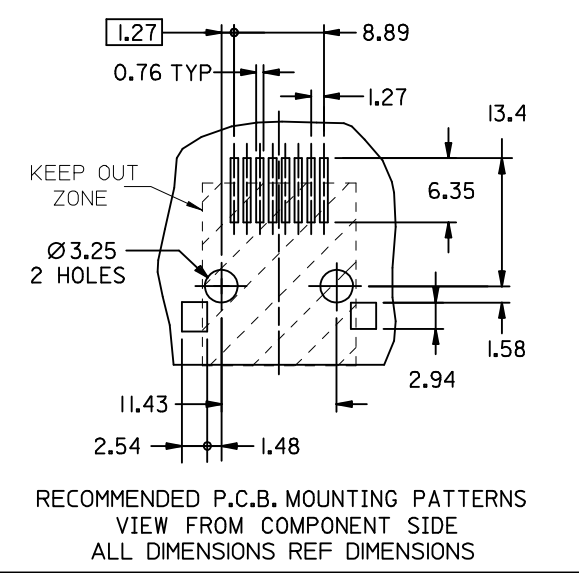


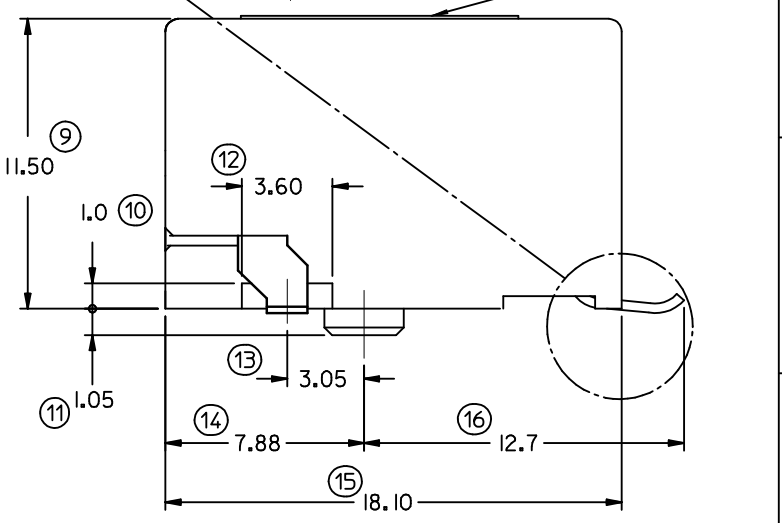
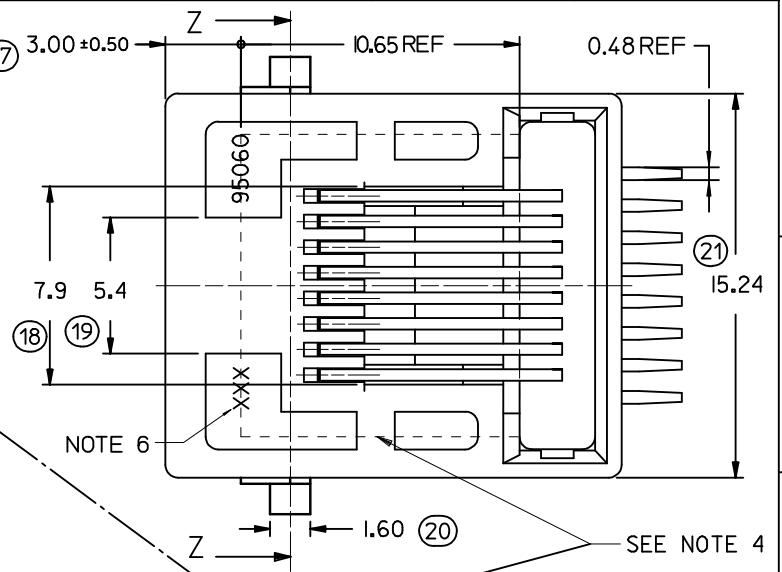
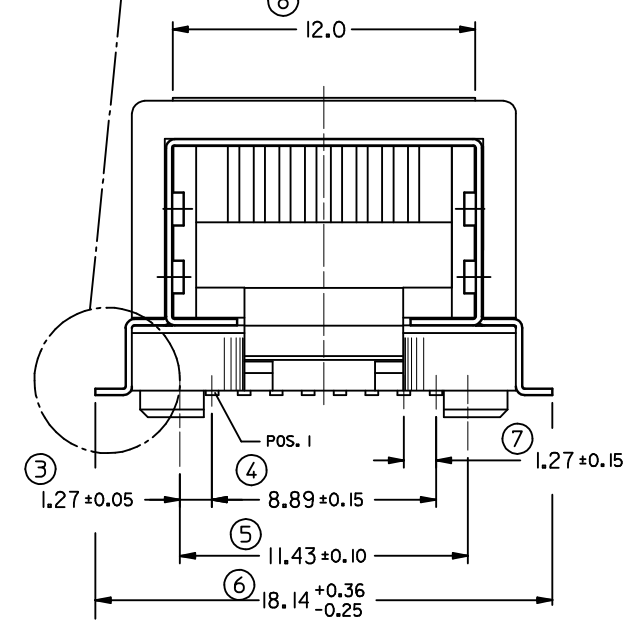
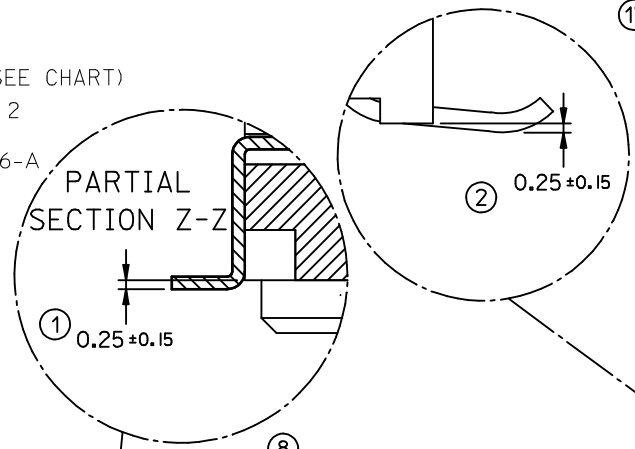
NOTES:

- 1- COPLANARITY OF LEADS : 0.10 MAX.
COPLANARITY OF SHIELD TABS: 0.10 MAX.
- 2- PACKAGING SPECIFICATION : BLISTER ON REEL (SEE CHART)
- 3- PRODUCT SPECIFICATION : MOLEX PS-95540-00 2
- 4- KAPTON ADHESIVE FOIL: 0.125 THICK.
- 5- JACK FOR MATING WITH IEC 60603-7 AND TIA-1096-A PLUGS 95043 MOLEX SERIES.
- 6- MANUFACTURING I.D. CAN BE EITHER MXF, MG OR MXI.
LAST INSPECTION NUMBER: 21



PACKAGING		
PART NUMBER	REEL SIZE	SPECIFICATION
95540-6886	330	PK-85502 SHT 1
95540-6888	559	PK-85502 SHT 3

MATERIAL:
 HOUSING: LCP GLASS FILLED UL 94V0, COLOR: BLACK
 TERMINAL: COPPER ALLOY PLATED WITH:
 BASE FINISH: NICKEL
 CONTACT SURFACE FINISH:
 GOLD
 OR
 GOLD FLASH OVER PALLADIUM NICKEL
 EXCEEDS PRODUCT REQUIREMENTS BASED ON PS-95540-002
 SHIELD: COPPER ALLOY PLATED WITH TIN



REMOVED OPTIONS	DESCRIPTION	QUALITY SYMBOLS
EC NO: IPG2012-0697	2012/04/02	▽=0
DRW:DBYR/ES	2012/04/17	∇=0
CHKD:FDUGAN	2012/06/26	
APPR:EFOLAN		

GENERAL TOLERANCES (UNLESS SPECIFIED)	
mm	INCH
4 PLACES ± ---	± ---
3 PLACES ± ---	± ---
2 PLACES ± 0.1	± ---
1 PLACE ± 0.15	± ---
ANGULAR ± 1/2°	

DIMENSION STYLE	
MM ONLY	
DRAWN BY	DATE
KNOLLER	04/06/18
CHECKED BY	DATE
FCARABET	04/06/28
APPROVED BY	DATE
KNOLLER	04/06/29
MATERIAL NO.	
SEE CHART	
SIZE	A3

SCALE	DESIGN UNITS	THIRD ANGLE PROJECTION
5:1	METRIC	⊙
TITLE		
RIGHT ANGLE LOW PROFILE SHIELDED PC JACK (SURFACE MOUNT VERSION)		
MOLEX INCORPORATED		
DOCUMENT NO.		SHEET NO.
SD-95540-001		2 OF 3
THIS DRAWING CONTAINS INFORMATION THAT IS PROPRIETARY TO MOLEX INCORPORATED AND SHOULD NOT BE USED WITHOUT WRITTEN PERMISSION		