

THIS DRAWING IS UNPUBLISHED.

RELEASED FOR PUBLICATION

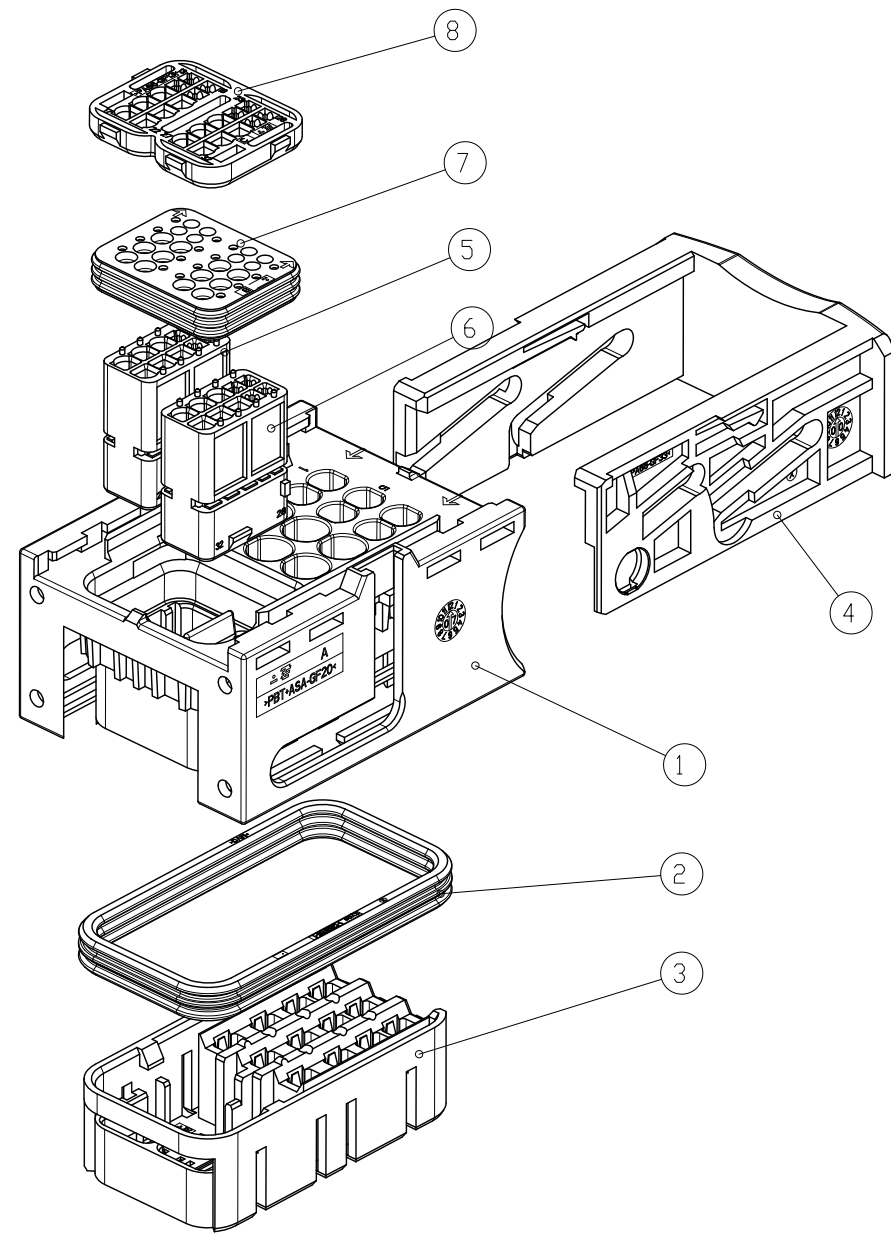
© COPYRIGHT

ALL RIGHTS RESERVED.

LOC	DIST
DS	

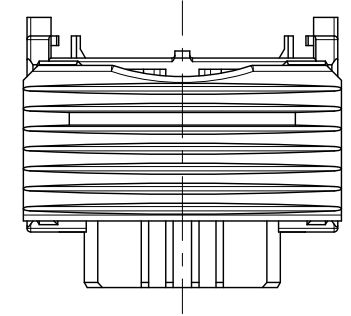
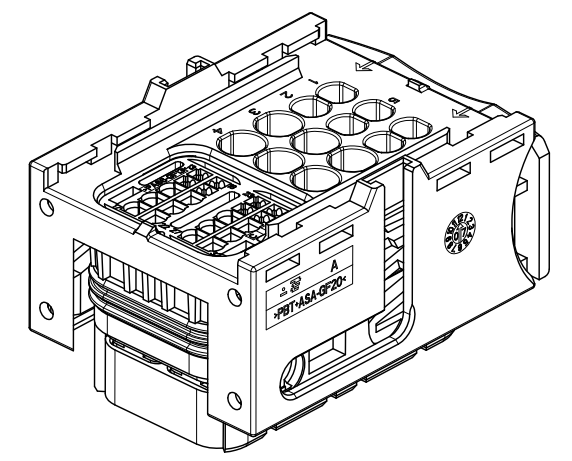
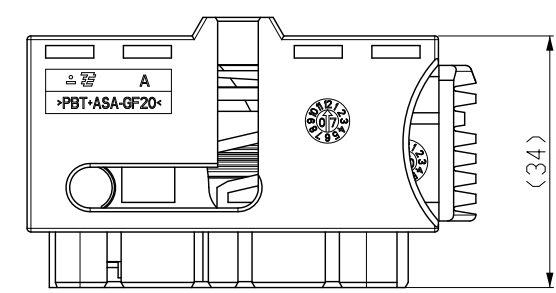
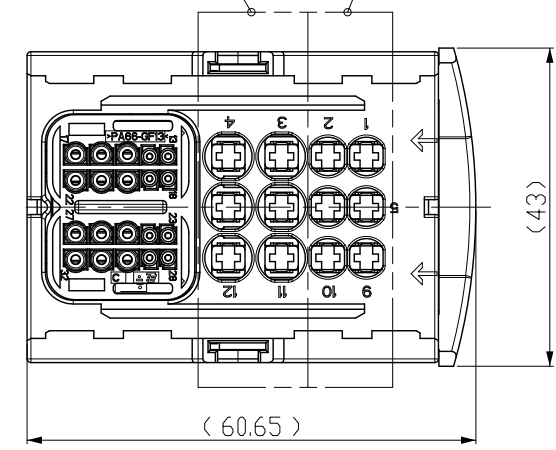
REVISIONS

P	LTR	DESCRIPTION	DATE	DWN	APVD
	B	REVISED (ECR-11-023807)	28.DEC.'11	YH	HG
	C	REVISED (ECR-12-010482)	05.APR.'12	YH	HG
	C1	REVISED (ECR-13-006743)	22.APR.'13	YH	HG



① MCP 2.8 TERMINAL(6X) IN THIS AREA  
 WIRE SIZE RANGE 2.0~3.0mm<sup>2</sup> (INSULATION 2.6~3.7mm)

① MCP 2.8 TERMINAL(6X) IN THIS AREA  
 WIRE SIZE RANGE 0.5~2.5mm<sup>2</sup> (INSULATION 1.4~3.0mm)



Notes

- 1. SUITABLE RETAINERS: 2005216, 2005222
- 2. SUITABLE CONTACTS : SEE TABLE

CONTACT NAME	WIRE SIZE RANGE (mm <sup>2</sup> )	DIAMETER OF INSULATION (mm)	TERMINAL PART NUMBER	SING WIRE SEAL	CAVITY PLUG	USED CIRCUIT NO.
MQS	0.35~0.5	∅ 1.4~ ∅ 1.6	968220(2005119)	N/A	1897421-2	ALL OF 0.63TAB
	0.5~0.75	∅ 1.6~ ∅ 1.9	968221(2005120)	N/A		
MQS 1.5	0.5	∅ 1.6~ ∅ 1.7	① 1452158	N/A	1897422-1	ALL OF 1.5TAB
	0.75~1.5	∅ 1.7~ ∅ 2.4	1241608	N/A		
MCP 2.8	0.5~1.0	∅ 1.4~ ∅ 2.1	968855	828904-1	828922-1	1,2,5,6, 9,10
	1.5~2.5	∅ 2.2~ ∅ 3.0	968857	828905-1		
	2.0~2.5	∅ 2.6~ ∅ 3.1	① 968857	828985-1		
3.0	∅ 3.0~ ∅ 3.7	968859	828986-1		3,4,7,8, 11,12	

NO	FINISH/COLOR	MATERIAL	DESCRIPTION	QTY
⑧	BLACK	PA66-GF13	SEAL HOLDER HSG	1
⑦	RED-BROWN	SILICONE	FAMILY SEAL	1
⑥	BROWN	PA66-GF13	REC. HSG COD. B	1
⑤	BLACK	PA66-GF13	REC. HSG COD. A	1
④	BLACK	PA66-GF30	SLIDE	1
③	BLACK	PBT+ASA-GF20	CAVITY BLOCK	1
②	NATURAL	SILICONE	SEALING	1
①	BLACK	PBT+ASA-GF20	CARRIER HOUSING	1

ASS'Y P/N  
2005217-2

THIS DRAWING IS A CONTROLLED DOCUMENT.

DWN YH MA  
CHK KT LIM  
APVD HG CHD

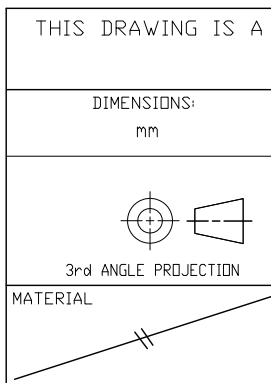
**TE** TE Connectivity

NAME: MQS/1.5mm/2.8mm TCU 32P PLUG ASS'Y

PRODUCT SPEC  
APPLICATION SPEC  
WEIGHT

SIZE: A3 CAGE CODE: 00779 DRAWING NO: 2005217 RESTRICTED TO

CUSTOMER DRAWING SCALE: 1:1 SHEET 1 OF 1 REV C1



TOLERANCES UNLESS OTHERWISE SPECIFIED:  
 ± DECIMALS: ±0.5  
 ± ANGLES: ±3°

PLC 1, 2, 3, 4