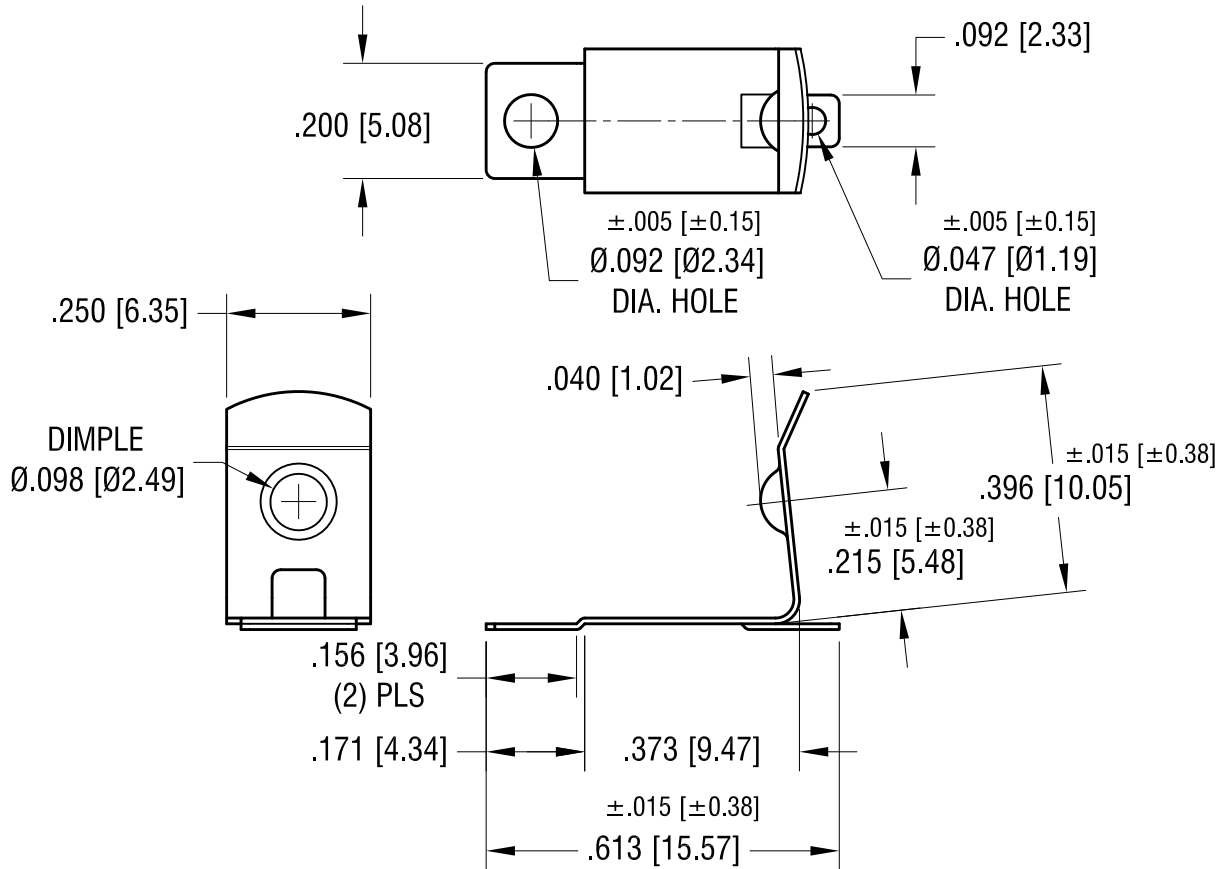
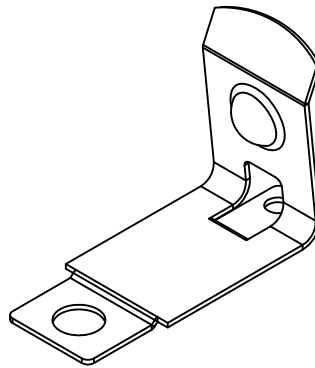
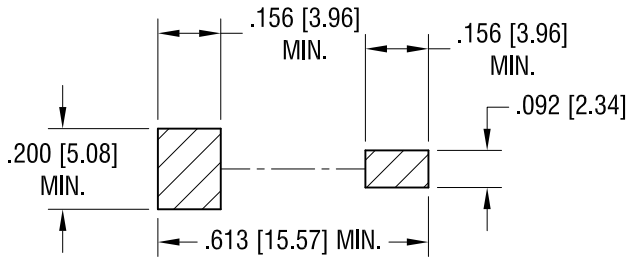


THIS DOCUMENT IS THE PROPERTY OF KEYSTONE ELECTRONICS CORP. AND SHALL NOT BE REPRODUCED, DISTRIBUTED OR USED AS A BASIS FOR MANUFACTURE WITHOUT PRIOR WRITTEN PERMISSION FROM KEYSTONE ELECTRONICS CORP.

MOUNTING PAD LAYOUT



NOTE:

1. HEAT TREAT TO SPRING TEMPER.

| | | | |
|---|--------|------------------------|------------|
| KEYSTONE ELECTRONICS CORP. | | | |
| www.keyelco.com • ASTORIA, N.Y. 11105-2017 • Tel (718) 956-8900 | | | |
| PART NAME | | 'AAA' SMT BATTERY CLIP | |
| MATERIAL | | | |
| .010 [0.25] TH'K ANNEALED SPRING STEEL | | | |
| FINISH | | DRN BY | DATE |
| MATTE TIN PLATE | | NT | 8.10.09 |
| | | APP'D | SCALE |
| | | LN | 3X |
| TOLERANCES | INCH | [MM] | CODE |
| DECIMAL | ± .010 | [± 0.25] | C |
| ANGULAR | ± 1° | | DWG NO. |
| UNLESS OTHERWISE SPECIFIED | | | 556 |

| DATE | DESCRIPTION | REV. |
|------|-------------|------|
| | | |