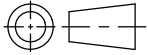
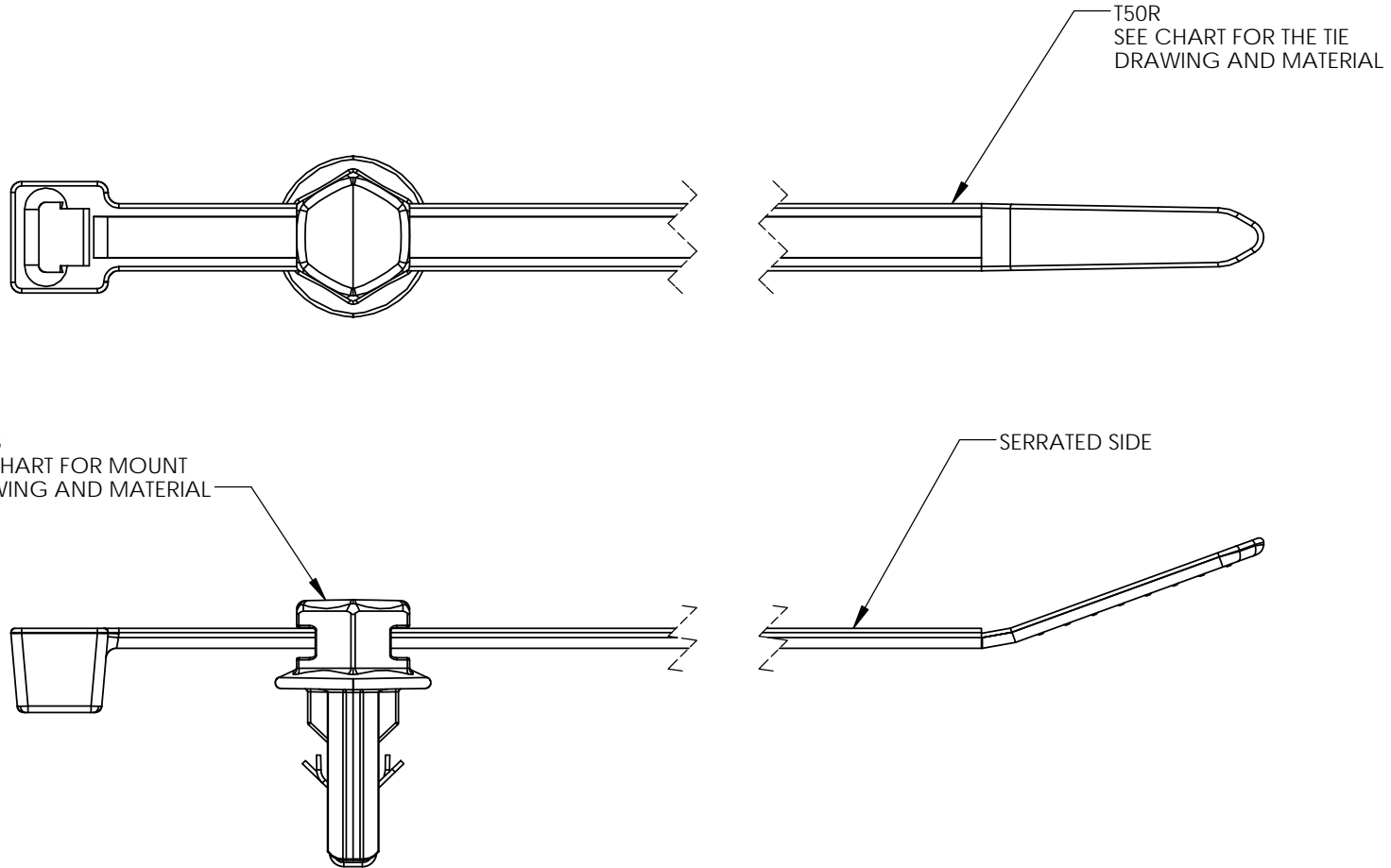


SW2015



Revision level			Revision Record	Changed	Date	Approved	Date
Drawing	State	Part					
00.4	Design Release	A	SEE ECN# 013519	CTF	8/11/2016	KAC	8/11/2016



TYPE	Bundle Range (mm)	Cable Tie		Mount	
		DRAWING	MATERIAL	DRAWING	MATERIAL
T50RBHMB	2.5 - 50	CT2050007CST	PA66HS	14-0969-030-CSU	PA66HS ZINC PLATED STEEL

Material
SEE CHART

Units: **millimeters**
 Dimension without tolerances details to:
 .XXX = ±.013
 .XX = ±.13
 .X = ±.3
 None = ±.8
 < = ±0.5°
 Dimension Formatted mm/[in]

The copyright of this drawing is reserved by HellermannTyton. It is issued on condition that it is not reproduced, copied, or disclosed to a third party, either wholly or in part, without the consent of HellermannTyton.

Drawn	CTF	8/11/2016
Approved	KAC	8/11/2016
HellermannTyton		
North America Email: corp@htamericas.com Web: www.hellermann.tyton.com		

Article/Type-No	SEE TABLE
Title	T50R CABLE TIE WITH BHMB BLIND HOLE MOUNT
Drawing-No	PRE-PRODUCTION : Phase 16-1307-010-CSU

Scale 2:1
 Project Number PRP 16-1307
 Format AH
 Sheet 1/1