

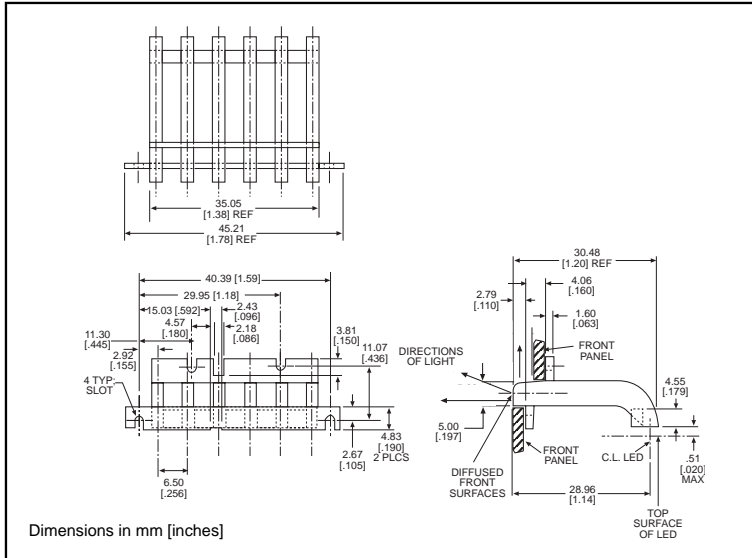


*micro***LED**® *Optopipe*™

Optical Light Pipe Illuminated Corner, 6 Array

Dialight

515-1041



Recommended MicroLED SMT LEDs for use with 515-1041

PART NO.	PAGE #
597-3xx1-2xx	1-21
597-3xx1-5xx	1-30
597-77x1-2xx	1-23 & 1-24
597-77x1-5xx	1-31

2

Features

- High transmissivity polycarbonate material
- UL94V-0 compliance
- ESD protection (circuit isolation from front panel)
- Wide viewing angle
- Arrays reduce insertion costs
- Secures to panel by heat staking

LED Data

For absolute maximum ratings and other electrical and optical data on the recommended LEDs, refer to LED data sheets.

Operating/Storage Temperature

-30°C to +100°C

Dialight *Optopipe* Light Pipe Description

This *Optopipe*™ illuminates the radiused corner of a plastic housing. The light pipe is heat staked to the case at the forked tabs at the front of the part. The light pipe is not attached to the PCB at any point but floats above it. The gently arcing end sticks through the plastic panel. The surface is textured to diffuse the light passing through it. The recommended light sources are Dialight's 597 Series PLCC-2 or PLCC-4 Type SMT LEDs. The SMT LEDs are mounted in a straight line under the rear of the part on a 6.50mm pitch. The light pipe material is water clear transmissive polycarbonate rated UL94-V0, and has a 35% oxygen index.

Dialight can provide custom *Optopipe*™ solutions for your applications.