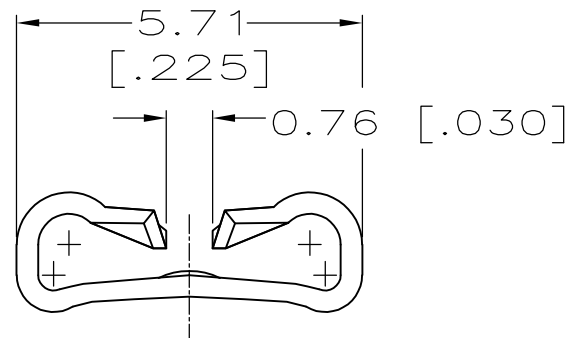
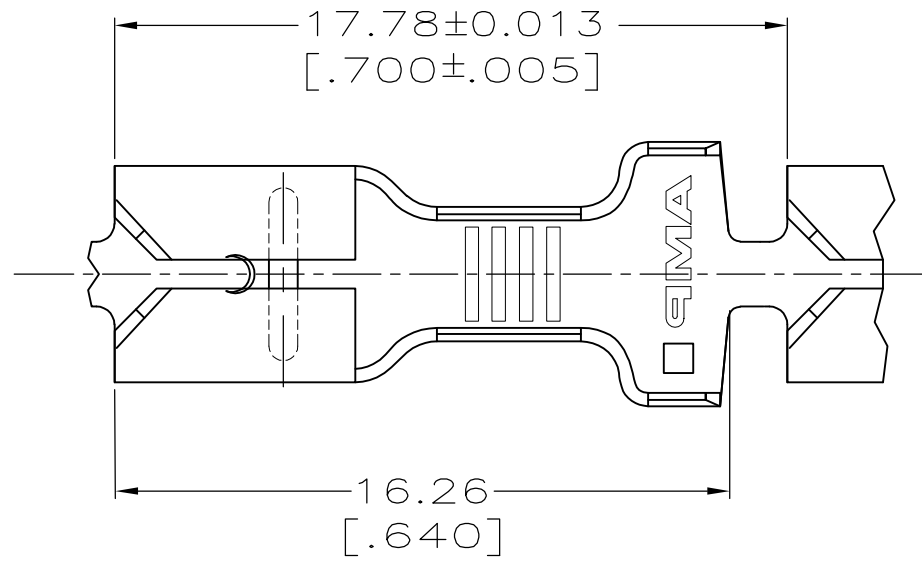


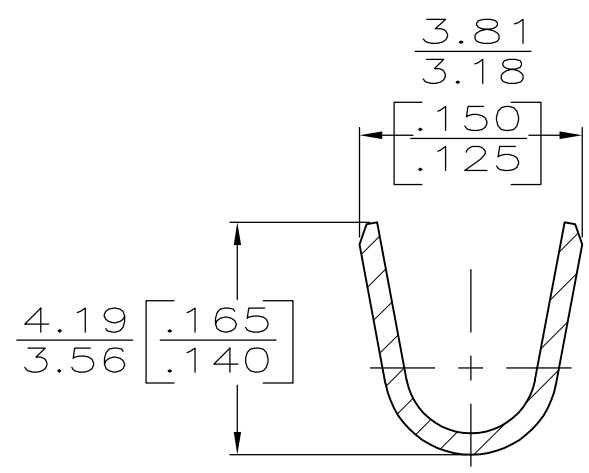
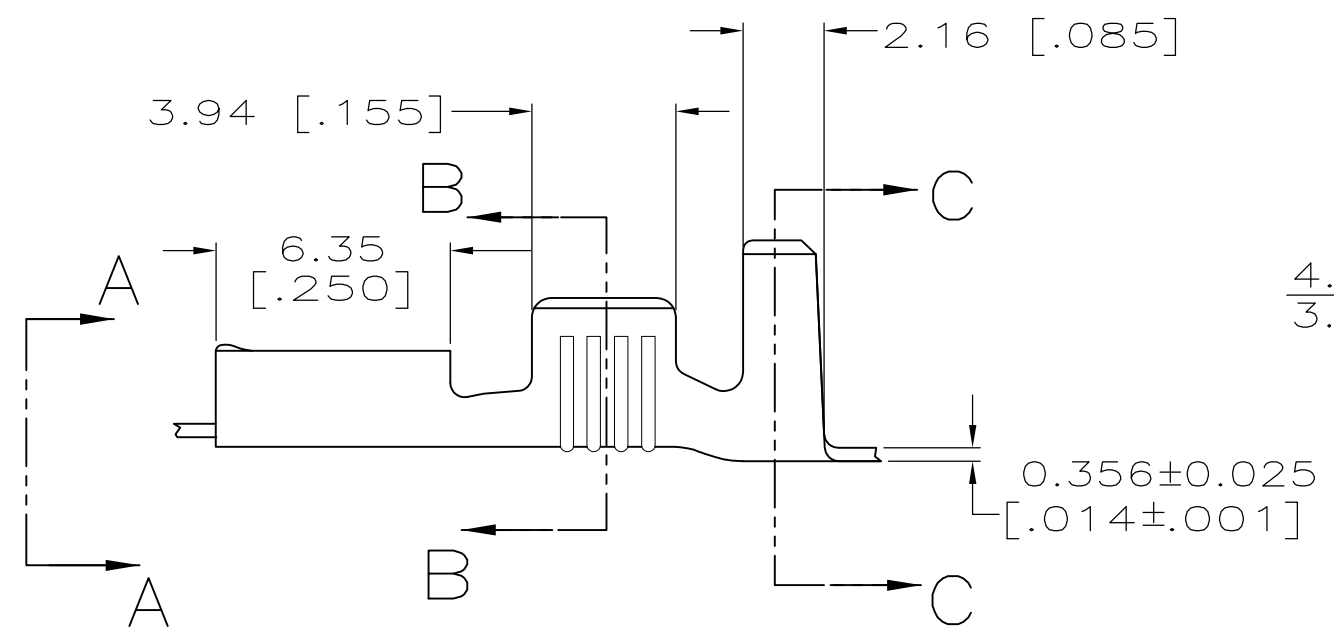
THIS DRAWING IS UNPUBLISHED. RELEASED FOR PUBLICATION
 © COPYRIGHT - By - ALL RIGHTS RESERVED.

LOC	DIST	REVISIONS			
P	LTR	DESCRIPTION	DATE	DWN	APVD
AF	50	E	REVISED PER ECR-12-013518	24NOV12	KH PD

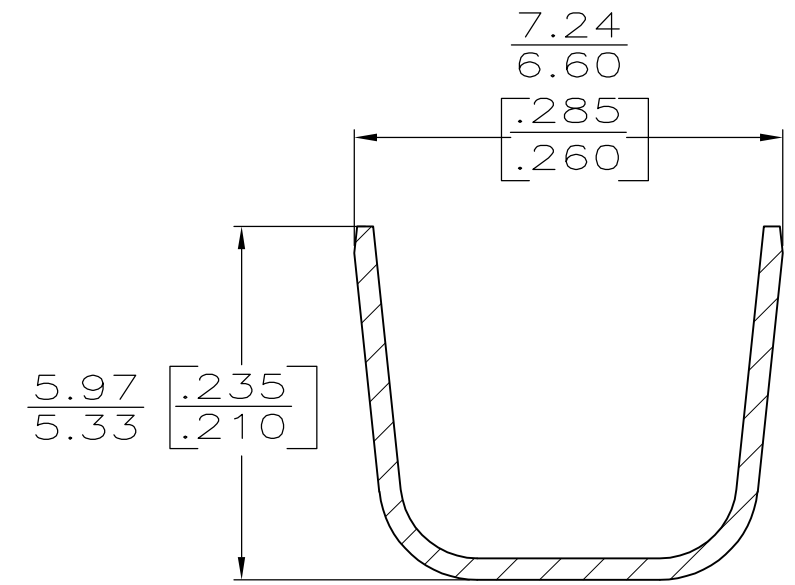
- 1 CONTINUOUS STRIP ON REELS.
 - 2 MATING TAB THK TO BE 0.635 ± 0.025 [.025 ± .001]
 - 3 WIRE SIZE IS [#18-#14]AWG, OR TWO [#16'S].
 - 4 INSULATION RANGE IS 4.57-5.84 TWO AT 2.79 MAX, [.180-.230] OR TWO AT [.110 MAX].
- 5 OBSOLETE PARTS: OBSOLETE CIS STREAMLINING PER D.RENAUD/D.SINISI



VIEW A-A
SCALE 8:1



SECTION B-B
SCALE 8:1



SECTION C-C
SCALE 8:1

5 OBSOLETE	TIN	63832-2
	FINISH	63832-1
	PART NUMBER	

THIS DRAWING IS A CONTROLLED DOCUMENT.		DWN	JR RUTH	3/17/95	TE Connectivity RECEPTACLE, FASTON,™ 4.75 [.187] SERIES
DIMENSIONS: mm [INCHES]		CHK	MS FEHER	3/17/95	
TOLERANCES UNLESS OTHERWISE SPECIFIED:		APVD	P DESANTIS	3/17/95	
0 PLC ± - 1 PLC ± - 2 PLC ± 0.25 [.010] 3 PLC ± - 4 PLC ± - ANGLES ± -		PRODUCT SPEC	-		
MATERIAL	BRASS	FINISH	SEE TABLE	APPLICATION SPEC	114-2036
		WEIGHT	-	SIZE	A3
		CUSTOMER DRAWING		CAGE CODE	00779
				DRAWING NO	C-63832
				RESTRICTED TO	-
				SCALE	5:1
				SHEET	1 OF 1
				REV	E