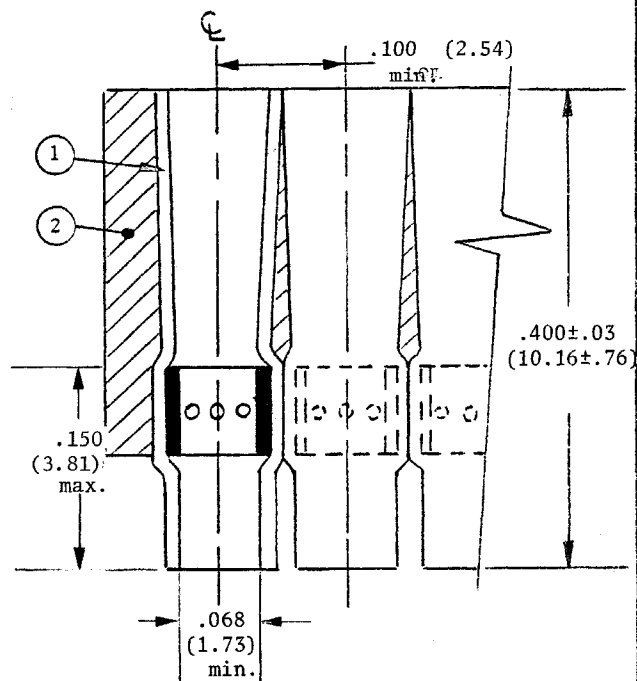
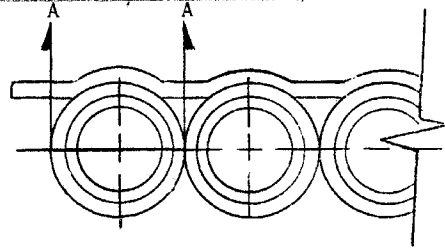


| REVISIONS |                         |         |          |
|-----------|-------------------------|---------|----------|
| LTR       | DESCRIPTION             | DATE    | APPROVED |
| B         | REVISED PER DCO# 01831  | 7/18/80 | Blain    |
| C         | REVISED PER ECN# T-3049 | 10-7-82 | 73       |

1. RAYCHEM SOLDER SLEEVE  
(20 per assembly)  
Transparent blue, radiation crosslinked polyvinylidene fluoride containing a solder preform conforming to QQ-S-571 type Sn 63 S RMAP 2.
2. CARRIER STRIP  
Adhesive coated high temperature tape.



NOTES:

- a. This assembly is designed for use with a Raychem AS-4000 Series Wire Organization System to terminate wires to a Raychem SEM Connector. The wire shall have 30 - 24 gauge silver or tin plated conductors and insulation rated for at least 125°C, the O.D. over the jacket shall be .025 and .068.
- b. Temperature rating of terminator: -65°C to +125°C.
- c. Insulation sleeve will recover to .030, max. I.D.
- d. Acceptance sampling shall be in accordance with Inspection Level I of MIL-STD-105. The acceptable quality level (AQL) shall be 4.0.

If this document is printed it becomes uncontrolled.  
Check with the web for latest revision.

© 1978 RAYCHEM CORPORATION

CONNECTORS SPECIFICATION CONTROL DRAWING

|                                                                                                    |  |                                      |  |             |  |                                                                                     |  |
|----------------------------------------------------------------------------------------------------|--|--------------------------------------|--|-------------|--|-------------------------------------------------------------------------------------|--|
| DO NOT SCALE THIS DRAWING                                                                          |  | DRAWN <i>CLS</i>                     |  | RAYCHEM     |  | RAYCHEM CORPORATION<br>300 CONSTITUTION DRIVE<br>MENLO PARK, CALIFORNIA 94025       |  |
| UNLESS OTHERWISE SPECIFIED DIMENSIONS ARE IN INCHES AND TOLERANCES ARE:<br>.XXX ±<br>.XX ±<br>.X ± |  | CHECKED                              |  |             |  | TITLE<br>Solder Sleeve Wire Terminator Assembly<br>24 - 30 Gauge Wire/SEM Connector |  |
| MATERIAL                                                                                           |  | APPROVED <i>[Signature]</i> 11/13/79 |  | SIZE        |  |                                                                                     |  |
|                                                                                                    |  | APPROVED <i>[Signature]</i> 10/31/78 |  | A           |  | CTA-0050                                                                            |  |
| FINISH                                                                                             |  | PART NO.                             |  | CODE IDENT. |  | WEIGHT                                                                              |  |
|                                                                                                    |  | PROJECT 6448-7029                    |  | NO. 06090   |  | SHEET 1 OF 1                                                                        |  |