



**Technical specification:**

Rated voltage: 160 V  
IEC 61076-2-101

Current rating: 4 A at 40°C  
IEC 61076-2-101

Insulation resistance: >=100 MΩ  
IEC 60512

Pollution degree: 3/2  
IEC 60664-1

Degree of protection: IP 67, in mated condition  
IEC 60529

Temperature range: -30°C ... +70°C

Mating cycles: >=100  
IEC 60512-9a

**Materials:**

Contact: CuZn

Contact plating: Nickel, gold plated

Contact carrier: PBT GF, UL 94

Sealing connector:  
chassis: FPM  
NBR

Counternut: CuZn, nickel plated

Socket housing: CuZn, nickel plated

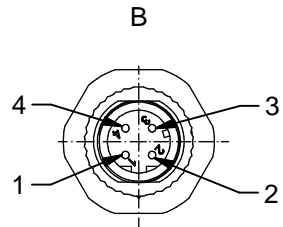
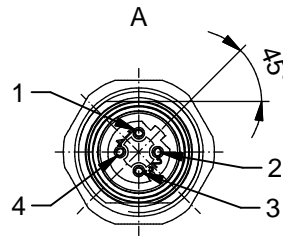
Coupling screw: GD-Zn, nickel plated

Moulding body: TPU, UL 94, grey

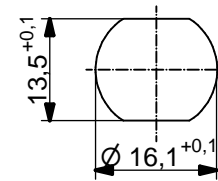
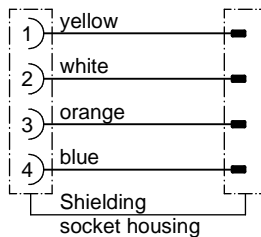
**Installation specification:**

Recommended torque:  
- socket: 1-1,2 Nm  
- coupling screw: 0,6 Nm

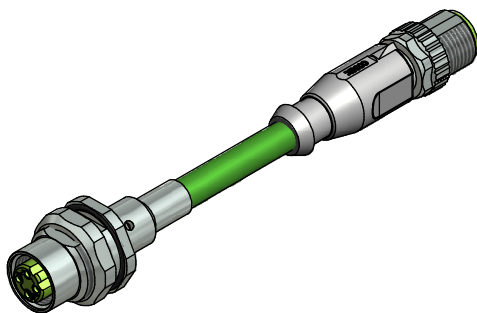
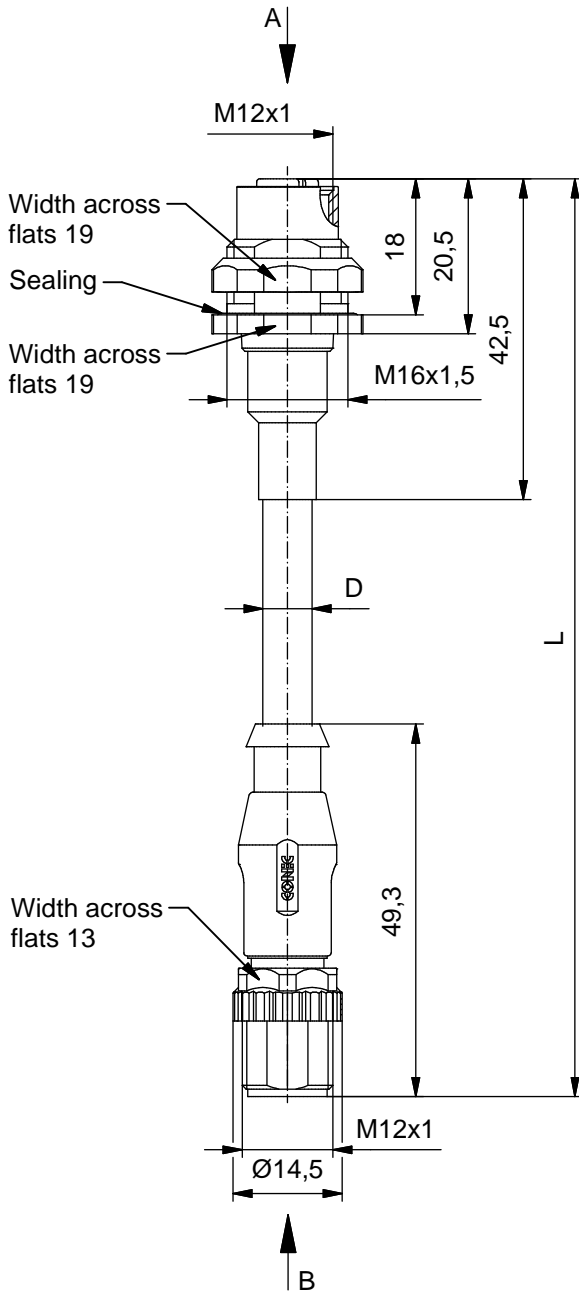
Conec installation tool: Torque wrench:  
36-000200  
Insert across flats 13:  
36-000220  
Insert across flats 19:  
36-000250



**Contact assignment:**



Minimum wall thickness 1,5mm, alternativ panel cut-out d=16,1



D see data sheet cable

Part no:	Description:	Length L:	Cable:
43-01672	SAL - 12D - FKH4.2 - RS4.2 - 0,5 / G6	0,5m	TPU, UL, green, 4xAWG22 Cable: 781-G63400
43-01673	SAL - 12D - FKH4.2 - RS4.2 - 1 / G6	1m	
43-01674	SAL - 12D - FKH4.2 - RS4.2 - 2 / G6	2m	
43-xxxxx	SAL - 12D - FKH4.2 - RS4.2 - ... / G6	x	

DO NOT ALTER CAD DRAWING BY HAND Directive 2002/95/EC RoHS compliant	Index: a 07.12.12 MG Ä4555 Technical specification changed, materials corrected	dim. in mm		
	tolerance of cable: L <= 4m: L + 40mm L > 4m: L + 1%	drawn	23.09.10	Fromm
		appd.	23.09.10	W.Schmidt
	general tolerance:	0 ± 0,50mm 0,0 ± 0,25mm 0,00 ± 0,10mm	<b>CONEC</b> ®	
THIS DRAWING MAY NOT BE COPIED OR REPRODUCED IN ANY WAY, AND MAY NOT BE PASSED ON TO A THIRD PARTY WITHOUT WRITTEN PERMISSION. OWNERSHIP AND COPYRIGHT OF CONEC GmbH				

title: <b>Connecting cable M12x1, female socket, backmounting - male connector axial, Ethernet 100MHz</b>
dwg no: <b>43K1A1191</b>
part no: <b>see table</b>

