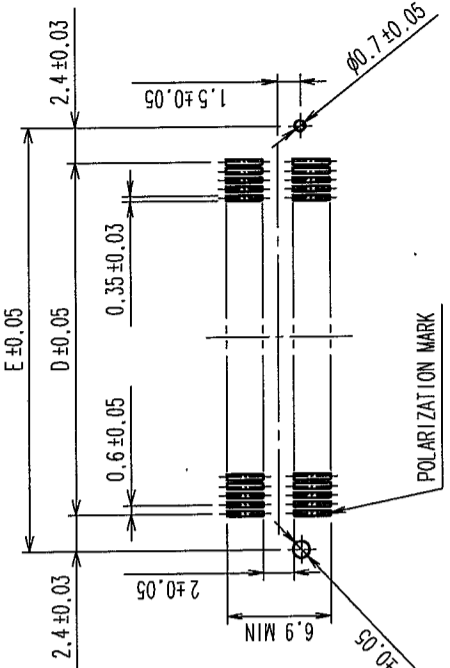


COUNT	DESCRIPTION OF REVISIONS	BY	CHKD	DATE	COUNT	DESCRIPTION OF REVISIONS	BY	CHKD	DATE
3	RE-F-09671	K.N	H.Y	04.04.08					

RECOMMENDED LAND PATTERN DIMENSION OF P.C.B. (MOUNTING SIDE)



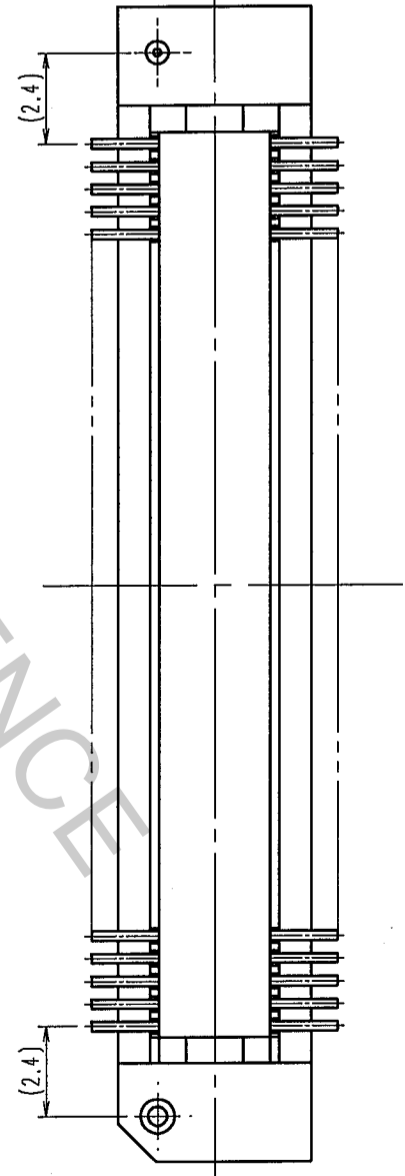
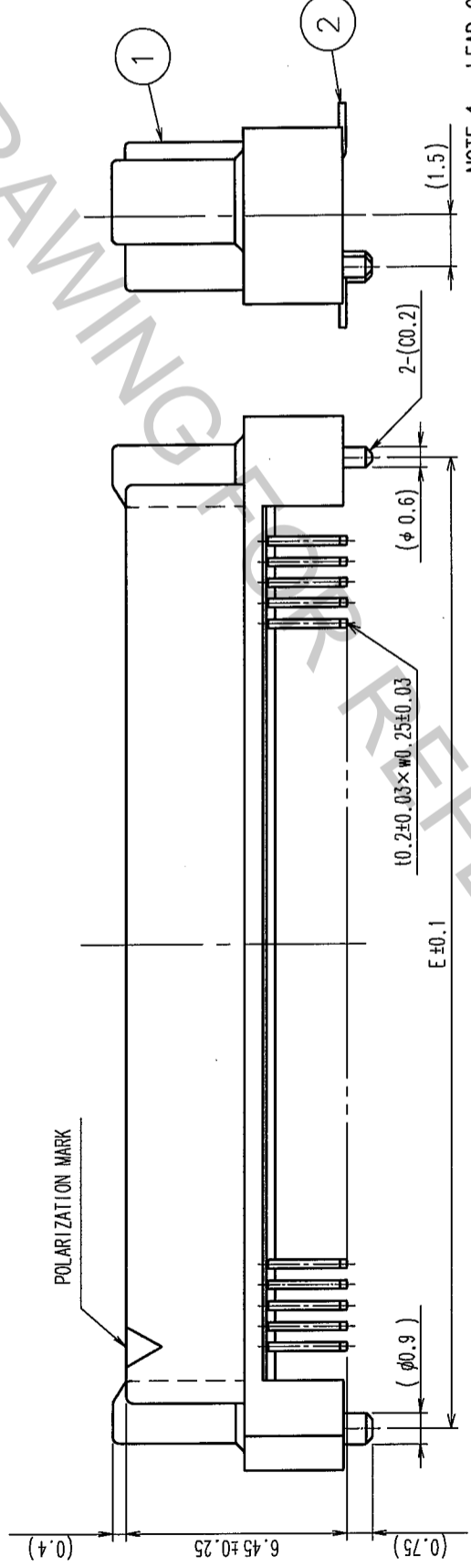
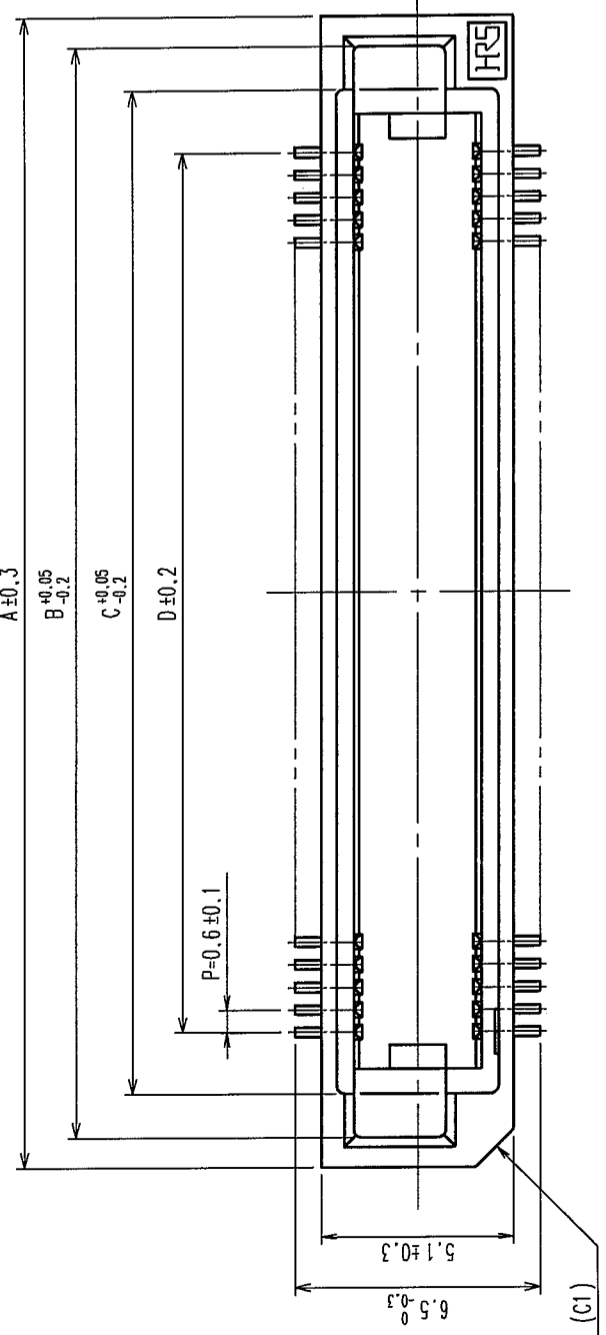
DIMENSION TABLE OF CONNECTOR AND P.C.B. LAND PATTERN.

PART No.	CODE No.	6	7	A	B	C	D	E
FX8C-60P-SV2(93)	CL578-0541-3-93	60	X	24.60	23.00	20.70	17.40	22.20
FX8C-80P-SV2(93)	CL578-0543-9-93	80	X	30.60	29.00	26.70	23.40	28.20
FX8C-100P-SV2(93)	CL578-0545-4-93	100	X	36.60	35.00	32.70	29.40	34.20
FX8C-120P-SV2(93)	CL578-0546-7-93	120	-	42.60	41.00	38.70	35.40	40.20
FX8C-140P-SV2(93)	CL578-0547-0-93	140	X	48.60	47.00	44.70	41.40	46.20

- NOTE 1. LEAD CO-PLANARITY SHALL BE 0.1mm MAX.
 2. EMBOSSED CARRIER TAPE PACKAGING SHALL BE APPLIED TO THIS PRODUCT.
 3. THIS PRODUCT HAS TAPE FOR VACUUM PICKUP.
 4. FOR MODIFICATION, ETC., PREVENTIVE HOLE FOR SINK MARK MAY BE ADDED ACCORDING TO CIRCUMSTANCES.
 5. THE DIMENSIONS IN PARENTHESES ARE FOR REFERENCE.

6 NUMBER OF CONTACTS.
 7 EXISTENCE
 X: PRODUCED, -: NO PRODUCED

NO.	MATERIAL	FINISH, REMARKS	NO.	MATERIAL	DESIGNED	CHECKED	APPROVED	RELEASED	
1	PPS	LIGHT BROWN (UL94V-0)	2	PHOSPHOR BRONZE	K. NAKAMURA	H. OKAWA	Y. YOSHIMURA		
CODE NO. (OLD)		CL		DRAWN		S. SUZUKI		03.02.04	
SCALE		FREE		PART NO.		FX8C-**P-SV2(93)			
UNITS		mm		DRAWING NO.		EDC3-151088-23			
				CODE NO.		CL578			



TO	
PCK	

