

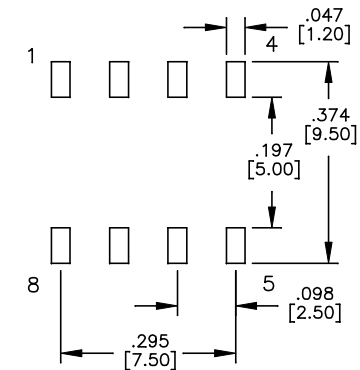
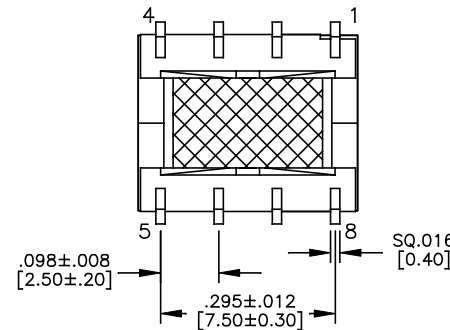
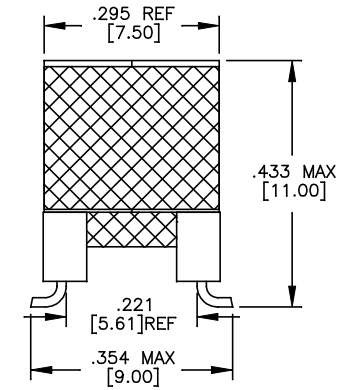
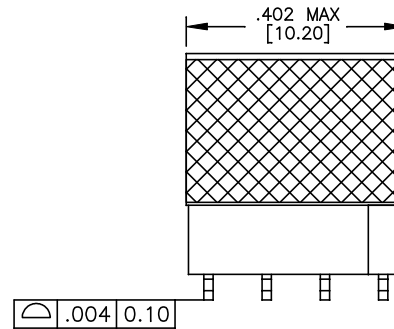
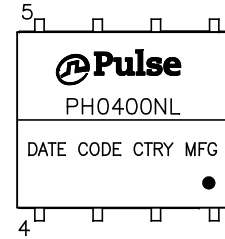
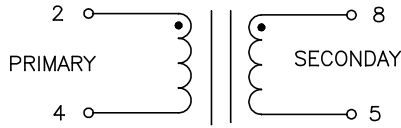
PH0400NL

NOTICE: THE INFORMATION AND DESIGN CONTAINED HEREIN IS THE PROPERTY OF PULSE WHO RESERVES ALL RIGHTS THERETO.

TEST NOTES:

UNLESS OTHERWISE SPECIFIED, TESTING IS PERFORMED AT 25 ±5°C.
 TURNS RATIO LIMITS ARE SPECIFIED AS MEASURED WITH UNGAPPED CORES.

1. TURNS RATIO(100%): AT 100 KHz, 0.100 VRMS
 (8-5) : (2-4) = 2.5 : 1 ±3%
2. INDUCTANCE(100%): AT 100 KHz, 0.100 VRMS
 (2-4) = 2.5 uH ± 10%
 (2-4) = 1.75 uH MIN AT 8.5 ADC
3. LEAKAGE INDUCTANCE(100%): AT 100 KHz, 0.100 VRMS
 (2-4) WITH (8,5) SHORTED = 150 nH MAX
4. DCR(100%):
 (2-4) = 40 mOHM MAX
 (8-5) = 90 mOHM MAX
5. HIPOT(100%):
 (2,4) TO (8,5) = 500 VAC FOR 1 MIN
6. ALL PIN LENGTH DON'T INCLUDE TIN ICICLE.



FINAL OUTLINE

UNLESS OTHERWISE SPECIFIED, ALL DIMENSIONS ARE IN INCHES
 TOLERANCES ARE:
 DECIMALS ANGLES
 .XX ±.01 ± 1°
 .XXX ±.005
 DO NOT SCALE DRAWING

SUGGESTED LAND PATTERN

SIZE	CAGE CODE	DWG. NO.	REV
B01961		PH0400NL	10
SCALE	CADD FILE	SHEET 3 OF 3	
NONE	PH0400NL-3		