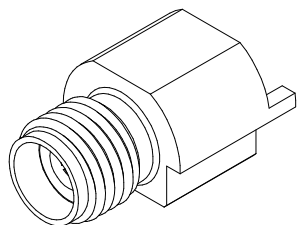
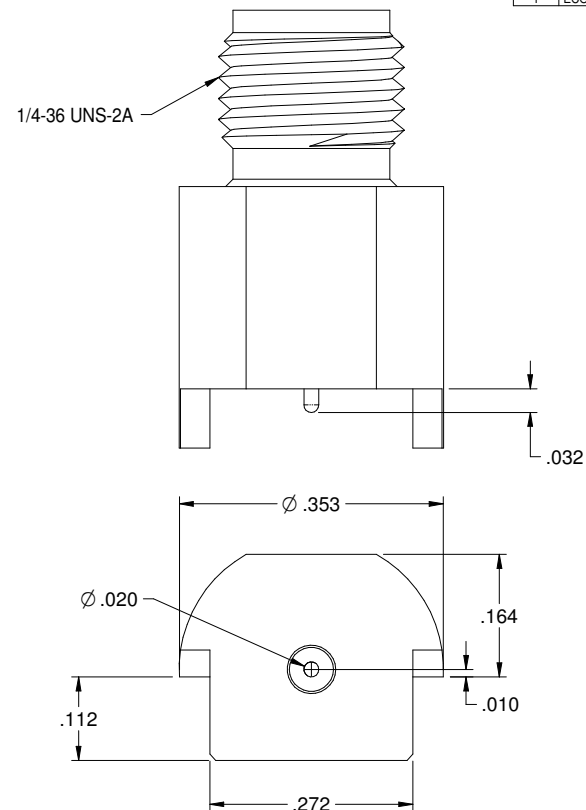
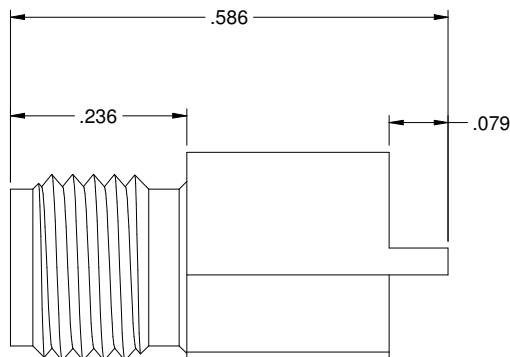


PART NUMBER	ITEM ① BODY	ITEM ② CONTACT	ITEM ③ INSULATOR
145-0701-811	BRASS GOLD PL. .00005 MIN. OVER NICKEL PL. .00005 MIN OVER COPPER PL.00005 MIN	BERYLLIUM COPPER GOLD PL. .00005 MIN OVER NICKEL PL. .00005 MIN OVER COPPER PL.00005 MIN	TEFLON

REV	ECO	DATE
1	ECO-17-0030	10/17/2017



5:1



**SPECIFICATION:**

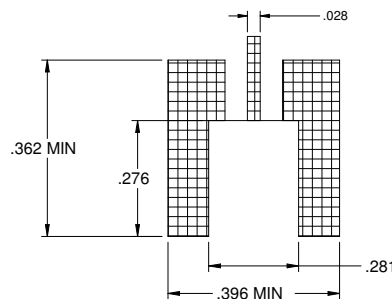
IMPEDANCE: 50 OHMS  
 FREQUENCY RANGE: 0-40 GHz  
 VSWR: 1.5 MAX  
 INSERTION LOSS: 0.05 √F dB MAX (F IN GHz)  
 WORKING VOLTAGE: 250 VRMS MAX AT SEA LEVEL  
 DIELECTRIC WITHSTANDING VOLTAGE: 1000VRMS MIN AT SEA LEVEL  
 INSULATION RESISTANCE: 5000 MEGOHM MIN  
 CONTACT RESISTANCE:  
   CENTER CONTACT - INITIAL 3 MILLIOHM MAX, AFTER ENVIRONMENTAL NOT APPLICABLE  
   OUTER CONDUCTOR - INITIAL 2 MILLIOHM MAX, AFTER ENVIRONMENTAL NOT APPLICABLE  
 RF LEAKAGE: -90dB TYPICAL AT 2.5GHz

**MECHANICAL:**

ENGAGEMENT/DISENGAGEMENT FORCE: 2 INCH-POUNDS MAX  
 CONTACT RETENTION: 6 LBS MIN AXIAL FORCE  
 MATING TORQUE: 7 TO 10 INCH-POUNDS  
 DURABILITY: 500 CYCLES MIN

**ENVIRONMENTAL:**

OPERATING TEMPERATUR: -40 TO 85°C  
 THERMAL SHOCK: MIL-STD-202, METHOD 107, CONDITION B  
 CORROSION: MIL-STD-202, METHOD 101, CONDITION B  
 SHOCK: MIL-STD-202, METHOD 213, CONDITION I  
 VIBRATION: MIL-STD-202, METHOD 204, CONDITION D  
 MOISTURE RESISTANCE: MIL-STD-202, MEHTOD 106



**RECOMMENDED PCB LAYOUT**

NOTE: THIS PATTERN IS FOR REFERENCE ONLY.  
 PATTERN MAY VARY DEPENDING ON ASSEMBLY  
 PROCESS, BOARD TYPE, OR SPECIFIC ELECTRICAL OR  
 MECHANICAL REQUIREMENTS.

	Model No. 145-0701-811 SEE NOTE	RoHS2 2011/65/EU X ±0.2 X.XX ±0.1 X.XX ±0.07 ANGLES 12 DEG	Title: 292mm END LAUNCH JACK Drawing No. 145-0701-811 Date: 9/15/16 Size: C DO NOT SCALE DRAWING	Rev: 1 Sheet 1 of 1
	SEE NOTE	R.SHEN	145-0701-811	1