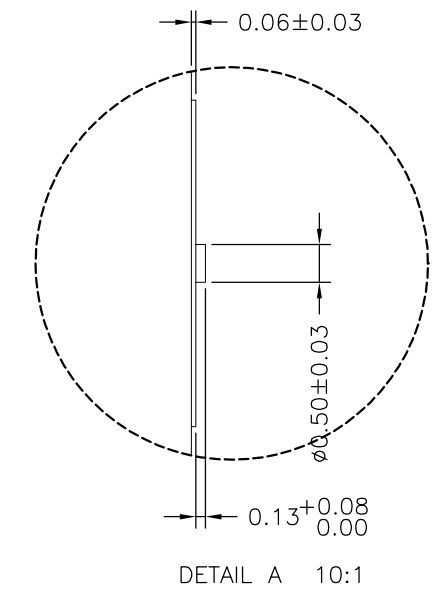
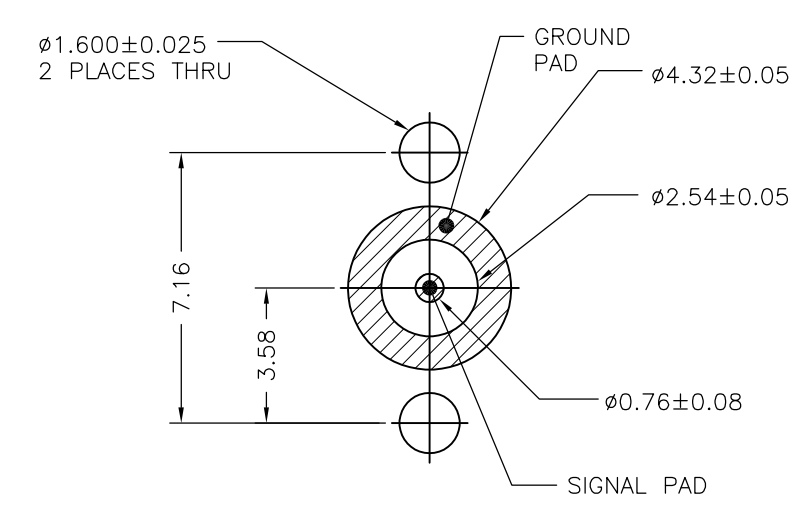
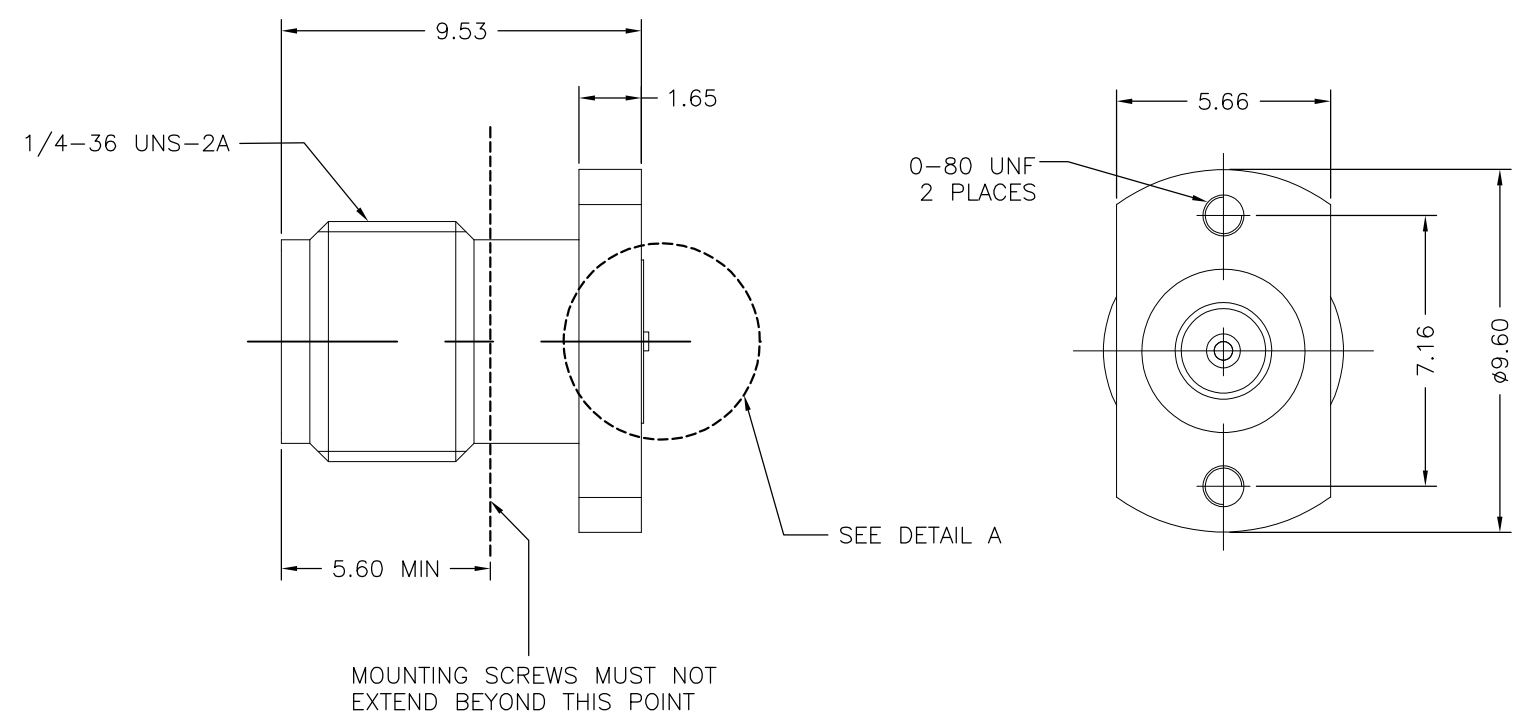


THIS DRAWING IS UNPUBLISHED. RELEASED FOR PUBLICATION  
 © COPYRIGHT - By - ALL RIGHTS RESERVED.

LOC		DIST		REVISIONS			
P	LTR	DESCRIPTION		DATE	DWN	APVD	
	A	RELEASE		27SEP2012	BL	MY	

NOTE:  
 MATERIAL AND FINISH  
 1. BODY: STAINLESS STEEL PASSIVATE  
 2. CENTER CONTACT: BERYLLIUM COPPER PLATED GOLD  
 3. DIELECTRIC: PTFE



619550-1  
 PART NUMBER

THIS DRAWING IS A CONTROLLED DOCUMENT.		DWN BING LIU 27 SEP 2012	<b>TE Connectivity</b>														
DIMENSIONS: mm		CHK RITA ZUO 27 SEP 2012															
TOLERANCES UNLESS OTHERWISE SPECIFIED:		APVD MARTIN YE 27 SEP 2012	NAME SMA JACK 2 H FLANGE														
<table border="1"> <tr><td>0 PLC</td><td>± -</td></tr> <tr><td>1 PLC</td><td>± 0.2</td></tr> <tr><td>2 PLC</td><td>± 0.10</td></tr> <tr><td>3 PLC</td><td>± -</td></tr> <tr><td>4 PLC</td><td>± -</td></tr> <tr><td>ANGLES</td><td>± 1</td></tr> </table>		0 PLC	± -	1 PLC	± 0.2	2 PLC	± 0.10	3 PLC	± -	4 PLC	± -	ANGLES	± 1	PRODUCT SPEC -	RESTRICTED TO -		
0 PLC	± -																
1 PLC	± 0.2																
2 PLC	± 0.10																
3 PLC	± -																
4 PLC	± -																
ANGLES	± 1																
MATERIAL SEE TABLE		APPLICATION SPEC -	SIZE A3	CAGE CODE 00779	DRAWING NO C-619550												
FINISH SEE TABLE		WEIGHT -	CUSTOMER DRAWING		SCALE 5:1												
			SHEET 1 OF 1		REV A												