

LOC	DIST	REVISIONS					
AI		P	LTR	DESCRIPTION	DATE	DWN	APVD
		A2		REVISED PER ECO-11-005294	06APR11	RK	HMR

Kundenzeichnung für  
PN 1393450-3

EC Nr. V23542-C1052-B102

siehe C-1411344


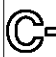
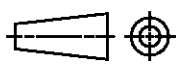
RELEASED FOR PUBLICATION

ALL RIGHTS RESERVED.

THIS DRAWING IS UNPUBLISHED.

BY



DIMENSIONS: mm		DWN <b>P. Spohr</b> 26.10.01	 TE Connectivity				
TOLERANCES UNLESS OTHERWISE SPECIFIED:		CHK <b>B. Leonhardt</b> 26.10.01					
<del>           0 PLC ±-            1 PLC ±-            2 PLC ±-            3 PLC ±-            4 PLC ±-            ANGLES ±-         </del>		APVD <b>S. Glaser</b> 26.10.01	NAME				
		PRODUCT SPEC	<b>52 pol. Abdeckkappe für 80 pol. Motorstecker</b>				
		APPLICATION SPEC					
		WEIGHT	SIZE A4	CAGE CODE 00779	DRAWING NO  1393450-3	RESTRICTED TO	
			CUSTOMER DRAWING		SCALE	SHEET 1 OF 1	REV A2