

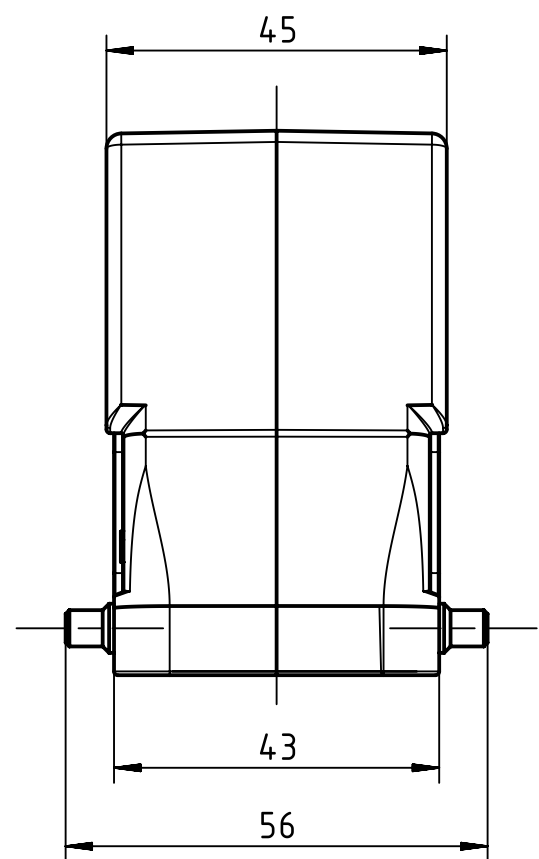
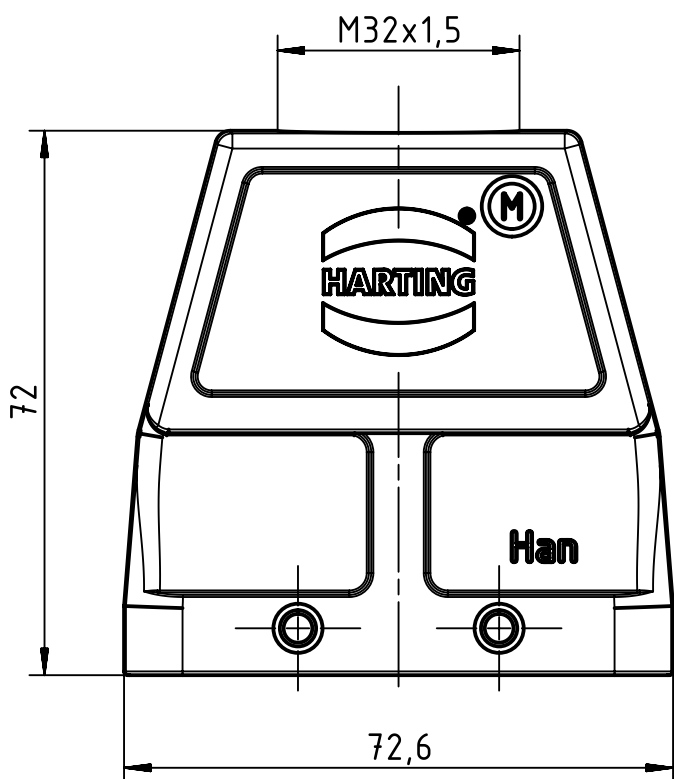
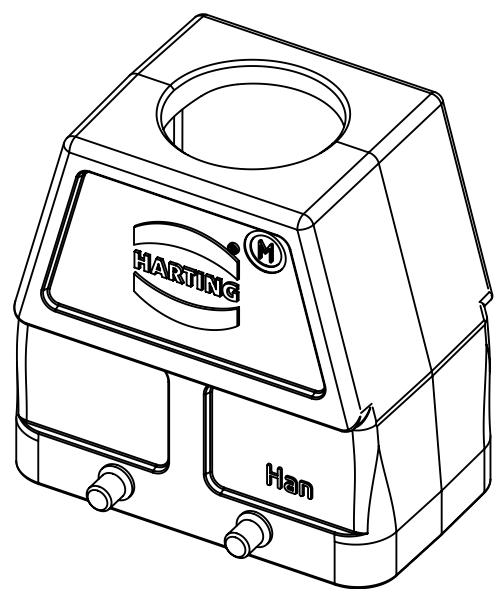
1 2 3 4 5 6

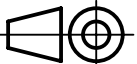

A

B

C

D



 All Dimensions in mm Original Size DIN A4	Scale	Free size tol.			Ref.
	1:1				Sub.
 All rights reserved Department EL PD - DE	Created by	Inspected by	Standardisation	Date	State
	SCHULZI	MOOR	TIEMANNA	2014-10-29	Final Release
HARTING Electric GmbH & Co. KG D-32339 Espelkamp	Title				Doc-Key / ECM-Nr. 100230009/UGD/002/C 500000081229
	Han 10EMC/B-HTE-M32 (HT)				
Type		Number		Rev.	Page
TB		19 62 810 0427		C	1/1