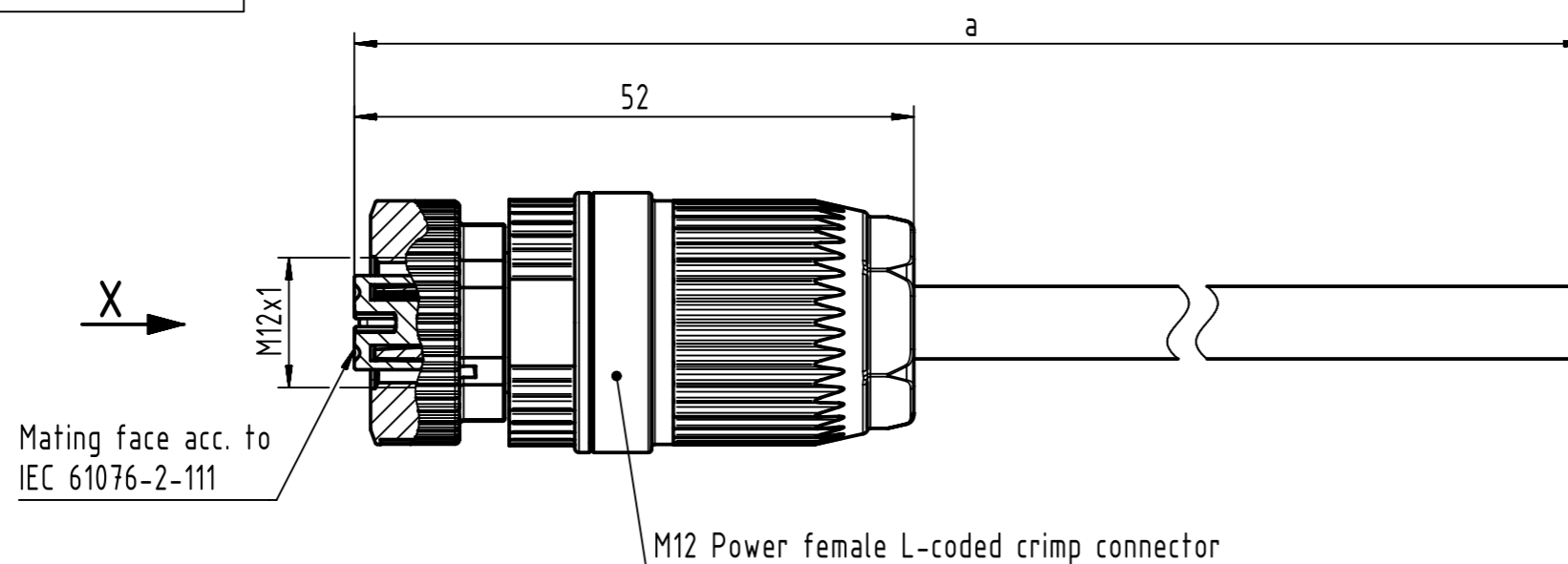


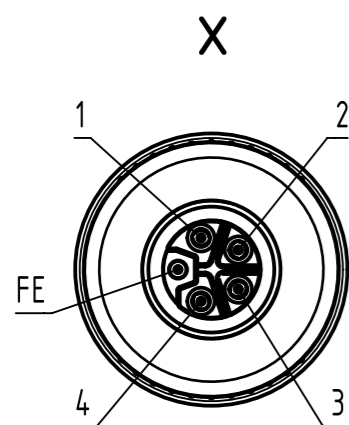
Connector Location A

Connector Location B



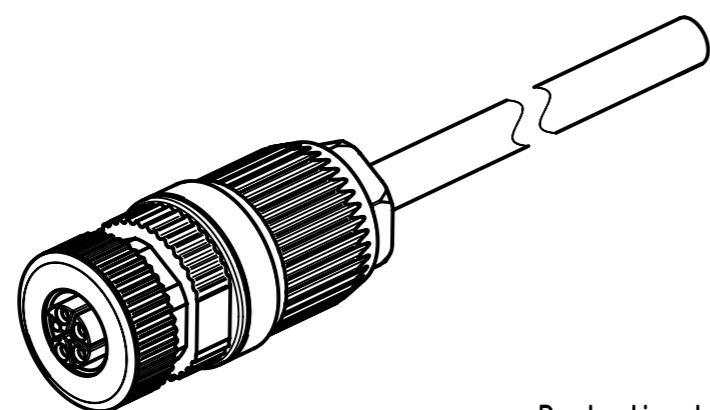
Mating face acc. to IEC 61076-2-111

M12 Power female L-coded crimp connector



Loading-Plan:

- 1 wire 1
- 2 wire 2
- 3 wire 3
- 4 wire 4
- FE wire 5



- Protection level: IP65/67
 - Temperature range: -40°C ... +80°C

length in "1m" step	100	XXX=000
	99	XXX=990
	.	.
	12	XXX=120
	11	XXX=110
length in "0.1m" step	10	XXX=100
	9.9	XXX=099
	9.8	XXX=098
	.	.
	.	.
	0.5	XXX=005
	0.4	XXX=004
	0.3	XXX=003
	0.2	XXX=002
Step	a[m]	XXX

6.0 to 100	±1%
0.6 to 5.9	+0.04
0.2 to 0.5	+0.02
a [m]	Tolerance

OZ-500, PVC grey, 5x2,5mm ²	2133A700524XXX
Type of cable	Part no.

All rights reserved Department HCS - RO HARTING Customised Solutions D-32427 Minden	All Dimensions in mm Tech. Character. Free size tol. According to production drawing 2017-02-03	Created by MUNTEANV Inspected by POPESCU Standardisation AVRAM Date 2017-02-09 State Final Release	Doc-Key / ECM-Nr. 100689101/UGD/001/B 500000115250 Rev. B Page 1/1
	Title M12 L-coded Cable Assembly Type TB Number 2133A700524XXX		