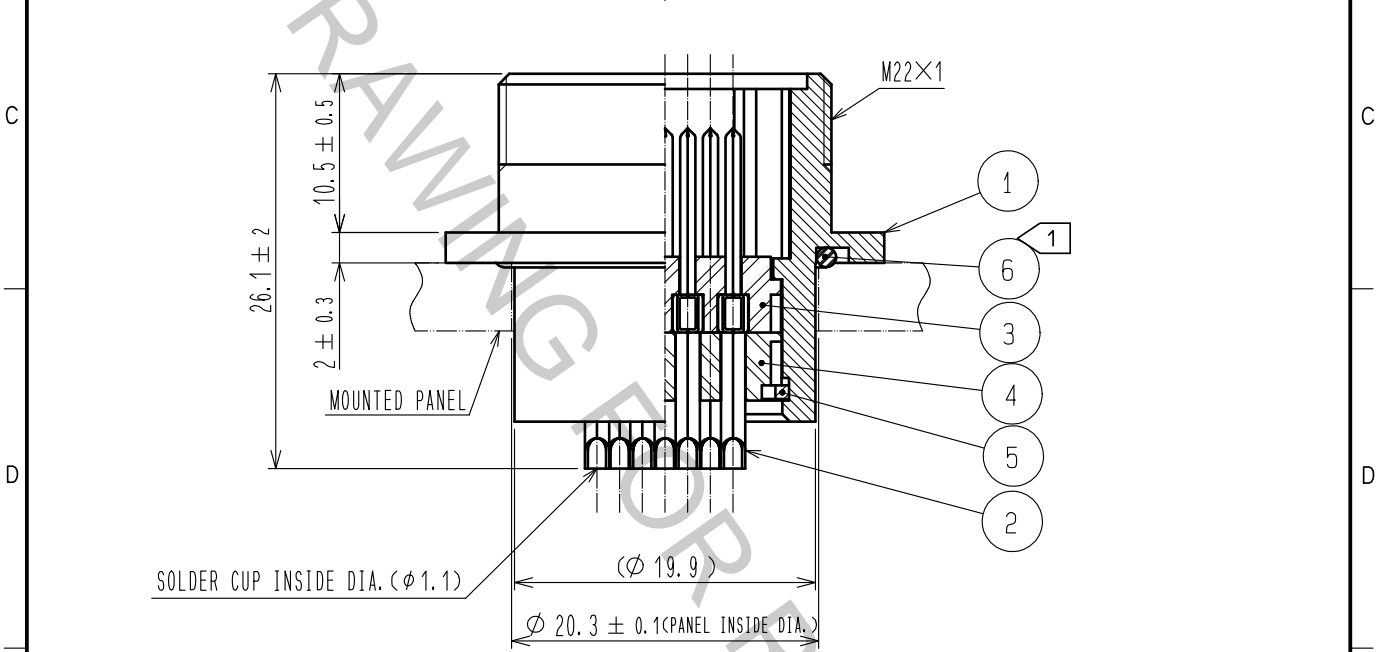
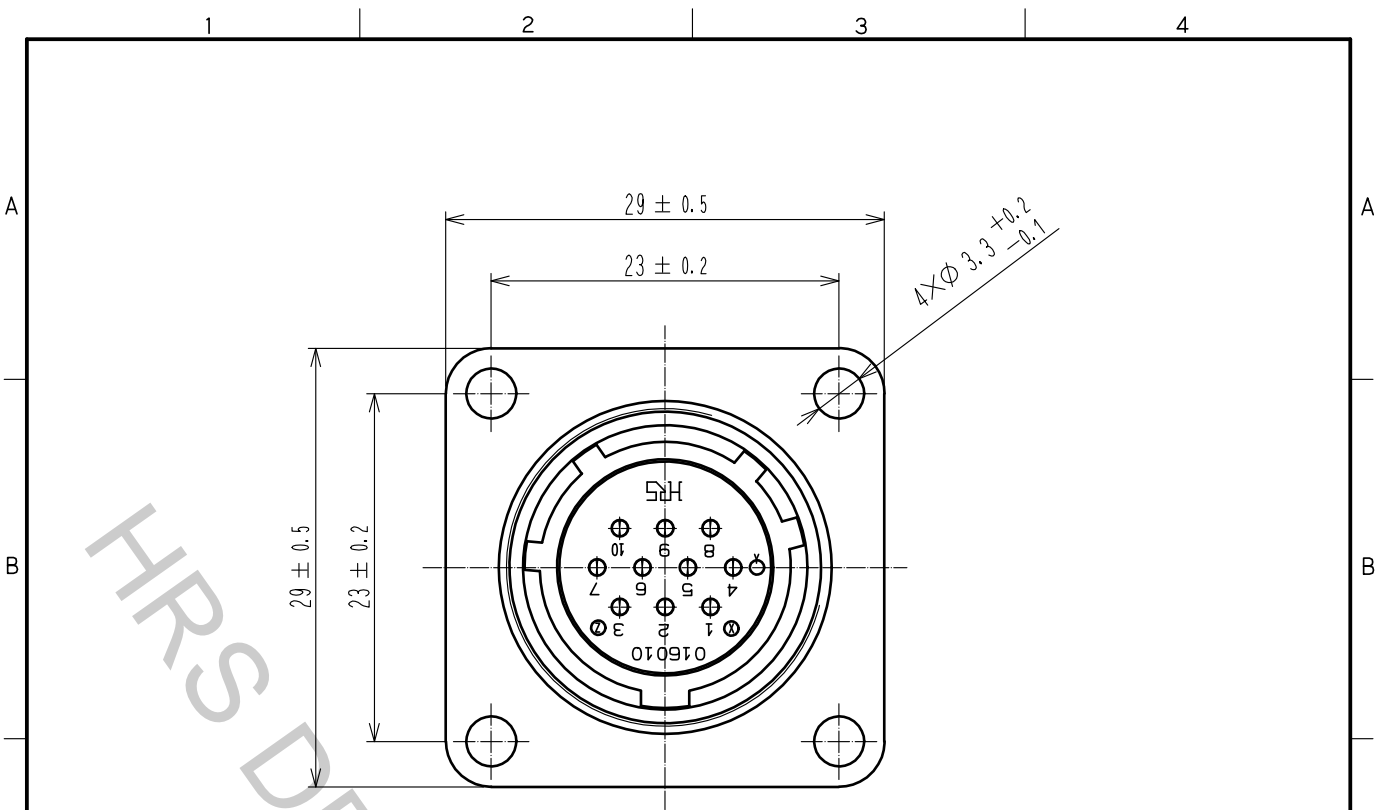


Aug.1.2018 Copyright 2018 HIROSE ELECTRIC CO., LTD. All Rights Reserved.  
 In case that the application demands a high level of reliability, such as automotive,  
 please contact a company representative for further information.



NOTE 1 WHEN MOUNTED ON CHASSIS, BE CAREFUL THAT REF. NO. ⑥ IS FITTED INTO THE INDICATES GROOVE ANY BITING.

3	PHENOL-FORMALDEHYDE	(BLACK) UL94V-0	6	ACRYLONITRILE BUTADIENE RUBBER	(BLACK)
2	COPPER ALLOY	SILVER PLATING $3 \mu\text{m}$ min.	5	PHOSPHOR BRONZE	NICKEL PLATING
1	ALUMINUM ALLOY	BLACK CHROME PLATING	4	PHENOL-FORMALDEHYDE	(BLACK) UL94V-0
NO.	MATERIAL	FINISH . REMARKS	NO.	MATERIAL	FINISH . REMARKS

UNITS mm		SCALE 2 : 1	COUNT 	DESCRIPTION OF REVISIONS	DESIGNED	CHECKED	DATE
-------------	--	----------------	-----------	--------------------------	----------	---------	------

HIROSE ELECTRIC CO., LTD.	APPROVED :HY. KOBAYASHI	18. 02. 22	DRAWING NO.	EDC-110484-31-00
	CHECKED :HY. KOBAYASHI	18. 02. 22	PART NO.	JR16WR-10P(31)
	DESIGNED :TH. KAMEYA	18. 02. 22	CODE NO.	CL114-2026-6-31
	DRAWN :MK. INOUE	18. 02. 13		