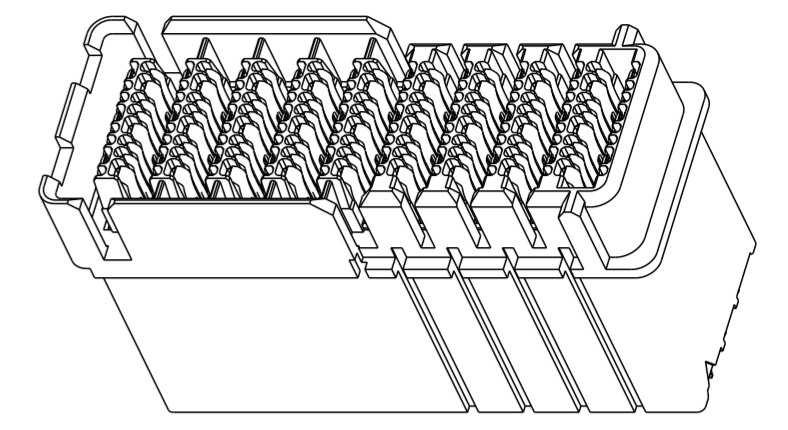
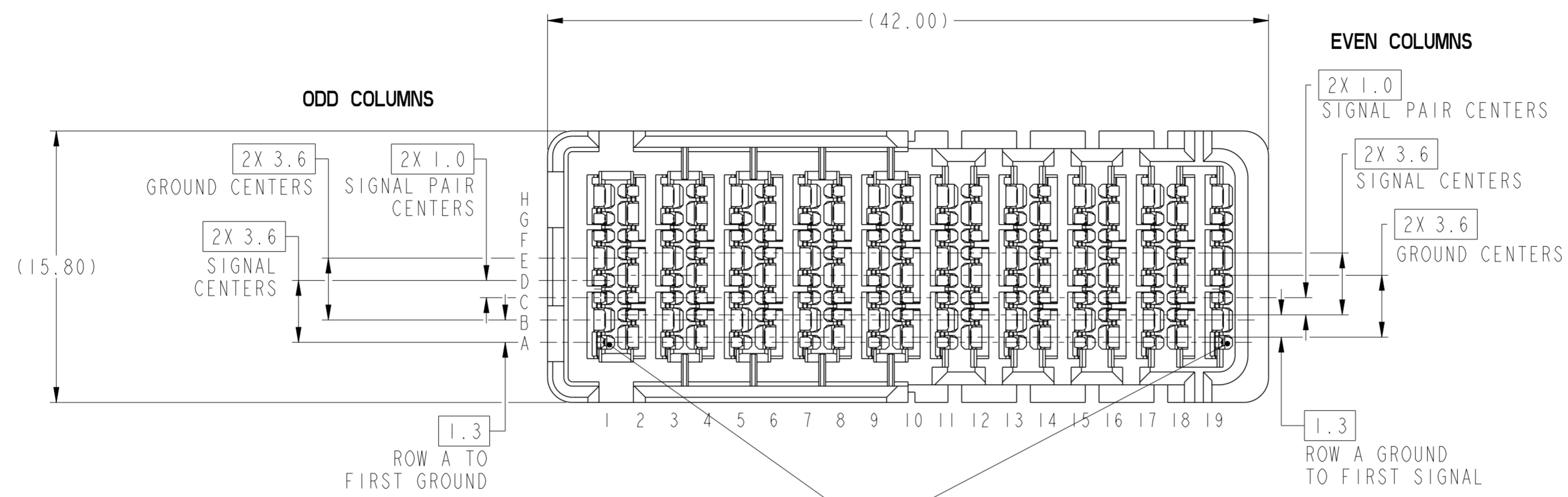
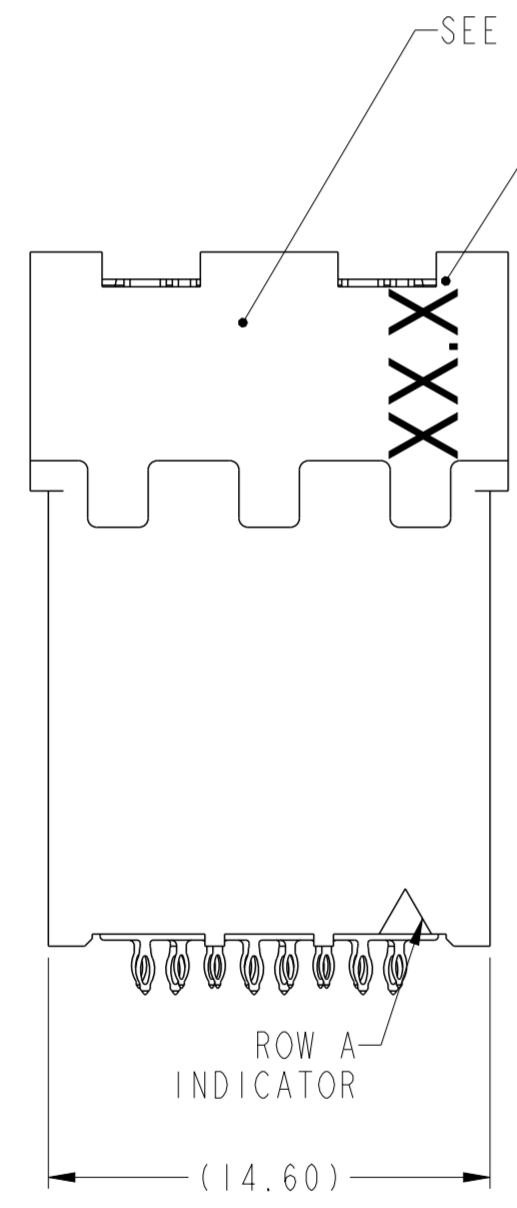


PRODUCT NUMBERS SEE TABLE ON LAST SHEET

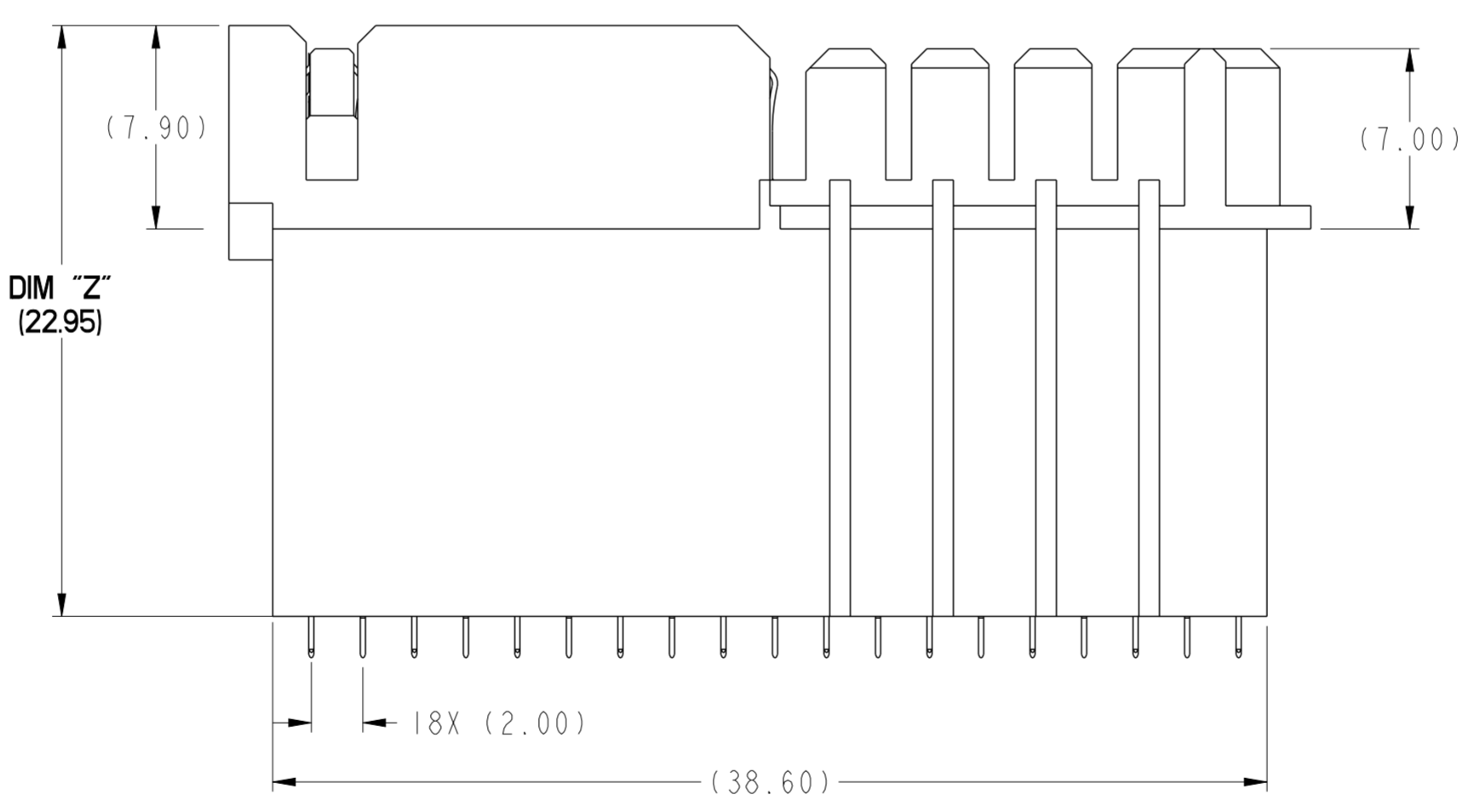


SCALE 2:1

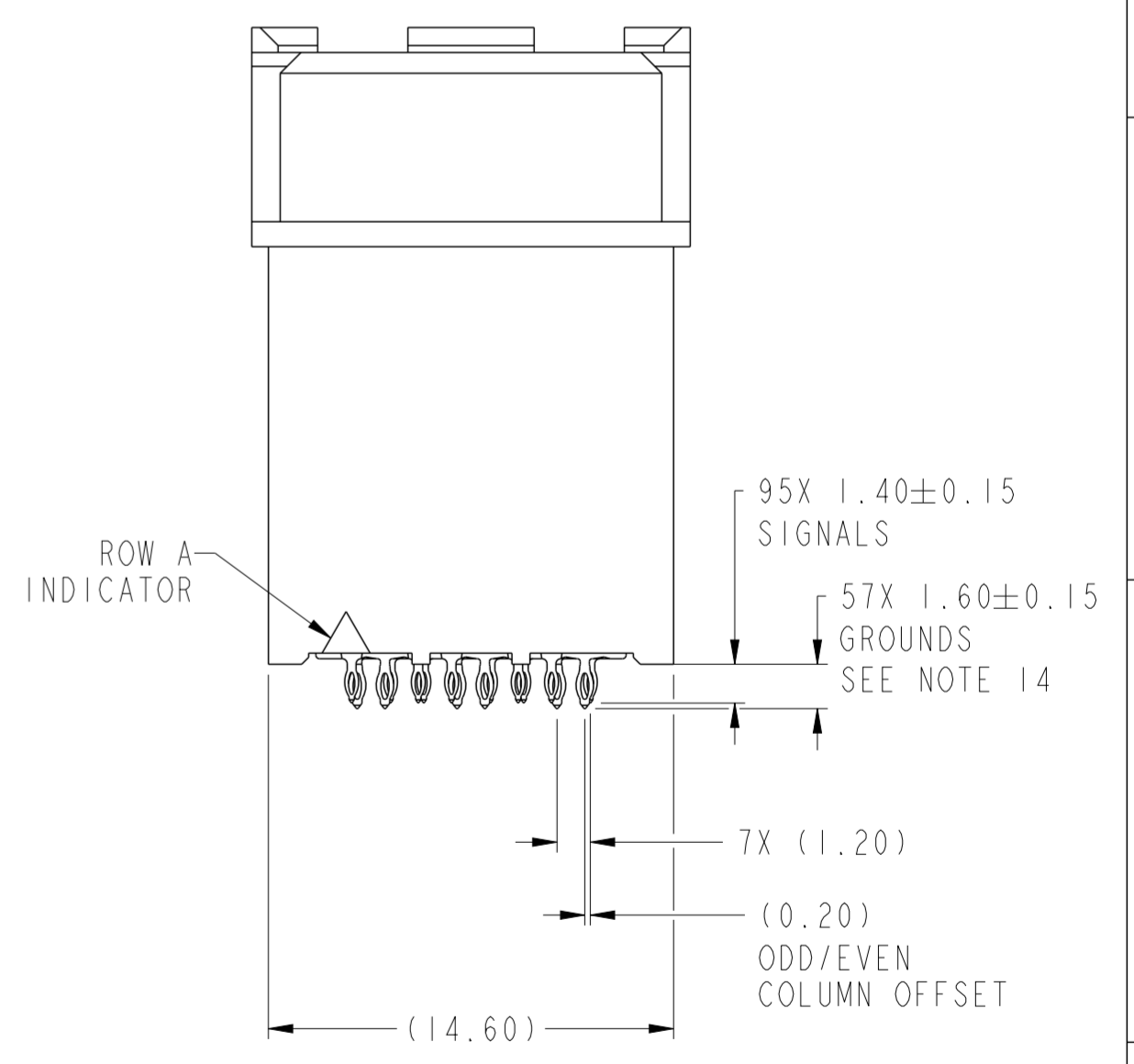


SEE NOTE 5

SEE NOTE 11



10127225-119500ULF SHOWN
SCALE 4:1



spec ref	SEE NOTES	dr	Mark Lauermann	2013/09/10	projection	mm	size	A2	scale	4:1									
tolerance std	TOLERANCES UNLESS OTHERWISE SPECIFIED	eng	David Guo	2018/01/30		mm	ecn no	-	rel level	Released									
ASME Y14.5M		chr	-	appr							Heaven Cen	2018/01/30	product family	ExaMEZZ					
surface	<table border="1"> <tr> <td>linear</td> <td>0.X</td> <td>±0.3</td> </tr> <tr> <td></td> <td>0.XX</td> <td>±0.10</td> </tr> <tr> <td></td> <td>0.XXX</td> <td>±0.05</td> </tr> <tr> <td>angular</td> <td>0°</td> <td>±2°</td> </tr> </table>	linear	0.X	±0.3		0.XX	±0.10		0.XXX	±0.05	angular	0°	±2°			title ExaMEZZ CONNECTOR ASSEMBLY HERMAPHRODITIC, 2 PAIR, 19 IMLA		part no 10127225	rev A
linear	0.X	±0.3																	
	0.XX	±0.10																	
	0.XXX	±0.05																	
angular	0°	±2°																	
		cat. no.		Product - Customer Drw		sheet 1 of 4													

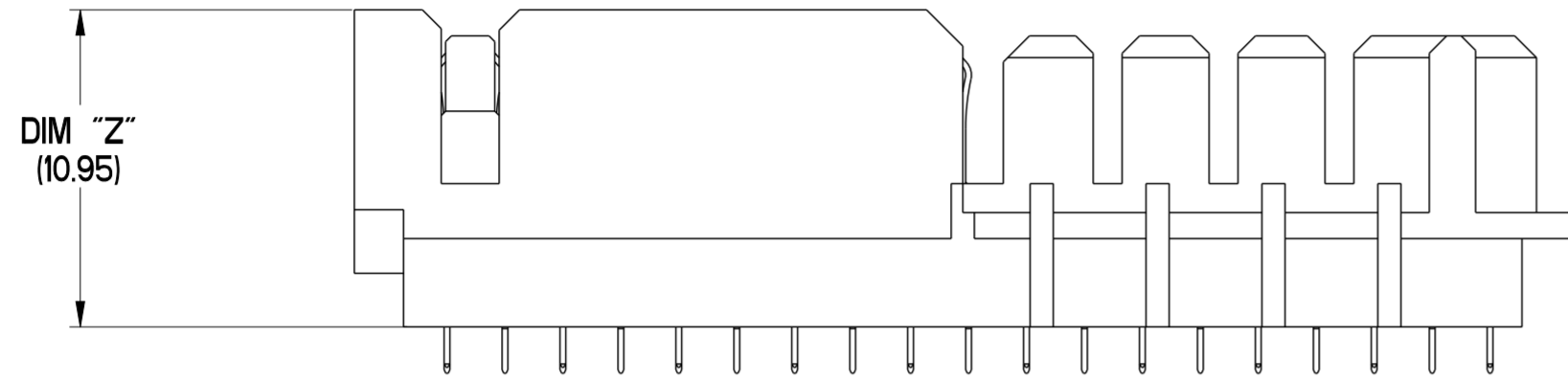
PDS: Rev :A

STATUS:Released

Printed: Jan 30, 2018

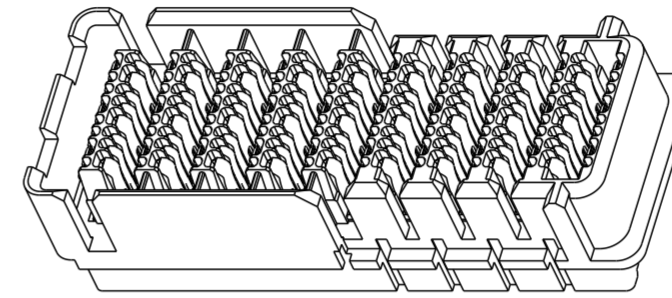
Amphenol FCI

© 2016 APCI

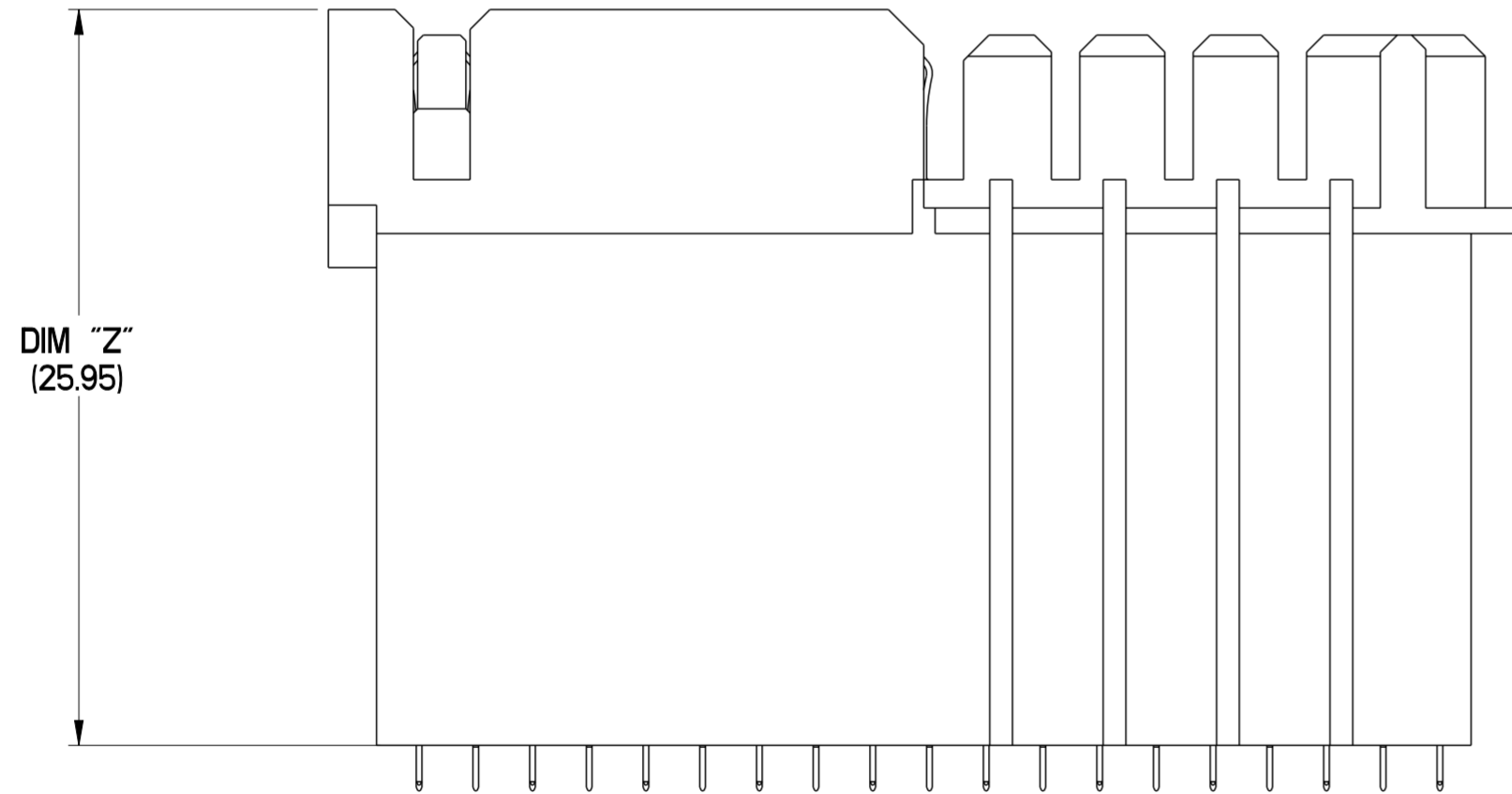


DIM "Z"
(10.95)

SHORTEST HEIGHT
10127225-107500ULF SHOWN
SCALE 4:1

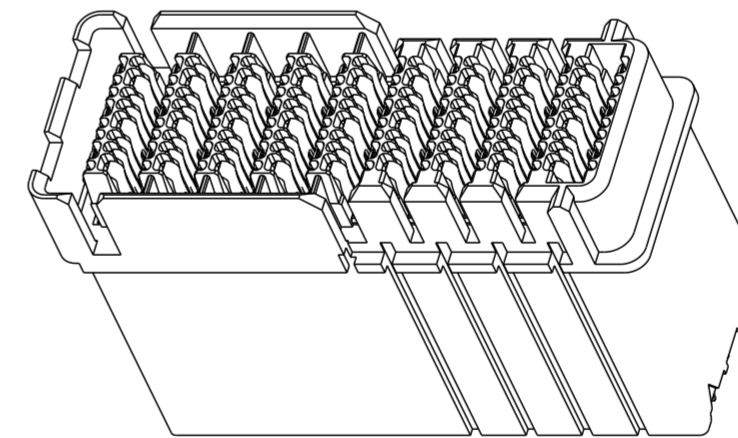


SCALE 2:1



DIM "Z"
(25.95)

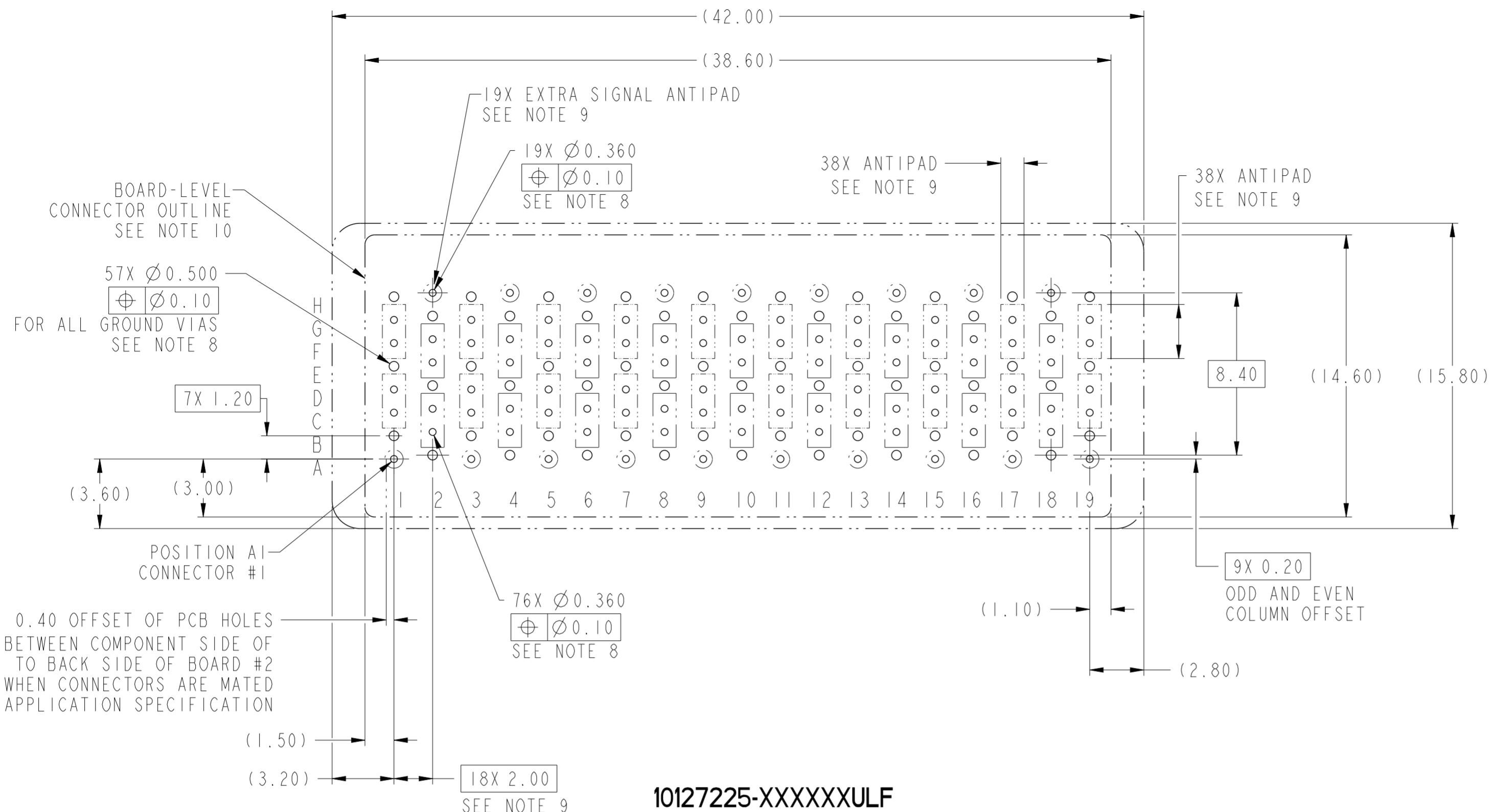
TALLEST HEIGHT
10127225-122500ULF SHOWN
SCALE 4:1



SCALE 2:1

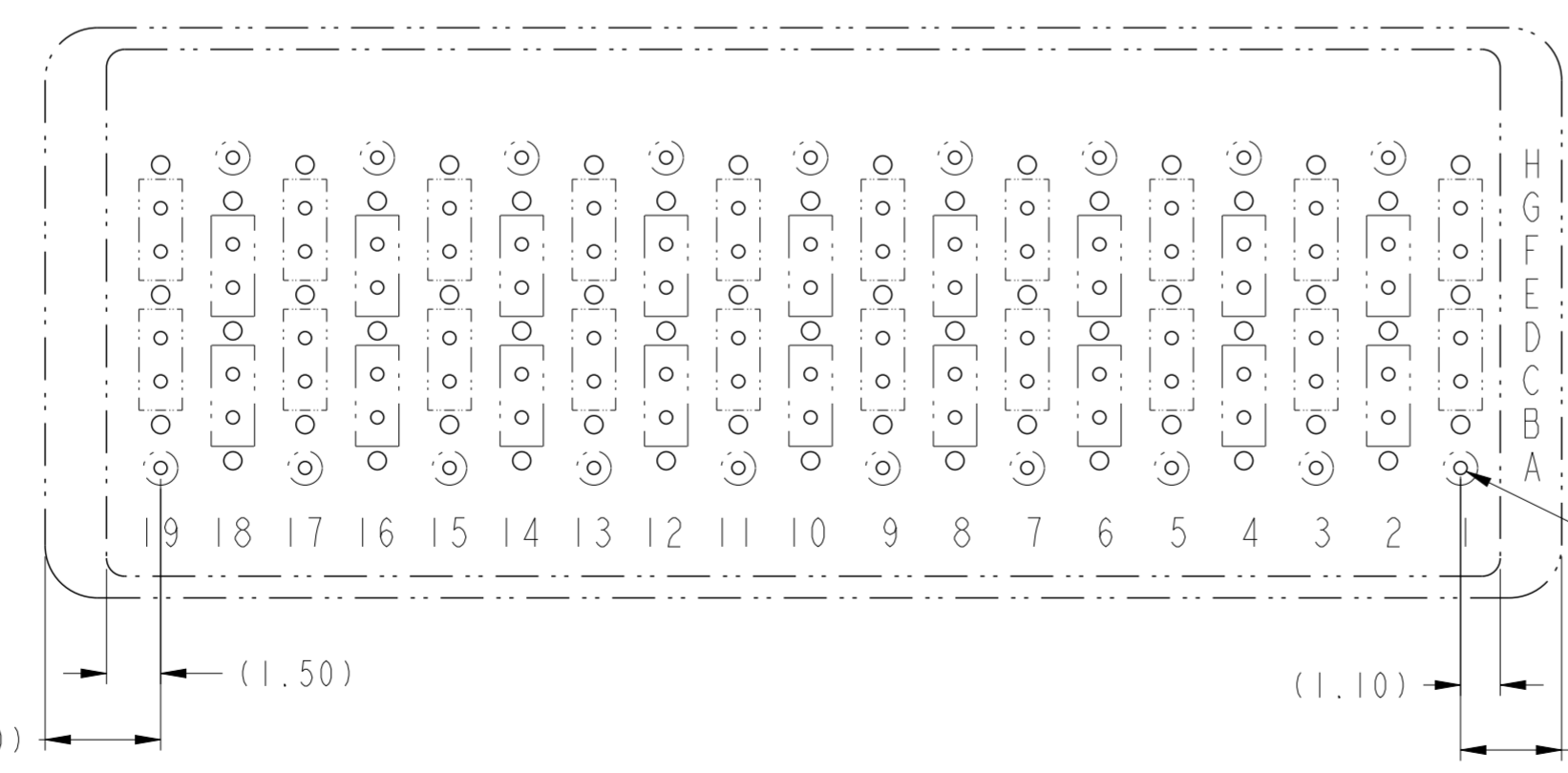
Amphenol
FCi

spec ref	SEE NOTES	dr	Mark Lauermann	2013/09/10	projection	mm	size	A2	scale	4:1							
tolerance std	TOLERANCES UNLESS OTHERWISE SPECIFIED	eng	David Guo	2018/01/30			ecn no	-		title ExaMEZZ CONNECTOR ASSEMBLY HERMAPHRODITIC, 2 PAIR, 19 IMLA							
ASME Y14.5M		chr	-	2018/01/30			product family	ExaMEZZ			rel level	Released					
		appr	Heaven Cen	2018/01/30			cat. no.	-			Product - Customer Drw	sheet 2 of 4					
surface	<table border="1"> <tr> <td>linear</td> <td>0.X</td> <td>±0.3</td> </tr> <tr> <td></td> <td>0.XX</td> <td>±0.10</td> </tr> <tr> <td></td> <td>0.XXX</td> <td>±0.05</td> </tr> <tr> <td>angular</td> <td>0°</td> <td>±2°</td> </tr> </table>	linear	0.X	±0.3		0.XX	±0.10		0.XXX	±0.05	angular	0°	±2°	divg no	10127225	rev	A
linear	0.X	±0.3															
	0.XX	±0.10															
	0.XXX	±0.05															
angular	0°	±2°															



**BOARD FOOTPRINT
CONNECTOR #1
COMPONENT SIDE**

**10127225-XXXXXXULF
RECOMMENDED PCB LAYOUT**
SCALE 5:1

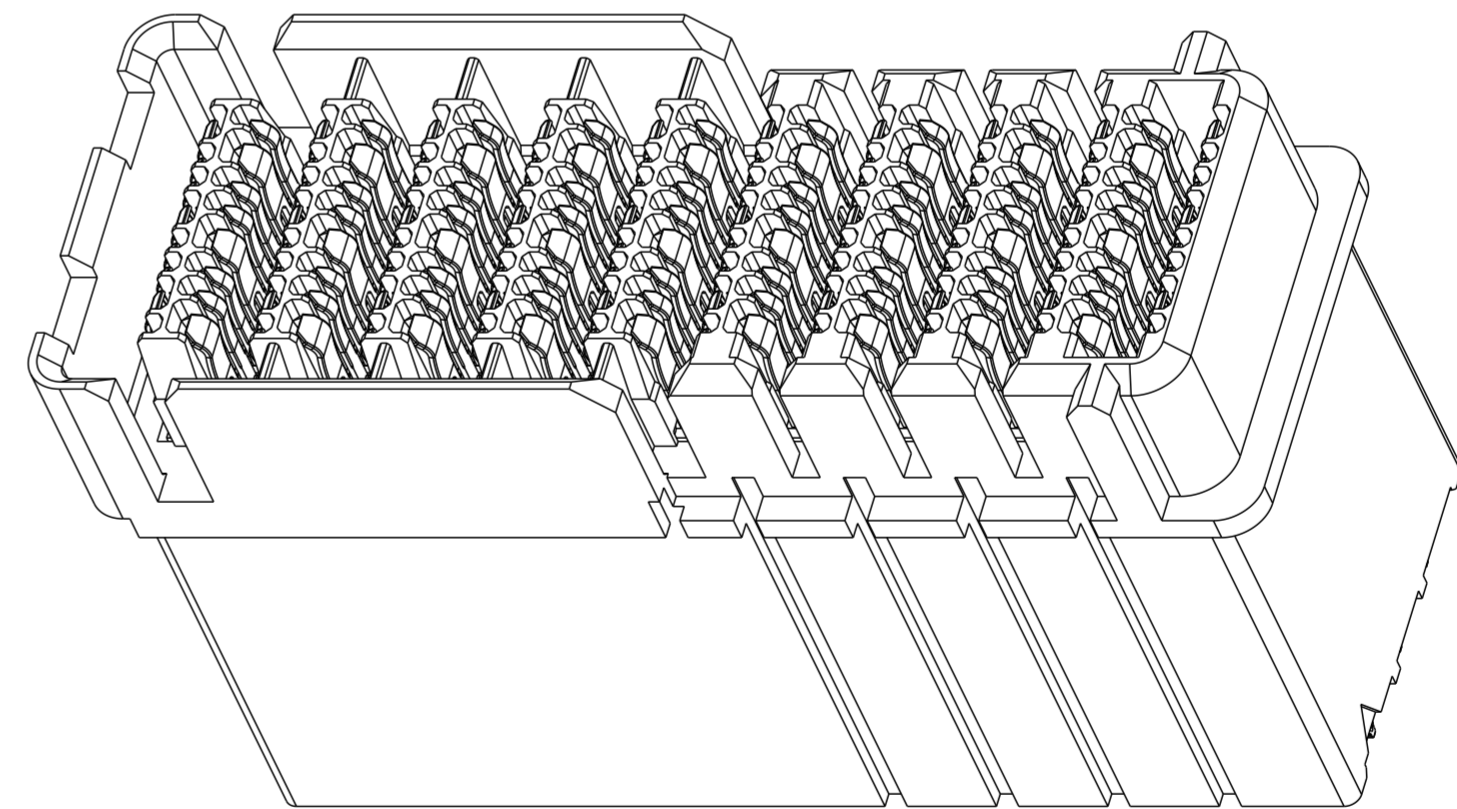
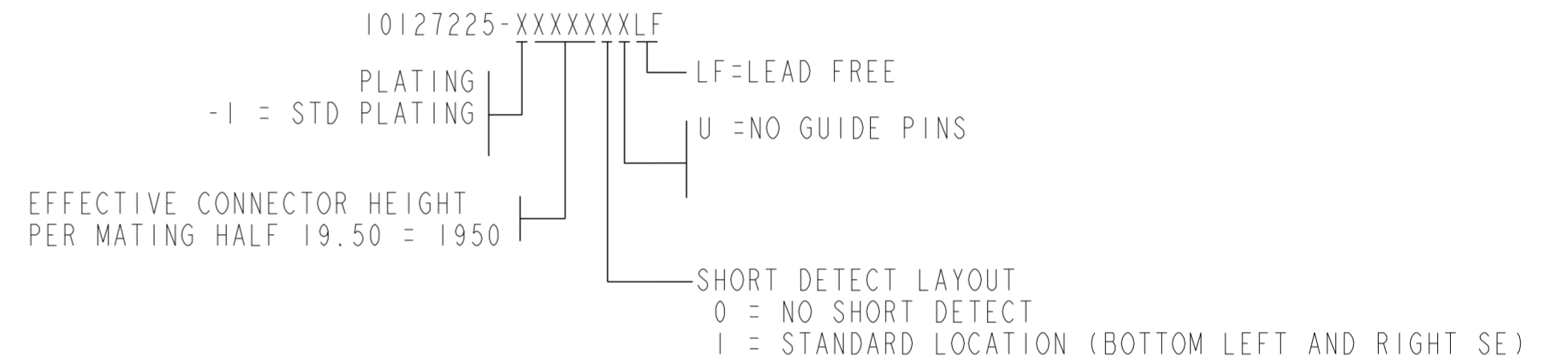


**BOARD FOOTPRINT
CONNECTOR #2 (MATING CONNECTOR)
(SAME FOOTPRINT, DIFFERENT A1 LOCATION)
COMPONENT SIDE**

spec ref	SEE NOTES	dr	Mark Lauerermann	2013/09/10	projection	mm	size	A2	scale	2:1										
tolerance std	TOLERANCES UNLESS OTHERWISE SPECIFIED	eng	David Guo	2018/01/30		mm	ecn no	-	rel level	Released										
ASME Y14.5M		chr	-	appr							Heaven Cen	2018/01/30	product family	ExaMEZZ						
surface	<table border="1"> <tr> <td>linear</td> <td>0.X</td> <td>±0.3</td> </tr> <tr> <td></td> <td>0.XX</td> <td>±0.10</td> </tr> <tr> <td></td> <td>0.XXX</td> <td>±0.05</td> </tr> <tr> <td>angular</td> <td>0°</td> <td>±2°</td> </tr> </table>	linear	0.X	±0.3		0.XX	±0.10		0.XXX	±0.05	angular	0°	±2°			ExaMEZZ CONNECTOR ASSEMBLY HERMAPHRODITIC, 2 PAIR, 19 IMLA		cat. no. - Product - Customer Drw	10127225 sheet 3 of 4	rev A
linear	0.X	±0.3																		
	0.XX	±0.10																		
	0.XXX	±0.05																		
angular	0°	±2°																		

- 1 - CONNECTOR MATERIALS:
HOUSING: HIGH TEMP THERMOPLASTIC, NATURAL, UL94-V0
IMLA PLASTIC: HIGH TEMP THERMOPLASTIC, BLACK, UL94-V0
CONTACT: COPPER ALLOY
- 2 - CONTACT PLATING:
SEPARABLE INTERFACE:
PERFORMANCE-BASED PLATING, QUALIFIED TO MEET THE REQUIREMENTS OF FCI PRODUCT SPECIFICATION GS-12-1150 INCLUDING TELCORDIA GR-1217-CORE (NOVEMBER 1995) CENTRAL OFFICE TEST SEQUENCE.
- PRESS-FIT TAILS:
TIN OVER NICKEL (LEAD-FREE)
- 3 - PRODUCT SPECIFICATION: GS-12-1150
- 4 - APPLICATION SPECIFICATION: GS-20-0373
- 5 - PRODUCT MARKING (PART NUMBER & LOT CODE) ON THIS SURFACE.
- 6 - LEAD FREE PRODUCT MEETS THE EUROPEAN UNION DIRECTIVES & OTHER COUNTRY REGULATIONS AS DESCRIBED IN GS-47-0004.
- 7 - PACKAGING MEETS GS-14-920 LEAD FREE LABELING SPECIFICATION.
- 8 - REFER TO CUSTOMER DRAWING 10119933 FOR INFORMATION ON PCB HOLE DIAMETERS AND PLATING OPTIONS
- 9 - REFER TO ROUTING GUIDE GS-20-0511 FOR RECOMMENDATIONS ON OPTIMIZATION OF FOOTPRINT AND TRACE ROUTING LAYOUT
- 10 - CONNECTOR OUTLINE MAY BE SCREEN PRINTED ONTO CUSTOMER PCB TO BE USED AS A GUIDE FOR MANUAL CONNECTOR PLACEMENT.
- 11 - PRODUCT STACK HEIGHT (7.5, 11.5, 12.5, 19.5, OR 22.5) LASER MARKED ON THIS SURFACE.
- 12 - THE SHORT DETECT CONNECTOR (WHEN MATED WITH A NON-SHORT DETECT CONNECTOR) WILL PROVIDE CONTACTS THAT MATE 1.00mm AFTER THE REMAINDER OF STANDARD LENGTH SIGNAL AND GROUND CONTACTS MATE. NEVER MATE A SHORT DETECT CONNECTOR WITH ANOTHER SHORT DETECT CONNECTOR.
- 13 - THE HOUSING WILL WITHSTAND EXPOSURE TO 260 °C PEAK TEMPERATURE FOR 10-30 SECONDS IN A CONVECTION, INFRA-RED, OR VAPOR PHASE REFLOW OVEN.
- 14 - ALL GROUND CONTACTS WITHIN A COLUMN ARE COMMONED

PRODUCT NUMBER	STACK HEIGHT EACH SIDE	DIM "Z"	SHORT DETECTS
10127225-107500ULF	7.5 mm	10.95	NO
10127225-107501ULF	7.5 mm	10.95	YES
10127225-111500ULF	11.5 mm	14.95	NO
10127225-111501ULF	11.5 mm	14.95	YES
10127225-112500ULF	12.5 mm	15.95	NO
10127225-112501ULF	12.5 mm	15.95	YES
10127225-119500ULF	19.5 mm	22.95	NO
10127225-119501ULF	19.5 mm	22.95	YES
10127225-122500ULF	22.5 mm	25.95	NO
10127225-122501ULF	22.5 mm	25.95	YES



spec ref	SEE NOTES	dr	Mark Lauermann	2013/09/10	projection	mm	size	A2	scale	4:1										
tolerance std	TOLERANCES UNLESS OTHERWISE SPECIFIED	eng	David Guo	2018/01/30			ecn no	-												
ASME Y14.5M		chr	-	appr			Heaven Cen	2018/01/30	product family	ExaMEZZ	rel level	Released								
surface	<table border="1"> <tr> <td>linear</td> <td>0.X</td> <td>±0.3</td> </tr> <tr> <td></td> <td>0.XX</td> <td>±0.10</td> </tr> <tr> <td></td> <td>0.XXX</td> <td>±0.05</td> </tr> <tr> <td>angular</td> <td>0°</td> <td>±2°</td> </tr> </table>	linear	0.X	±0.3		0.XX	±0.10		0.XXX	±0.05	angular	0°	±2°			ExaMEZZ CONNECTOR ASSEMBLY HERMAPHRODITIC, 2 PAIR, 19 IMLA		<div style="display: flex; justify-content: space-between;"> cat. no. Product - Customer Drw </div>	<div style="display: flex; justify-content: space-between;"> 10127225 sheet 4 of 4 </div>	<div style="display: flex; justify-content: space-between;"> rev A </div>
linear	0.X	±0.3																		
	0.XX	±0.10																		
	0.XXX	±0.05																		
angular	0°	±2°																		