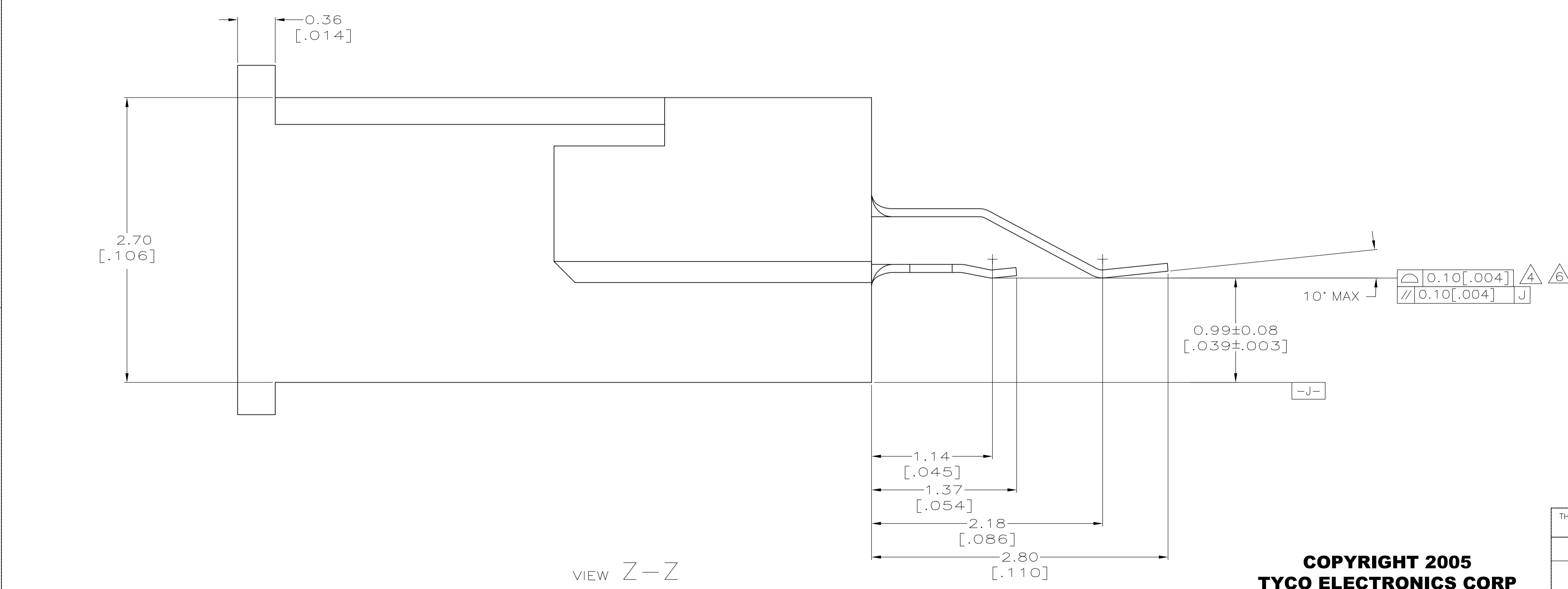
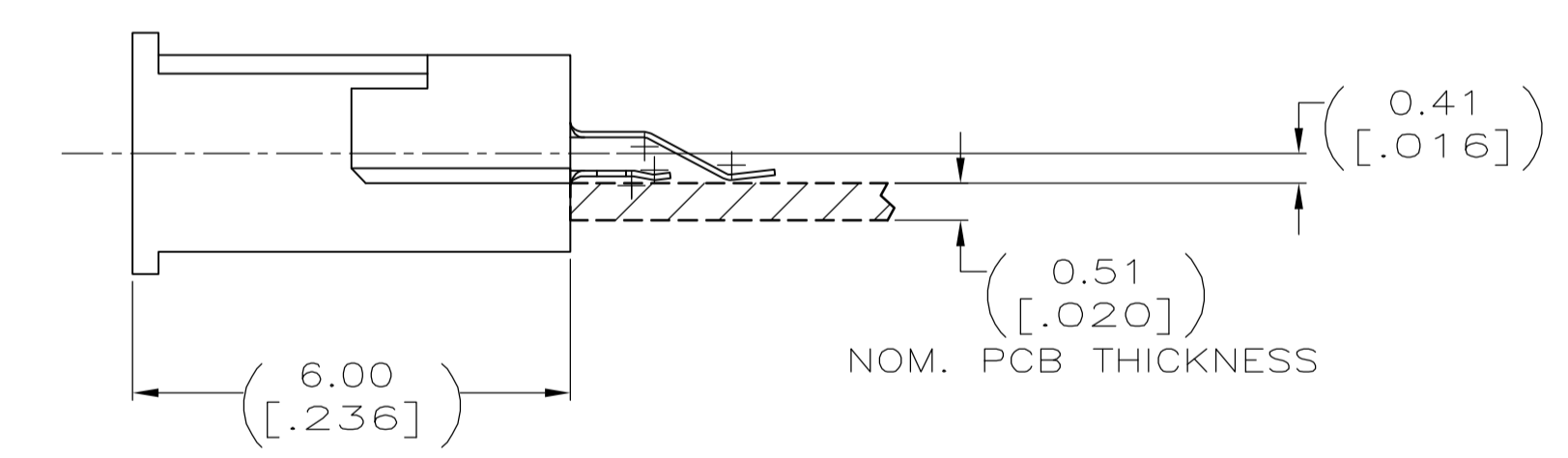
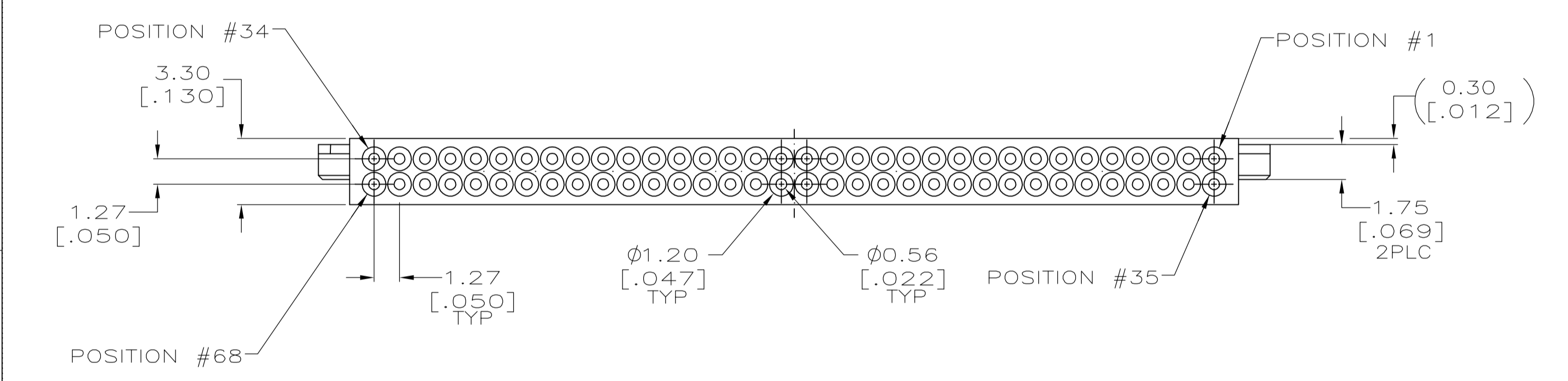
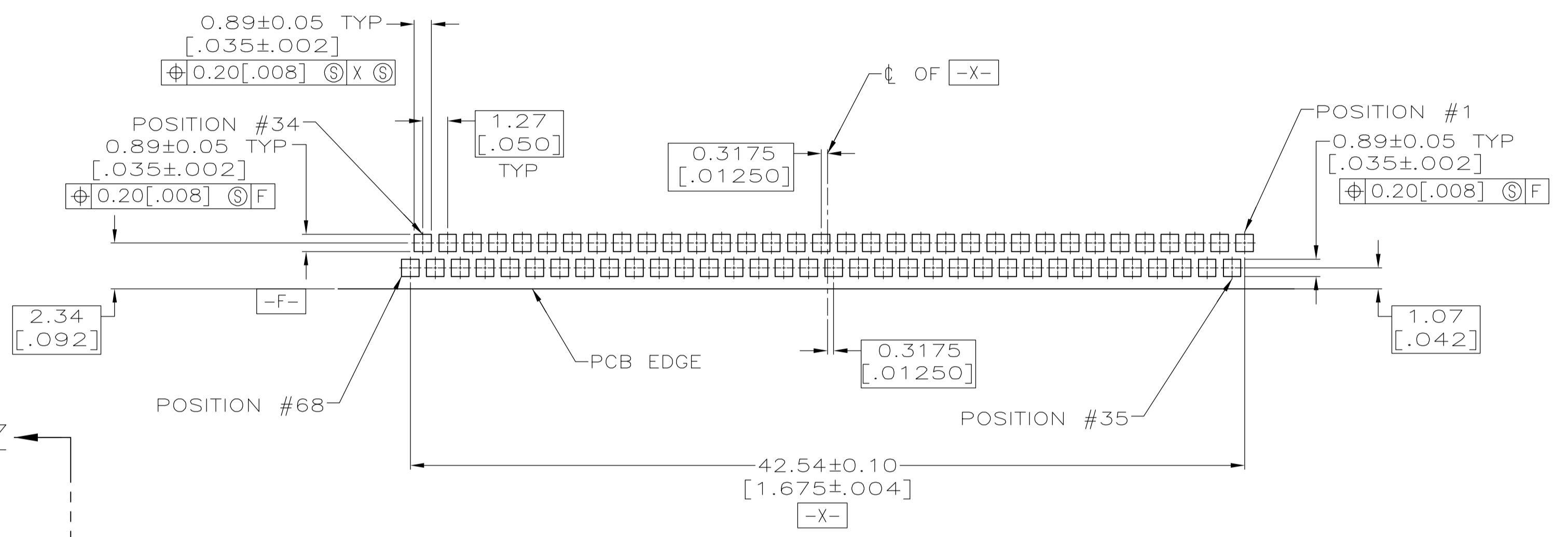


- △ HOUSING: LCP, GLASS FILLED, COLOR: BLACK.
- △ CONTACTS: BERYLLIUM COPPER.
- △ CONTACTS: 0.00076[.000030] MINIMUM GOLD ON MATING AREA, 0.00254[.000100] MINIMUM TIN ON SOLDER TAIL, ALL OVER 0.00127[.000050] MINIMUM NICKEL.
- △ DIMENSION IN REFERENCE TO LOWEST POINT OF EACH LEAD.
- 5. POINT OF CONTACT 2.3[.091] REF FROM MATING FACE.
- △ APPLIES TO ALL SOLDER TAILS.



**COPYRIGHT 2005  
 TYCO ELECTRONICS CORP  
 ALL RIGHTS RESERVED**

THIS DRAWING IS A CONTROLLED DOCUMENT.		DWN A. FERNANDEZ-DOCK5 02-21-05	Tyco Electronics Corporation Harrisburg, PA 17105-3608
DIMENSIONS: mm[INCHES]		CHK D. GORENC 02-21-05	
TOLERANCES UNLESS OTHERWISE SPECIFIED:		APVD M. WALMSLEY 02-21-05	NAME RCPT ASSEMBLY, SURFACE MOUNT, 68 POS. 0.41mm/.016in OFFSET, AMP MEMORY CARD
0 PLC ± - 1 PLC ± - 2 PLC ± 0.13 [.005] 3 PLC ± - 4 PLC ± - ANGLES ± α 30°		APPLICATION SPEC	SIZE A1
MATERIAL		WEIGHT	CAGE CODE 00779
FINISH		DRAWING NO. 5146229	
		RESTRICTED TO	
		CUSTOMER DRAWING	
		SCALE 5:1	SHEET 1 of 1
		REV 0	