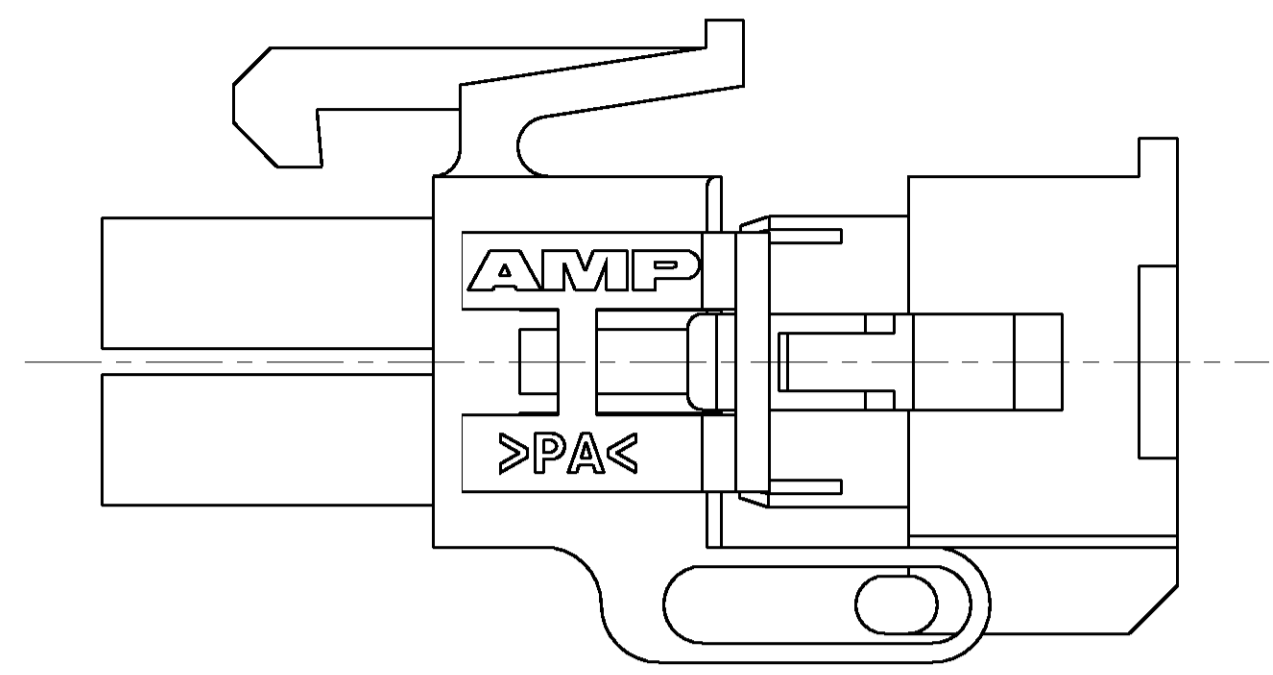
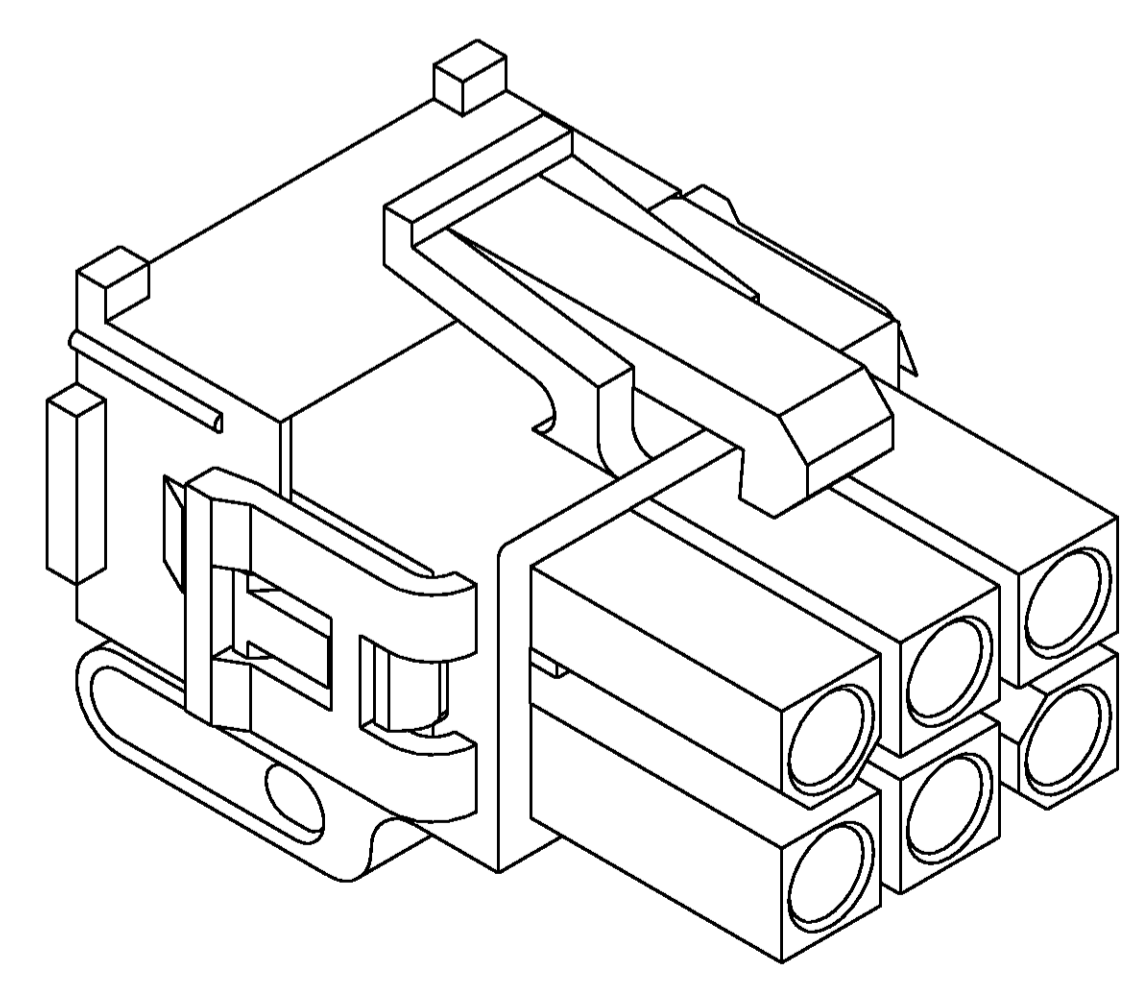
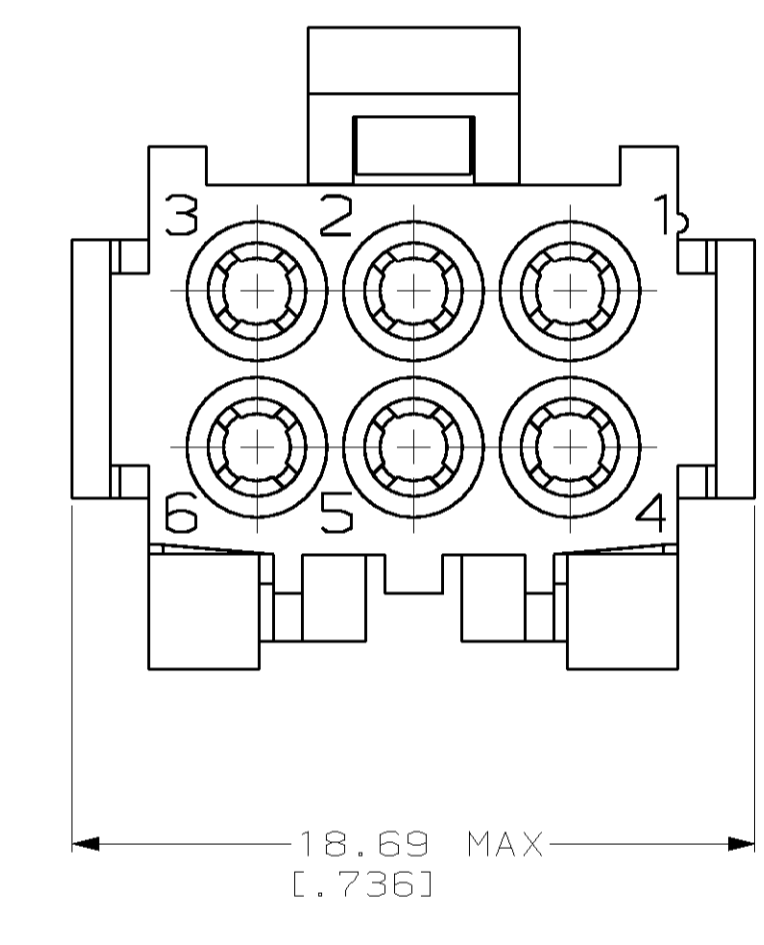
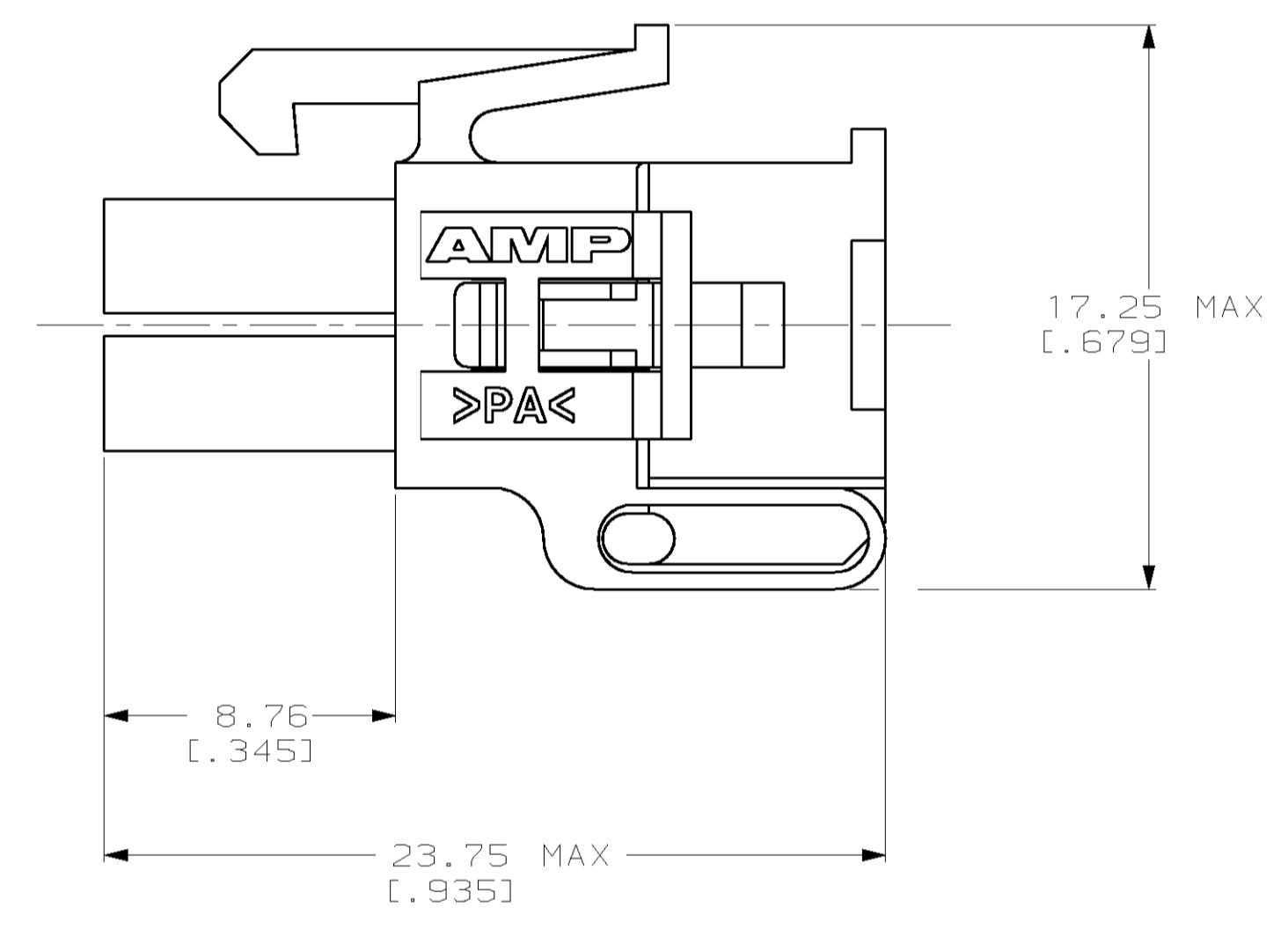
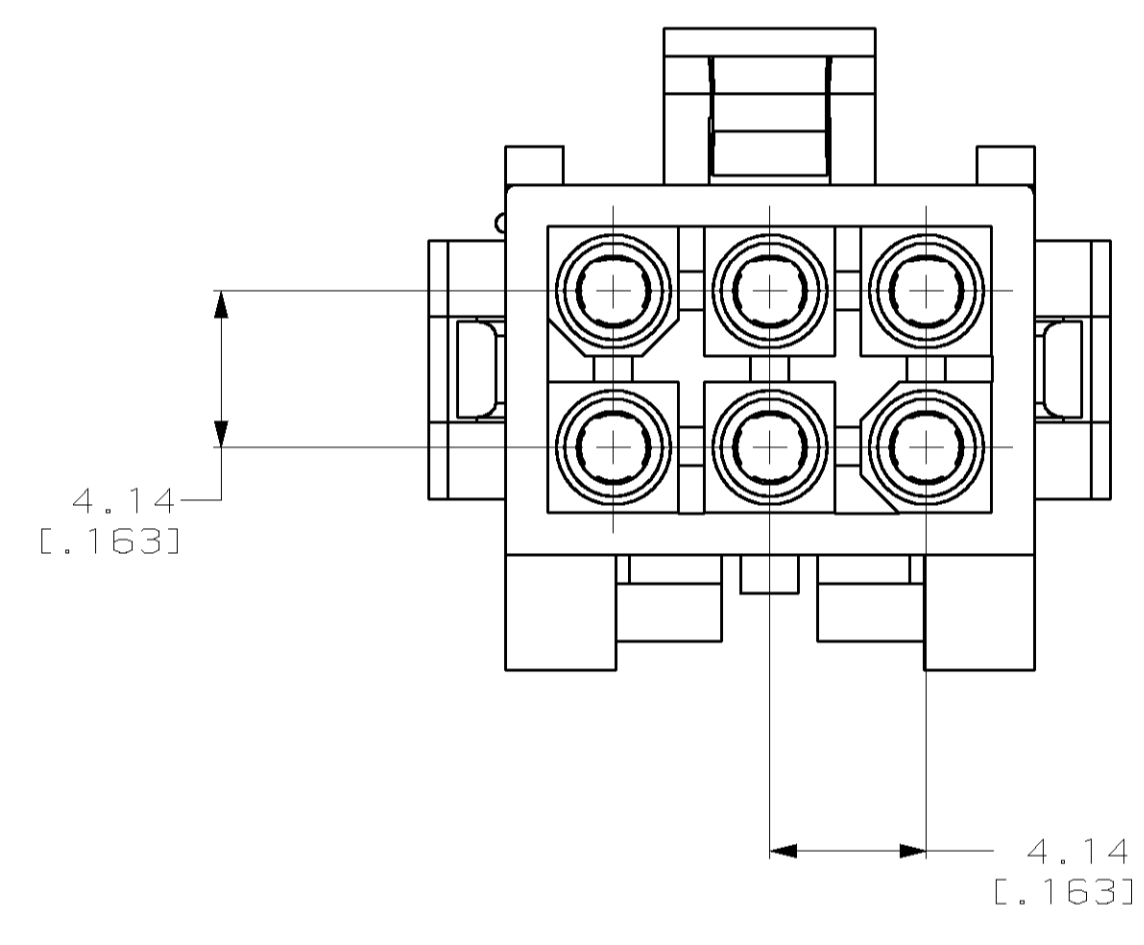


LOC	DIST	REVISIONS			
F	CHR	DESCRIPTION	DATE	OWN	APVD
B		REV PER EC 061B-0094-99	23-SEP-99	KW	KC



PRE-STAGED CONDITION

1. DIMENSIONS IN BRACKETS ARE IN INCHES.



3-DIMENSIONAL MODEL  
NTS

794243-1  
PART NUMBER

**METRIC**

THIS DRAWING IS A CONTROLLED DOCUMENT.		DWN K. WHITAKER 5-12-97	<b>AMP</b> AMP Incorporated Harrisburg, PA 17105-3608
DIMENSIONS:		CHK R. SWING 5-12-97	
mm	TOLERANCES UNLESS OTHERWISE SPECIFIED:	APVD R. ORSTAD 5-12-97	NAME PLUG, 6 CIRCUIT, MINI UNIVERSAL MATE-N-LOK™ 2
0 PLC ±	1 PLC ±	PRODUCT SPEC	SIZE CAGE CODE DRAWING NO
2 PLC ±	3 PLC ±	APPLICATION SPEC	A1 00779 C-794243
4 PLC ±	ANGLES ±	FINISH	RESTRICTED TO
MATERIAL NYLON, UL 94V-2, NATURAL	FINISH	WEIGHT	SCALE 5:1 SHEET 1 OF 1 REV B
CUSTOMER DRAWING			