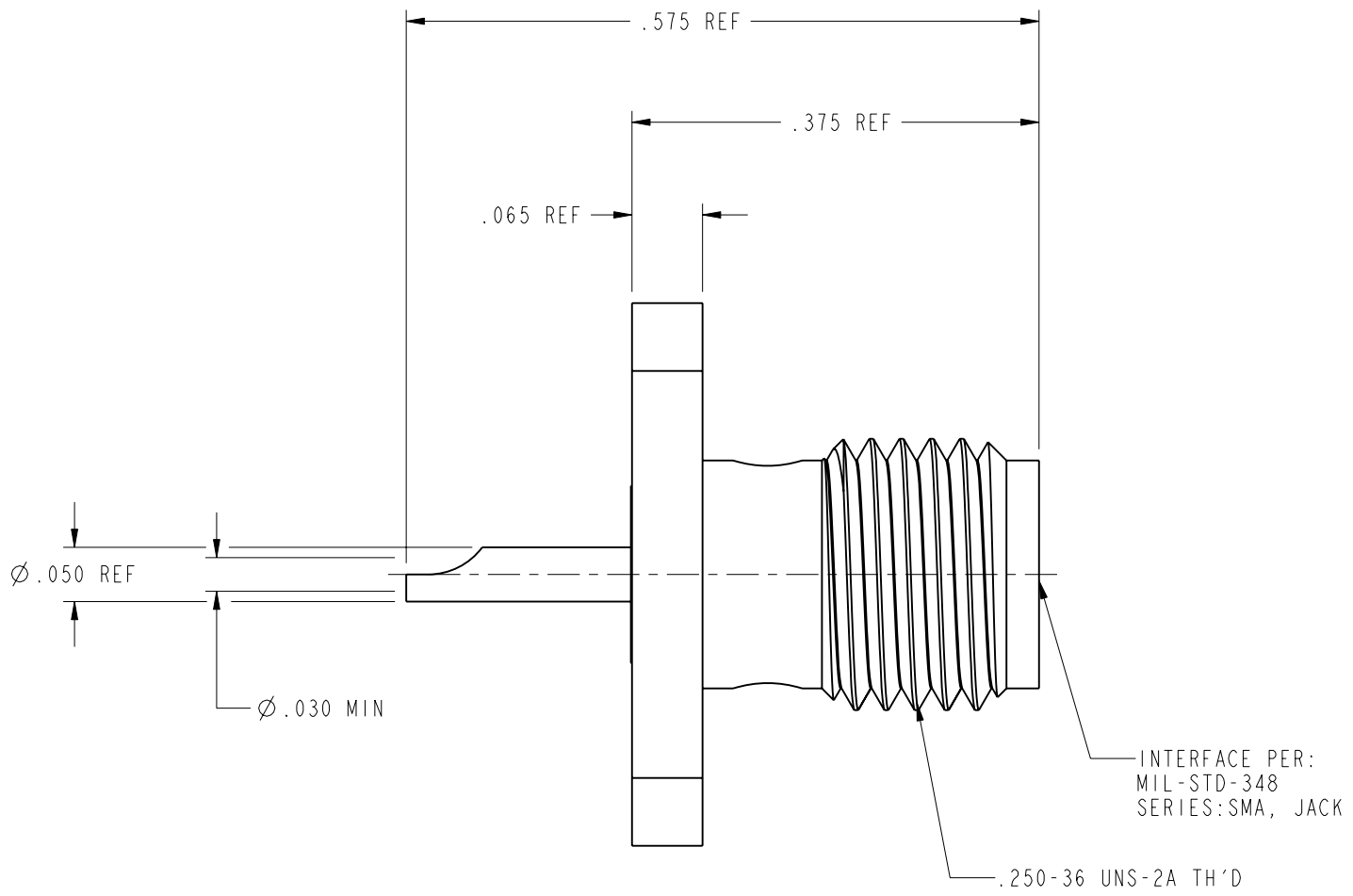


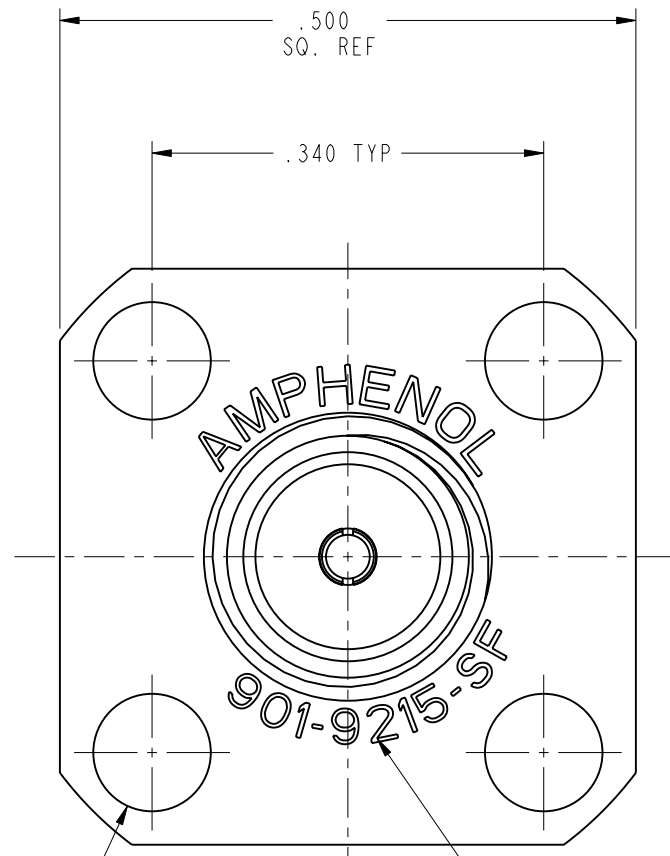
NOTES:

1. MATERIALS AND FINISHES:
 BODY - STAINLESS STEEL, PASSIVATED.
 CONTACT - BeCu, GOLD PLATING (.000050 MIN THICK)
 INSULATOR - PTFE
2. ELECTRICAL:
 A. IMPEDANCE: 50 OHM
 B. DIELECTRIC WITHSTANDING VOLTAGE: 1000 VRMS, MIN.
3. MECHANICAL:
 A. DURABILITY: 500 CYCLES MIN.
 B. TEMPERATURE RANGE: -55° C TO 165° C
4. PACKAGING:
 A. QUANTITY: SINGLE PACK
 B. MARKING: BAG TO BE MARKED
 "AMPHENOL, 901-9215-SF, AND DATE CODE"

| | | | | | |
|-------------------|-----|------------------------|--------|-------|------|
| 901-9215-SF | | REVISIONS | | | |
| DRAWING NO. | REV | DESCRIPTION | DATE | ECO | APPR |
| THIRD ANGLE PROJ. | -- | RELEASE TO MFG. | --- | --- | --- |
| | G | UPDATE PER MIL-STD-348 | 2/5/08 | 46935 | VC |

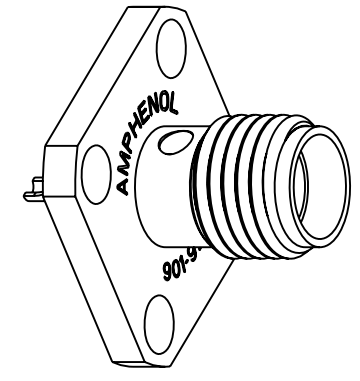


INTERFACE PER:
MIL-STD-348
SERIES: SMA, JACK



Ø .102 THRU
4 HOLES

STAMP "AMPHENOL 901-9215-SF"



SCALE 3.000

CUSTOMER OUTLINE DRAWING

ALL OTHER SHEETS ARE FOR INTERNAL USE ONLY

| | | | | | | | |
|---|----------------------------------|--------------------------------|------------------|--|----------------------------|---|--|
| UNLESS OTHERWISE SPECIFIED, DIMENSIONS ARE IN INCHES AND TOLERANCES ARE: 2 PLACE DECIMAL 3 PLACE DECIMAL ANGLES ±.015 (0,381 mm) ±.005 (0,127 mm) ± 1° | MATERIAL | DRAWN S.P | DATE 11/12/76 | TITLE TYPE "SMA" PANEL JACK STRIPLINE CONNECTOR | | Amphenol RF Danbury, CT, USA Tainan, Taiwan Shenzhen, China www.amphenolrf.com | |
| | REFERENCE D.O.R 42-901-315350 | ENGINEER H. HUTTER | DATE 12/20/76 | | | | |
| NOTICE - These drawings, specifications, or other data (1) are, and remain the property of Amphenol Corp. (2) must be returned upon request; and (3) are confidential and not to be disclosed to any person other than those to whom they are given by Amphenol Corp. The furnishing of these drawings, specifications, or other data by Amphenol Corp., or to any other person to anyone for any purpose is not to be regarded by implication or otherwise in any manner licensing, granting rights or permitting such holder or any other person to manufacture, use or sell any product, process or design, patented or otherwise, that may in any way be related to or disclosed by said drawings, specifications, or other data. | | CAD FILE I:\SMA\901-9215-SF | CODE ID 74868 | DWG SIZE B | DRAWING NO. 901-9215-SF | REV G | |