

## SUMMARY



Image is for illustrative purpose only

### # Wires

Low	8
High	0
Coax	0
Triax	0
Quad	0
Fiber	0
Fluidic	0

### Download

[Request a quote](#)

[Catalog](#)

Series	P
Termination type	Female solder
IP rating	50
Cable Ø	0.00 - 0.00 mm
Matching parts	PAA.M0.8GL.AC52R
Status	
Alternative part	

## TECHNICAL DETAILS

### Mechanics

Shell Style/Model	PK*:
Keying	2 keys (alpha=40; Plug: male contacts; Receptacle: female contacts)
Housing Material	PSU (Polysulfone), gray
Cable Fixing	∅ 0 - 0 mm
Variant	R : Red front nut

### Performance

Configuration	1P.M08 : 8 Low Voltage
Insulator	
Rated Current	5 Amps

### Specifications

Contact Type: Solder
Max. Matings: 2000
Contact Dia.: 0.7 mm (0.0275in)
Bucket Dia.: 0.6 mm (0.024in)
Max. Solid Conductor: 0.14 mm <sup>2</sup> (AWG 26)
Max. Stranded Conductor: 0.14 mm <sup>2</sup> (AWG 26)

R (max): 6.5 mOhm  
Test voltage (kV rms) Contact-contact: 1.05  
Air clearance min. (mm) or Creepage distance min. (mm): 0.6

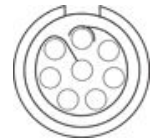
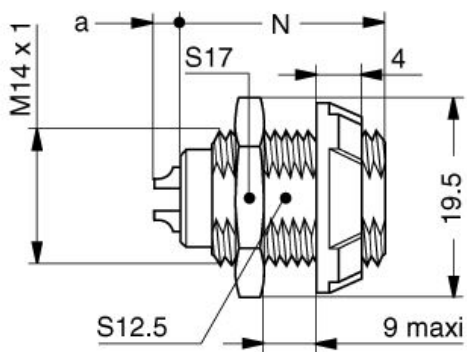
## Others

F ret (min): 50 N  
F ret (max): 150 N  
IP Rating: 50

---

# DRAWINGS

## Draws



## Dimensions

	A	Lmax	N
mm.	19.5	25	20.5
in.	0,77	0,98	0,81

---

# RECOMMENDED BY LEMO

## Tools

None

## Cables