

NOTES:

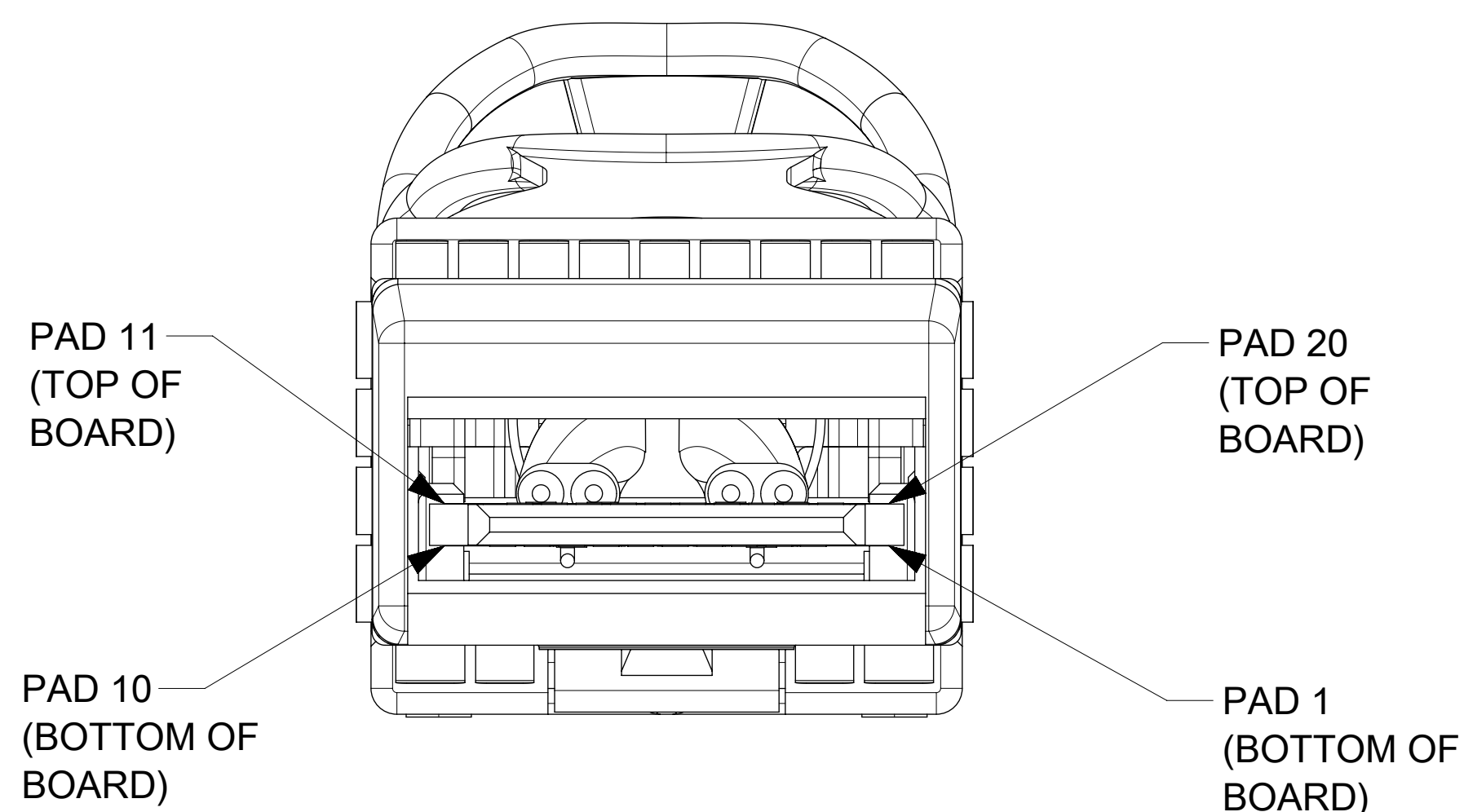
1. MATERIALS
 BACKSHELLS- NICKEL PLATED ZINC
 DE-LATCH - PLASTIC
 PCB - FR-4
 RIVETS - STAINLESS STEEL
2. IMPEDANCE - 100 OHMS DIFFERENTIAL, PASSIVE
3. PULL TO RELEASE, PLUNGER STYLE LATCH
4. EACH ASSEMBLY HAS A SERIAL ID
5. 11.09 Gbps BACKWARDS COMPATIBLE TO 1.0625 Gbps
6. RoHS COMPLIANT, NO EXEMPTIONS

THIS DRAWING CONTAINS INFORMATION THAT IS PROPRIETARY TO MOLEX ELECTRONIC TECHNOLOGIES, LLC AND SHOULD NOT BE USED WITHOUT WRITTEN PERMISSION									
QUALITY SYMBOLS ▽ = 0 ▽ = 0 ▽ = 0 ▽ = 0 ▽ = 0 ▽ = 0 ▽ = 0 ▽ = 0 ▽ = 0	ADDED PN 747521034	GENERAL TOLERANCES (UNLESS SPECIFIED)	DIMENSION UNITS	SCALE					
	EC NO: 110564	ANGULAR TOL ± 2.0 °	MM	2:1					
	DRWN: DRAMIREZ02	4 PLACES ±	DRWN BY	DATE	SFP+ TO SFP+ 10G PASSIVE CABLE ASSEMBLY				
	CHKD: EMEDINA02	3 PLACES ±	DRAMIREZ02	2016/11/17					
	REV: ARAYBURN	2 PLACES ± 0.13	CHKD BY	DATE	PRODUCT CUSTOMER DRAWING				
		1 PLACE ± 0.25	EMEDINA02	2016/11/17					
	0 PLACES ±	APPR BY	DATE	SERIES: 74752 MATERIAL NUMBER: SEE TABLE CUSTOMER: GENERAL MARKET					
	DRAFT WHERE APPLICABLE MUST REMAIN WITHIN DIMENSIONS	ARAYBURN	2016/11/22						
		DRAWING SIZE	THIRD ANGLE PROJECTION	DOCUMENT NUMBER: 747520001 DOC TYPE: PSD DOC PART: 000 SHEET NUMBER: 1 OF 4					
		D							

WIRING DIAGRAM				
P1 END			P2 END	
PAD	SIGNAL		PAD	SIGNAL
12	RD-	<-----	19	TD-
13	RD+	<-----	18	TD+
18	TD+	----->	13	RD+
19	TD-	----->	12	RD-

LOW SPEED SIGNALS	
SFP+	
PAD	SIGNAL
02	Tx_Fault
03	Tx_Disable
04	SDA
05	SCL
06	Mod_ABS
07	RS0
08	Rx_LOS
09	RS1
15	VccR
16	VccT

CUSTOM LENGTHS AVAILABLE.
LONGER LENGTH APPLICATIONS REQUIRE
HOST SYSTEM PRE-EMPHASIS AND
EQUALIZATION.
SEE DATASHEET FOR MORE INFORMATION.



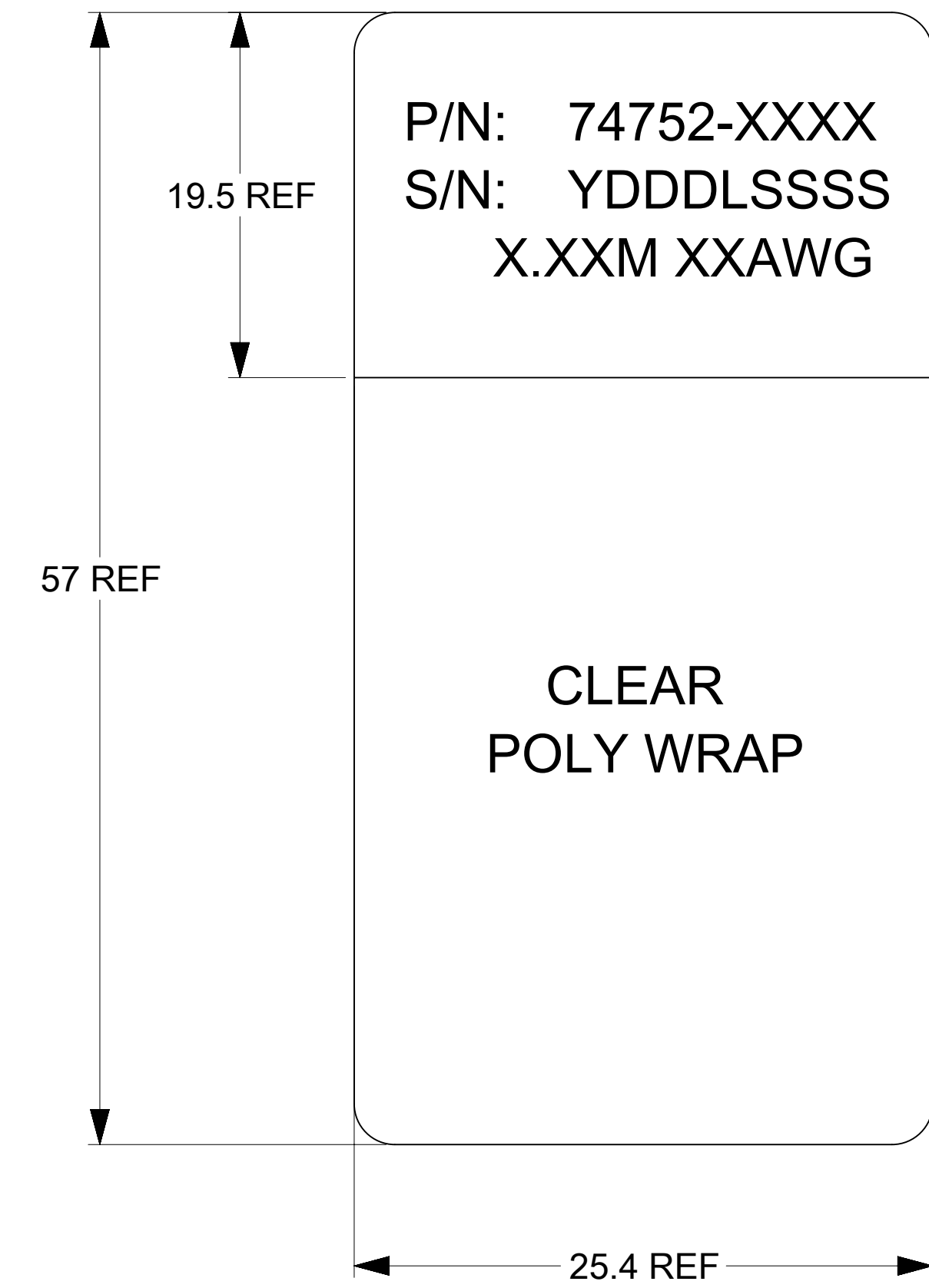
QUALITY SYMBOLS 	THIS DRAWING CONTAINS INFORMATION THAT IS PROPRIETARY TO MOLEX ELECTRONIC TECHNOLOGIES, LLC AND SHOULD NOT BE USED WITHOUT WRITTEN PERMISSION										
	ADDED PN 747521034	2016/11/17	2016/11/17	2016/11/22	GENERAL TOLERANCES (UNLESS SPECIFIED)		DIMENSION UNITS	SCALE			
	EC NO: 110564	DRWN: DRAMIREZ02	CHKD: EMEDINA02	REV: ARAYBURN	ANGULAR TOL ± 2.0 °		MM	7:1			
					4 PLACES ±		DRWN BY	DATE	SFP+ TO SFP+ 10G PASSIVE CABLE ASSEMBLY		
					3 PLACES ±		DRAMIREZ02	2016/11/17			
					2 PLACES ± 0.13		CHKD BY	DATE	PRODUCT CUSTOMER DRAWING		
					1 PLACE ± 0.25		EMEDINA02	2016/11/17			
					0 PLACES ±		APPR BY	DATE	SERIES: 74752 MATERIAL NUMBER: SEE TABLE CUSTOMER: GENERAL MARKET		
							ARAYBURN	2016/11/22			
					DRAFT WHERE APPLICABLE MUST REMAIN WITHIN DIMENSIONS		DRAWING SIZE	THIRD ANGLE PROJECTION	DOCUMENT NUMBER: 747520001 DOC TYPE: PSD DOC PART: 000 SHEET NUMBER: 2 OF 4		
						D					

PART NUMBER TABLE

PART NUMBER	LENGTH	TOL.	AWG
747520010	0.30M	± 0.03M	32
747520011	0.50M	± 0.03M	32
747520012	1.0M	± 0.05M	32
747520013	2.0M	± 0.05M	32
747520014	3.0M	± 0.05M	32
747520015	4.0M	± 0.05M	32
747520016	5.0M	± 0.05M	32
747521031	0.30M	± 0.03M	30
747521034	0.34M	± 0.03M	30
747521051	0.50M	± 0.05M	30
747521101	1.0M	± 0.05M	30
747521151	1.5M	± 0.05M	30
747521201	2.0M	± 0.05M	30
747521251	2.5M	± 0.05M	30
747521301	3.0M	± 0.05M	30
747521401	4.0M	± 0.05M	30
747521501	5.0M	± 0.08M	30
747521601	6.0M	± 0.08M	30
747521701	7.0M	± 0.08M	30
747521801	8.0M	± 0.08M	30
747521901	9.0M	± 0.08M	30
747529001	10.0M	± 0.08M	30
747522031	0.30M	± 0.03M	28
747522051	0.50M	± 0.03M	28
747522101	1.0M	± 0.05M	28
747522151	1.5M	± 0.05M	28
747522201	2.0M	± 0.05M	28
747522301	3.0M	± 0.05M	28
747522401	4.0M	± 0.05M	28
747522501	5.0M	± 0.08M	28
747522701	7.0M	± 0.08M	28
747522801	8.0M	± 0.08M	28
747522901	9.0M	± 0.08M	28
747529002	10.0M	± 0.08M	28
747529010	15.0M	± 0.08M	28

PART NUMBER	LENGTH	TOL.	AWG
747523051	0.50M	± 0.03M	26
747523061	0.60M	± 0.03M	26
747523101	1.0M	± 0.05M	26
747523201	2.0M	± 0.05M	26
747523301	3.0M	± 0.05M	26
747523501	5.0M	± 0.08M	26
747523701	7.0M	± 0.08M	26
747523901	9.0M	± 0.08M	26
747529003	10.0M	± 0.08M	26
747529225	1.6M	± 0.05M	26
747529226	1.75M	± 0.05M	26
747529227	2.25M	± 0.05M	26
747524051	0.50M	± 0.03M	24
747524101	1.0M	± 0.05M	24
747524201	2.0M	± 0.05M	24
747524301	3.0M	± 0.05M	24
747524401	4.0M	± 0.05M	24
747524501	5.0M	± 0.08M	24
747524541	5.4M	± 0.08M	24
747524571	5.7M	± 0.08M	24
747524601	6.0M	± 0.08M	24
747524701	7.0M	± 0.08M	24
747524801	8.0M	± 0.08M	24
747524901	9.0M	± 0.08M	24
747529004	10.0M	± 0.08M	24
747529013	11.0M	± 0.08M	24
747529008	12.0M	± 0.08M	24
747529015	13.0M	± 0.08M	24
747529016	14.0M	± 0.08M	24
747529007	15.0M	± 0.08M	24

CABLE LABEL DETAIL

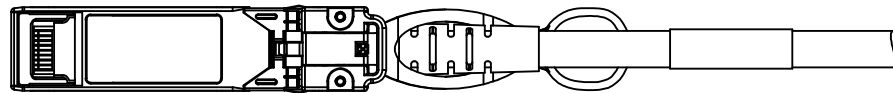
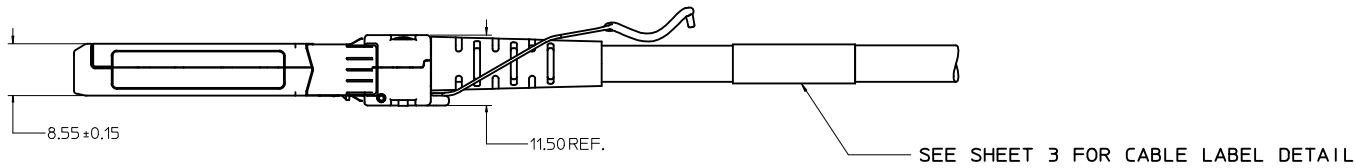
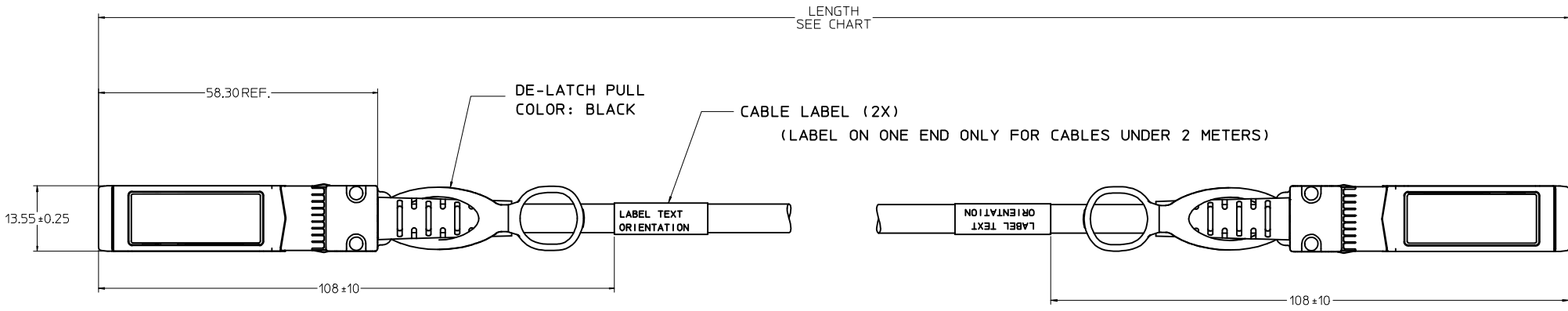


YDDDLSSSS
Y---YEAR, THE LAST DIGIT OF THE YEAR
DDD---DAY OF THE YEAR
L---LOCATION (1=US, 2=MEXICO, 3=CHINA, 4=PHILIPPINES)
SSSS---SERIAL NUMBER (0001-9999)

X.XXM---LENGTH AS SHOWN IN P/N TABLE

XXAWG---AWG SIZE

QUALITY SYMBOLS 	THIS DRAWING CONTAINS INFORMATION THAT IS PROPRIETARY TO MOLEX ELECTRONIC TECHNOLOGIES, LLC AND SHOULD NOT BE USED WITHOUT WRITTEN PERMISSION																		
	EC NO: 110564 DRWN: DRAMIREZ02 CHKD: EMEDINA02 REV: APPR: ARAYBURN	2016/11/17 2016/11/17 2016/11/22	GENERAL TOLERANCES (UNLESS SPECIFIED) ANGULAR TOL ± 2.0 ° 4 PLACES ± 3 PLACES ± 2 PLACES ± 0.13 1 PLACE ± 0.25 0 PLACES ± DRAFT WHERE APPLICABLE MUST REMAIN WITHIN DIMENSIONS	DIMENSION UNITS: MM SCALE: 1:1 DRWN BY: DRAMIREZ02 DATE: 2016/11/17 CHKD BY: EMEDINA02 DATE: 2016/11/17 APPR BY: ARAYBURN DATE: 2016/11/22 DRAWING SIZE: D THIRD ANGLE PROJECTION	 SFP+ TO SFP+ 10G PASSIVE CABLE ASSEMBLY PRODUCT CUSTOMER DRAWING SERIES: 74752 MATERIAL NUMBER: SEE TABLE CUSTOMER: GENERAL MARKET DOCUMENT NUMBER: 747520001 DOC TYPE: PSD DOC PART: 000 SHEET NUMBER: 3 OF 4														
RELEASE STATUS: P1 RELEASE DATE: 22.11.2016 00:01:34	19	18	17	16	15	14	13	12	11	10	9	8	7	6	5	4	3	2	1



NOTES:

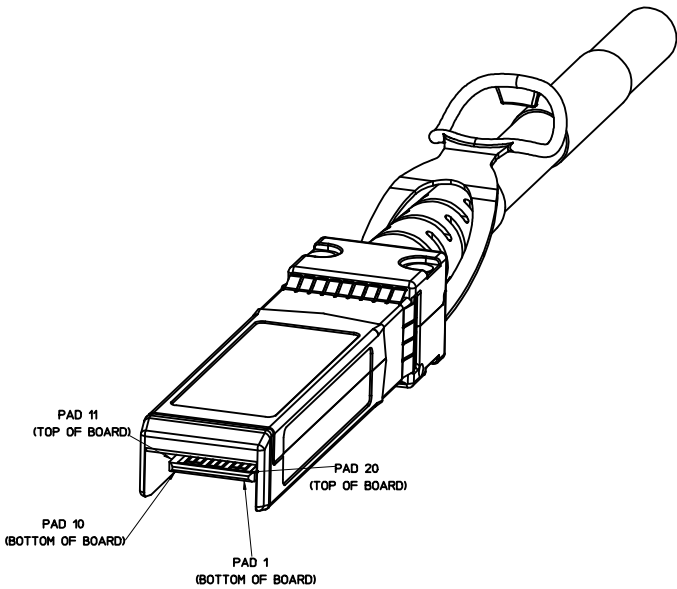
1. MATERIALS
 BACKSHELLS - NICKEL PLATED ZINC
 DE-LATCH - PLASTIC
 PCB - FR-4
 RIVETS - STAINLESS STEEL
2. IMPEDANCE - 100 OHMS DIFFERENTIAL, PASSIVE
3. PULL TO RELEASE, PLUNGER STYLE LATCH
4. EACH ASSEMBLY HAS A SERIAL ID
5. 11.09 Gbps BACKWARDS COMPATIBLE TO 1.0625 Gbps
6. RoHS COMPLIANT, NO EXEMPTIONS.

SEE REV HISTORY IEC NO: CPG2016-0706 DRWNG: BARELLA 2015/08/13 CHKD: EMD NA 2015/08/13 APPR: ARA/BURN 2015/08/13	QUALITY SYMBOLS ▽=0 ▽=0 ▽=0	GENERAL TOLERANCES (UNLESS SPECIFIED)		DIMENSION STYLE MM ONLY	SCALE 2.5:1	DESIGN UNITS METRIC	THIRD ANGLE PROJECTION		
		4 PLACES ± --- mm ± --- INCH	3 PLACES ± --- mm ± --- INCH	2 PLACES ± 0.13 mm ± --- INCH	1 PLACE ± 0.25 mm ± --- INCH	0 PLACE ± mm ± --- INCH	DRAWN BY: JERWIN DATE: 2007/01/30 CHECKED BY: K LLOYD DATE: 2007/01/30 APPROVED BY: RMAHMOOD DATE: 2007/01/30		
		ANGULAR ± 2 °		DRAFT WHERE APPLICABLE MUST REMAIN WITHIN DIMENSIONS		MATERIAL NO. SEE SHEET 3 DOCUMENT NO. SD-74752-001			
		THIS DRAWING CONTAINS INFORMATION THAT IS PROPRIETARY TO MOLEX INCORPORATED AND SHOULD NOT BE USED WITHOUT WRITTEN PERMISSION							SHEET NO. 1 OF 4

WIRING DIAGRAM				
P1 END			P2 END	
PAD	SIGNAL		PAD	SIGNAL
12	RD-	←	19	TD-
13	RD+	←	18	TD+
18	TD+	→	13	RD+
19	TD-	→	12	RD-

LOW SPEED SIGNALS	
SFP+	
PAD	SIGNAL
02	Tx_Fault
03	Tx_Disable
04	SDA
05	SCL
06	Mod_ABS
07	RS0
08	Rx_LOS
09	RS1
15	VccR
16	VccT

SFP+



CUSTOM LENGTHS AVAILABLE.
 LONGER LENGTH APPLICATIONS REQUIRE
 HOST SYSTEM PRE-EMPHASIS AND
 EQUALIZATION.
 SEE DATASHEET FOR MORE INFORMATION.

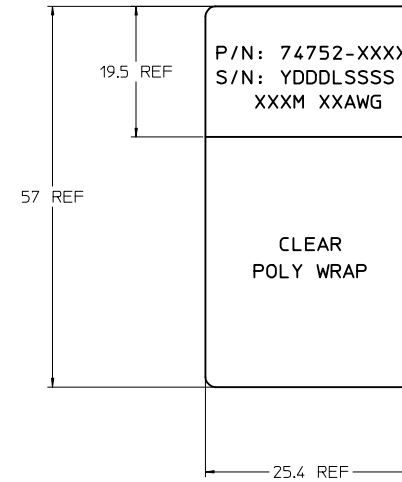
SEE REV HISTORY IEC NO: CPG2016-0706 DRAWN BY: DRWN:GBARDILLA 2015/08/13 CHECKED BY: CHYK:EMEDINA 2015/08/13 APPR:ARABURIN 2015/08/13	QUALITY SYMBOLS	GENERAL TOLERANCES (UNLESS SPECIFIED)	DIMENSION STYLE	SCALE	DESIGN UNITS	THIRD ANGLE PROJECTION
	▽=0	4 PLACES ± mm ± INCH	MM ONLY	4:1	METRIC	☉
	▽=0	3 PLACES ± 0.13 ± 0.005				
	▽=0	2 PLACES ± 0.25 ± 0.010				
		ANGULAR ± 2 °	DRAWN BY: JERWIN 2007/01/30	DATE: 2007/01/30	TITLE: SFP+ 10G PASSIVE CABLE ASSEMBLY	
		DRAFT WHERE APPLICABLE MUST REMAIN WITHIN DIMENSIONS	CHECKED BY: K LLOYD 2007/01/30	DATE: 2007/01/30	APPROVED BY: RMAHMOOD 2007/01/30	
			MATERIAL NO. SEE SHEET 3	DOCUMENT NO. SD-74752-001	SHEET NO. 2 OF 4	
			THIS DRAWING CONTAINS INFORMATION THAT IS PROPRIETARY TO MOLEX INCORPORATED AND SHOULD NOT BE USED WITHOUT WRITTEN PERMISSION			

PART NUMBER CHART

CABLE LABEL DETAIL

PART NUMBER	LENGTH	TOL.	AWG
747520010	0.3M	±0.03M	32
747520011	0.5M	±0.03M	32
747520012	1.0M	±0.05M	32
747520013	2.0M	±0.05M	32
747520014	3.0M	±0.05M	32
747520015	4.0M	±0.05M	32
747520016	5.0M	±0.08M	32
747521031	0.3M	±0.03M	30
747521051	0.5M	±0.03M	30
747521101	1.0M	±0.05M	30
747521151	1.5M	±0.05M	30
747521201	2.0M	±0.05M	30
747521251	2.5M	±0.05M	30
747521301	3.0M	±0.05M	30
747521401	4.0M	±0.05M	30
747521501	5.0M	±0.08M	30
747521601	6.0M	±0.08M	30
747521701	7.0M	±0.08M	30
747521801	8.0M	±0.08M	30
747521901	9.0M	±0.08M	30
747529001	10.0M	±0.08M	30
747522031	0.3M	±0.03M	28
747522051	0.5M	±0.03M	28
747522101	1.0M	±0.05M	28
747522151	1.5M	±0.05M	28
747522201	2.0M	±0.05M	28
747522301	3.0M	±0.05M	28
747522401	4.0M	±0.05M	28
747522501	5.0M	±0.08M	28
747522701	7.0M	±0.08M	28
747522801	8.0M	±0.08M	28
747522901	9.0M	±0.08M	28
747529002	10.0M	±0.08M	28
747529010	15.0M	±0.08M	28

PART NUMBER	LENGTH	TOL.	AWG
747523051	0.5M	±0.03M	26
747523061	0.6M	±0.03M	26
747523101	1.0M	±0.05M	26
747523201	2.0M	±0.05M	26
747523301	3.0M	±0.05M	26
747523501	5.0M	±0.08M	26
747523701	7.0M	±0.08M	26
747523901	9.0M	±0.08M	26
747529003	10.0M	±0.08M	26
747529225	1.6M	±0.05M	26
747529226	1.75M	±0.05M	26
747529227	2.25M	±0.05M	26
747524051	0.5M	±0.03M	24
747524101	1.0M	±0.05M	24
747524201	2.0M	±0.05M	24
747524301	3.0M	±0.05M	24
747524401	4.0M	±0.05M	24
747524501	5.0M	±0.08M	24
747524541	5.4M	±0.08M	24
747524571	5.7M	±0.08M	24
747524601	6.0M	±0.08M	24
747524701	7.0M	±0.08M	24
747524801	8.0M	±0.08M	24
747524901	9.0M	±0.08M	24
747529004	10.0M	±0.08M	24
747529013	11.0M	±0.08M	24
747529008	12.0M	±0.08M	24
747529015	13.0M	±0.08M	24
747529016	14.0M	±0.08M	24
747529007	15.0M	±0.08M	24



YDDDLSSSS
 Y---YEAR, THE LAST DIGIT OF THE YEAR
 DDD---DAY OF THE YEAR
 L---LOCATION (1=US, 2=MEXICO, 3=CHINA, 4=PHILIPPINES)
 SSSS---SERIAL NUMBER (UNIQUE AT P/N LEVEL ONLY)

XXXM---LENGTH AS SHOWN IN P/N CHART

XXAWG---AWG SIZE

SEE REV HISTORY EC NO: CPG2016-0706 DRAWN BY: DRWNGBARDELLA 2015/08/13 CHECKED BY: CHYKDEMDINA 2015/08/13 APPR: ARABURN 2015/08/13 REV DESCRIPTION	QUALITY SYMBOLS	GENERAL TOLERANCES (UNLESS SPECIFIED)	DIMENSION STYLE	SCALE	DESIGN UNITS	THIRD ANGLE PROJECTION	
	▽=0	mm INCH	MM ONLY	1:1	METRIC	☉	
	▽=0	4 PLACES ± --- ± ---					
	▽=0	3 PLACES ± 0.13 ± ---					
		ANGULAR ± 2 °	DRAWN BY: JERWIN 2007/01/30	DATE	TITLE		
		DRAFT WHERE APPLICABLE MUST REMAIN WITHIN DIMENSIONS	CHECKED BY: KLOYD 2007/01/30	DATE	SFP+ 10G PASSIVE CABLE ASSEMBLY		
			APPROVED BY: RMAHMOOD 2007/01/30	DATE			
			MATERIAL NO.	DOCUMENT NO.	SHEET NO.		
			SEE CHART	SD-74752-001	3 OF 4		
			THIS DRAWING CONTAINS INFORMATION THAT IS PROPRIETARY TO MOLEX INCORPORATED AND SHOULD NOT BE USED WITHOUT WRITTEN PERMISSION				

