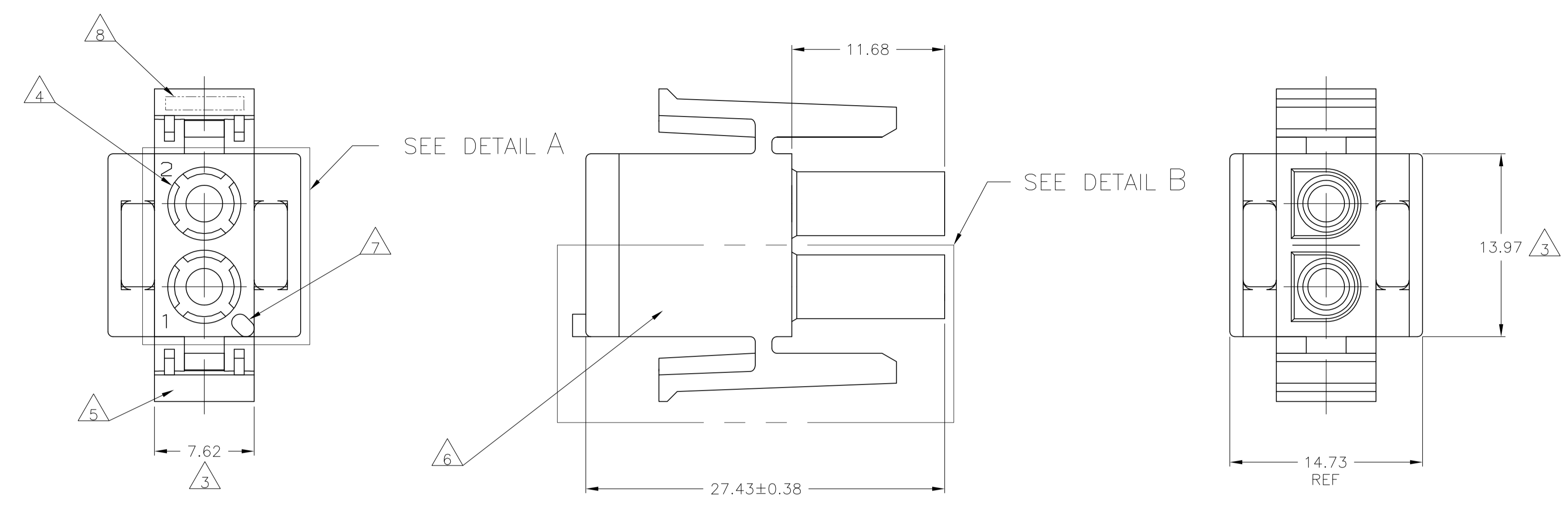
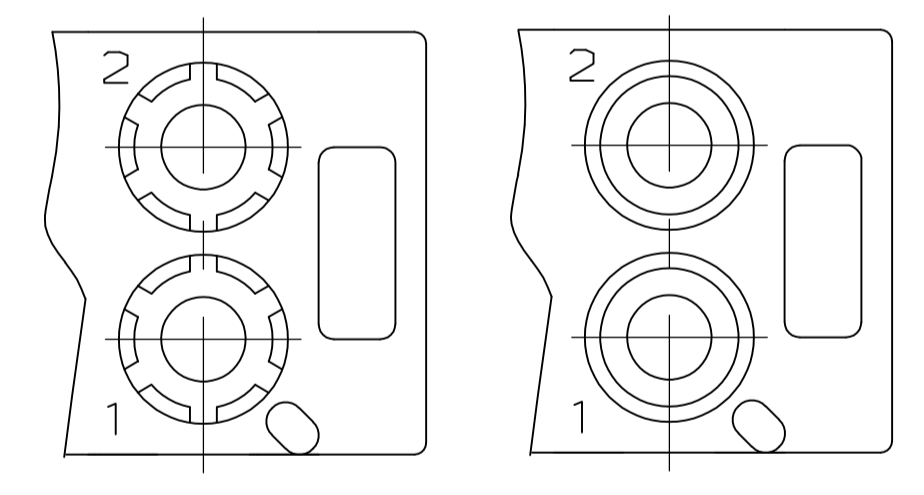
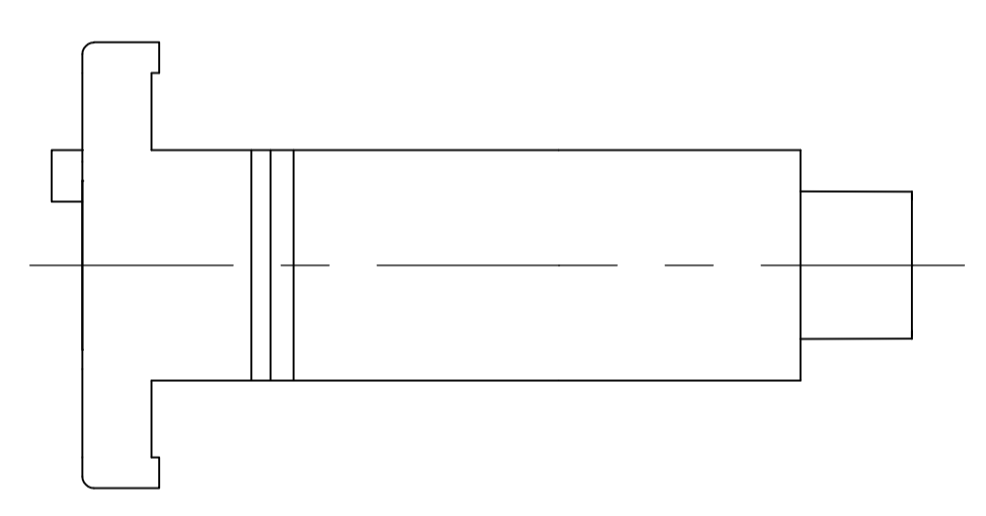


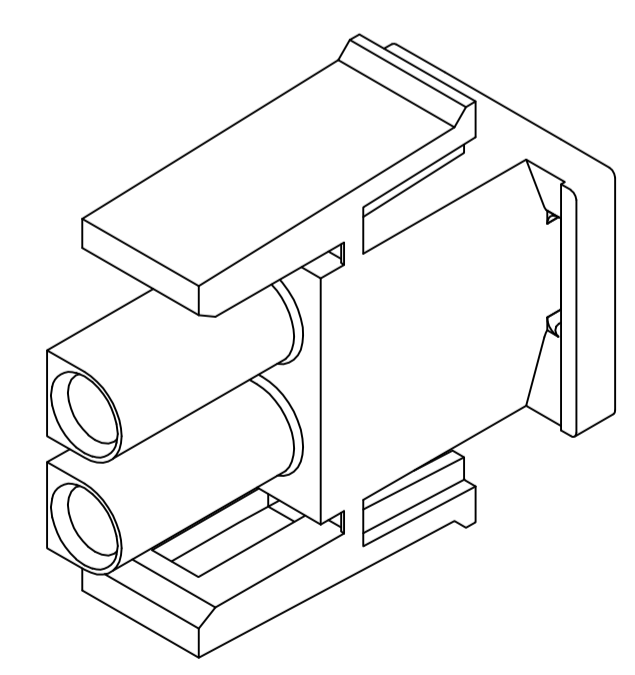
LOC		DIST		REVISIONS			
P	LTR	DESCRIPTION	DATE	DNW	APVD		
B		REV PER ECR 10-018921	13SEPT10	JR	TM		



- MATES WITH APPROPRIATE UNIVERSAL MATE-N-LOK™ CAP OR HEADER.
- SMALL NICKS ARE PERMITTED ON THE CIRCUIT TOWERS WHICH COULD INCREASE THE INITIAL HOUSING MATING FORCE BY UP TO 4.4 NEWTONS [1.0] LBS. NO INDIVIDUAL NICKED TOWER SHALL INCREASE THIS FORCE BY OVER 2.2 NEWTONS [.5] LBS.
- DIMENSION INDICATED IS AS MOLDED. ADDITIONAL GROWTH DUE TO SUBSEQUENT MOISTURE ABSORPTION MAY OCCUR.
- FOUR RIBS EQUALLY SPACED, NO SPECIFIC ORIENTATION, NO RIBS OR SIX RIBS EQUALLY SPACED, NO SPECIFIC ORIENTATION, OPTIONAL.
- MANUFACTURING LOCATION ID (OPTIONAL).
- UNDERWRITERS RECOGNIZED COMPONENT LOGO AND CSA CERTIFICATION LOGO TO BE LOCATED ONCE ON ANY SIDE OF HOUSING.
- POSITION #1 LOCATOR FEATURE MAY BE ROUND OR OBLONG (AS DEPICTED).
- TRADEMARK LOCATION (AMP OR TYCO).
- FLAMMABILITY V2 FOR THICKNESS 0.38mm, 1.5mm, and 3.0mm PER IEC 60695-11-10.
- GLOW-WIRE FLAMMABILITY (GWFI) 800°C FOR THICKNESS 0.38mm AND 0.75mm PER IEC 60695-2-12.
- GLOW-WIRE FLAMMABILITY (GWFI) 960°C FOR THICKNESS 1.5mm AND 3.0mm PER IEC 60695-2-12.
- GLOW-WIRE IGNITION (GWIT) 825°C FOR THICKNESS 0.38mm, 0.75mm, 1.5mm AND 3.0mm PER IEC 60695-2-13.



DETAIL A
OPTIONAL CONSTRUCTION



3-DIMENSIONAL MODEL
NTS

MM	IN
27.43	1.080
14.73	.580
13.97	.550
11.68	.460
7.62	.300
3	.118
0.4	.016
0.38	.015
0.13	.005

CONVERSION TABLE

METRIC

NATURAL	1586851-1
COLOR	PART NUMBER

THIS DRAWING IS A CONTROLLED DOCUMENT.

DIMENSIONS: mm	TOLERANCES UNLESS OTHERWISE SPECIFIED:	DIN K. WHITAKER 19JUL2007	APVD D. COLEY 19JUL2007	NAME D. COLEY 19JUL2007	TYCO Electronics	Tyco Electronics Corporation Harrisburg, PA 17105-3608
0. PLC ± -	1. PLC ± -	2. PLC ± 0.13	3. PLC ± -	4. PLC ± -	ANGLES ± 0°30'	FINISH -
MATERIAL NYLON,UL94V-2	WEIGHT -	SIZE A1	CAGE CODE 00779	DRAWING NO. C=1586851	RESTRICTED TO -	CUSTOMER DRAWING
		SCALE 4:1	SHEET 1 of 1	REV B		