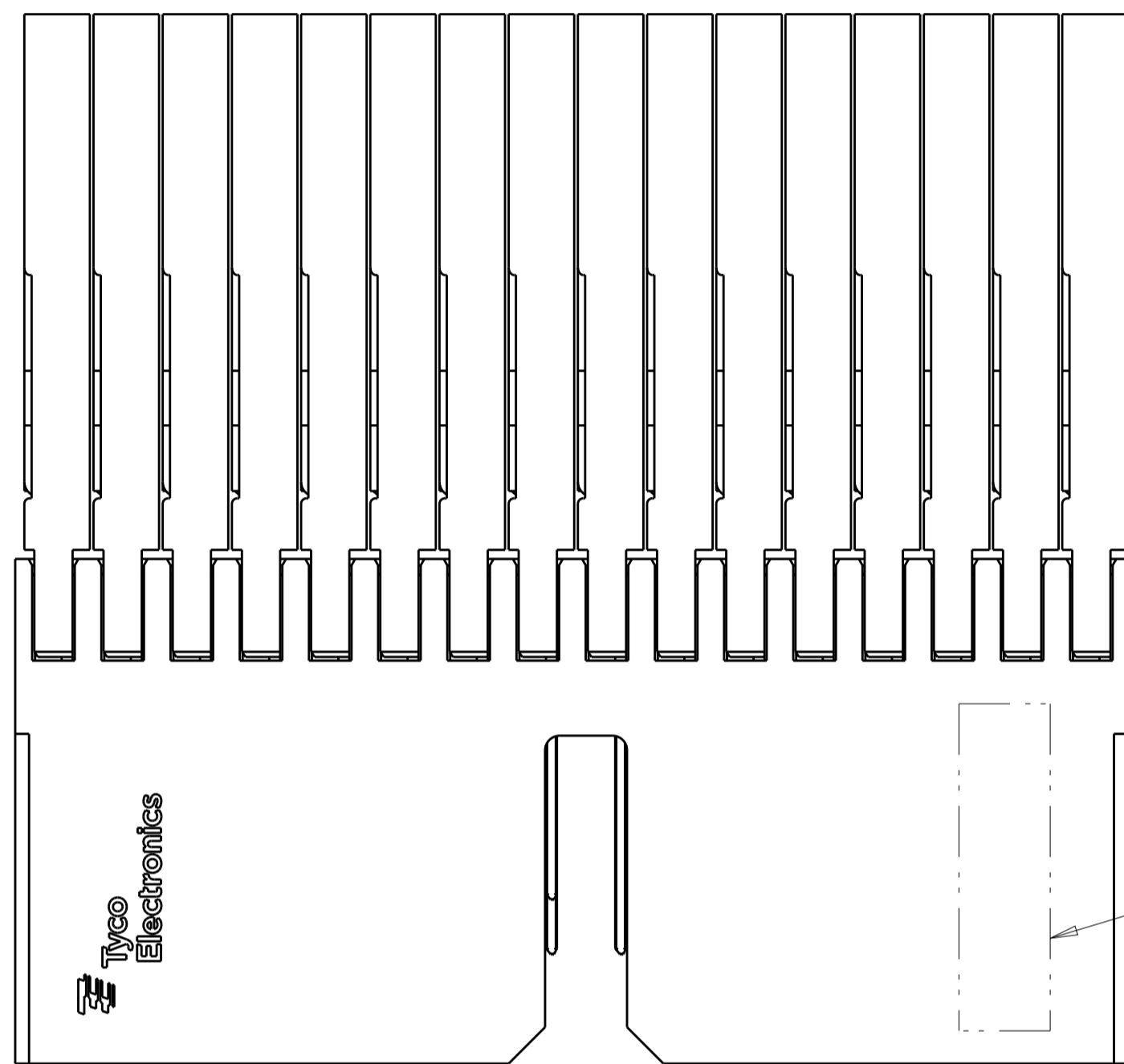
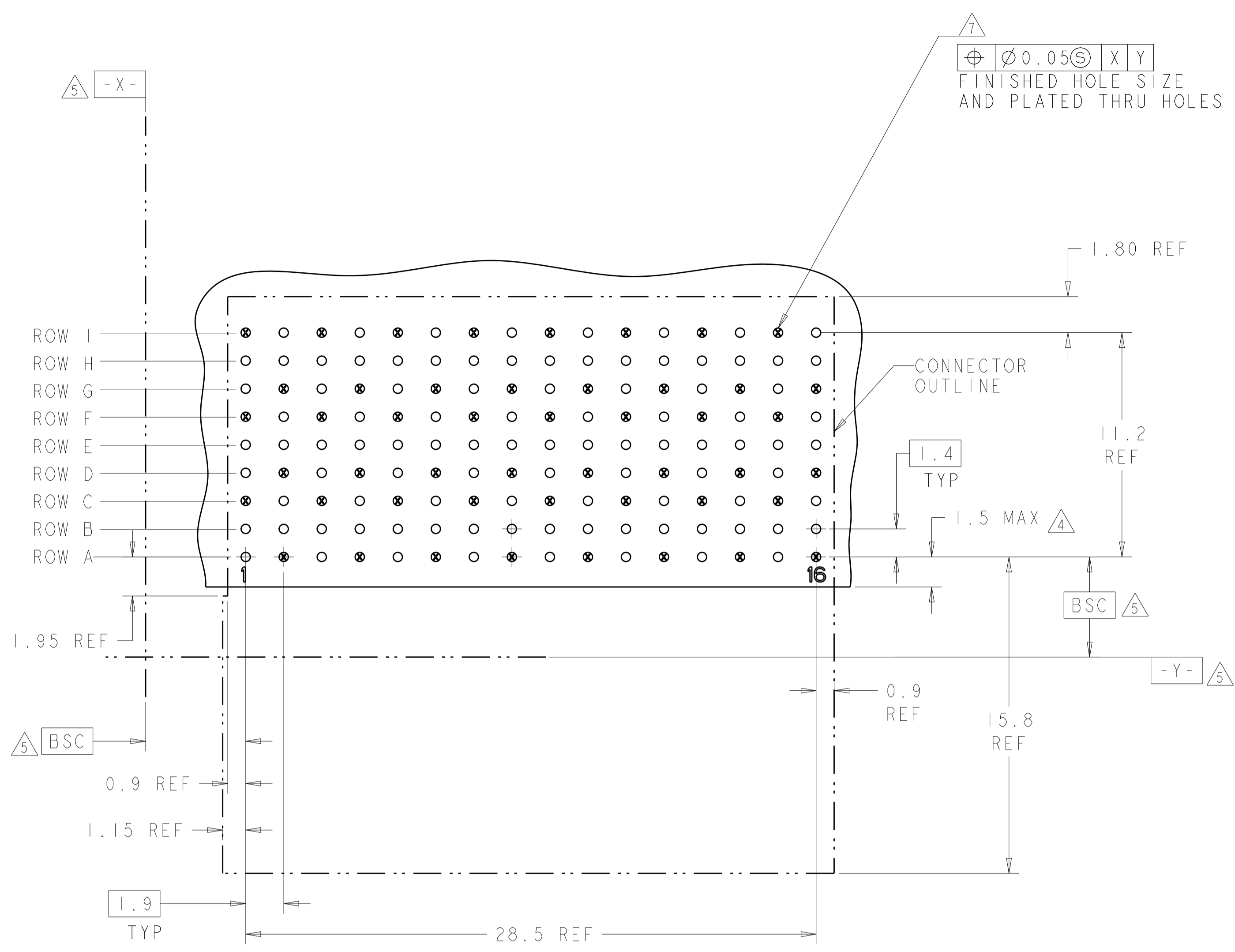


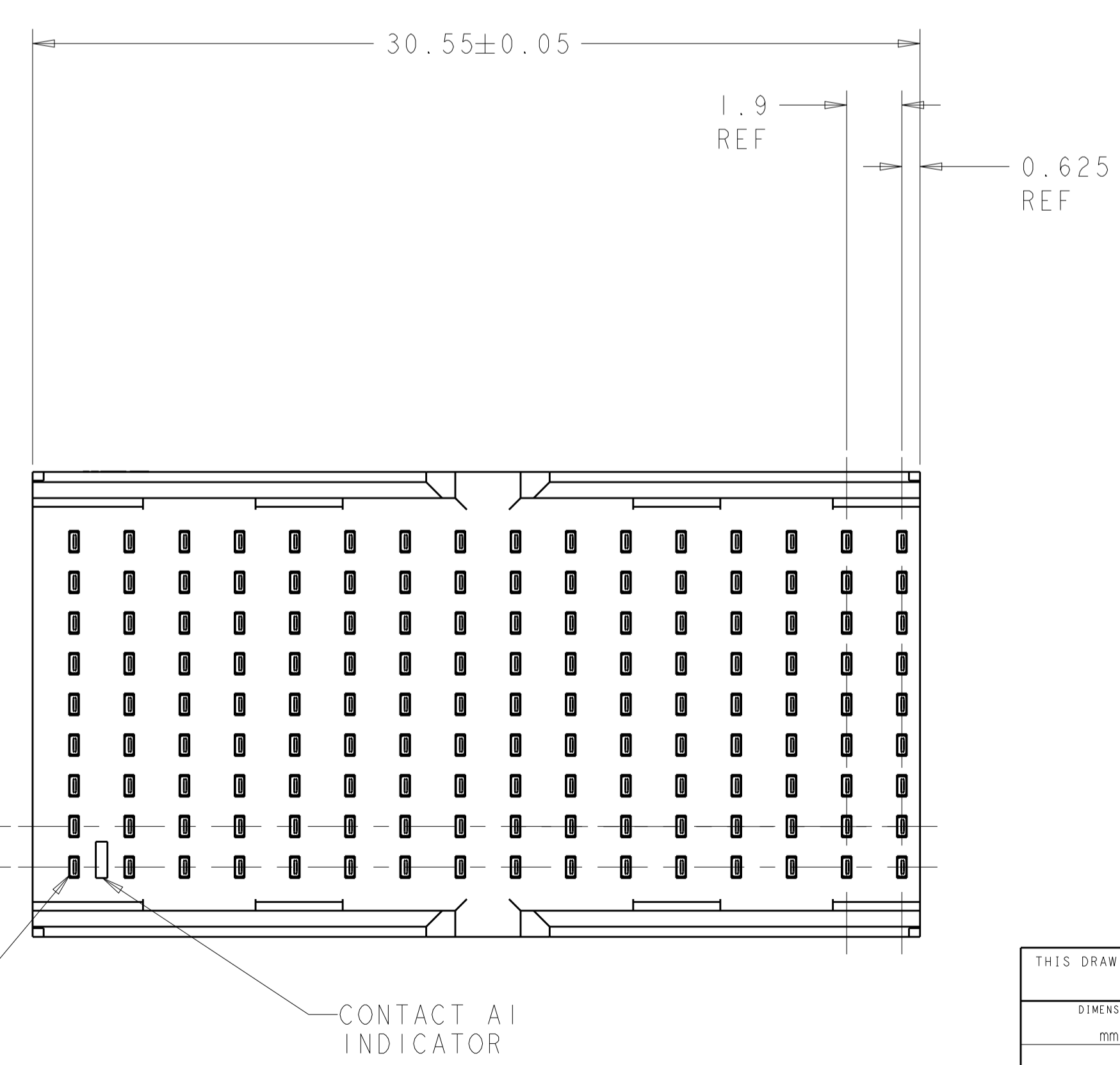
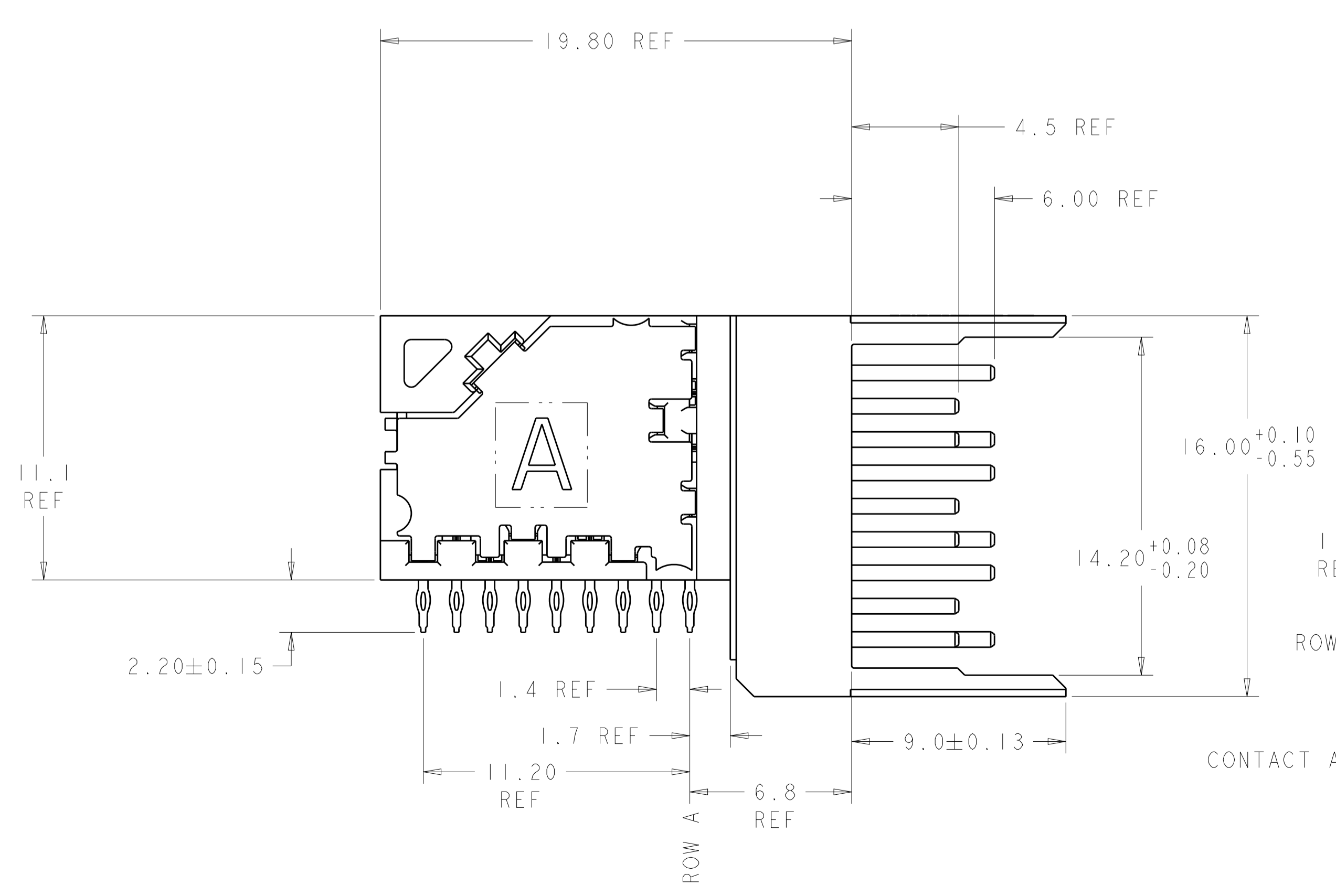
LOC		DIST		REVISIONS			
P	LTN	DESCRIPTION	DATE	DWN	APVD		
C		REVISED PER ECO-13-002771	25FEB2013	KH	RP		



- △ MATERIAL:  
CONTACT AND SHIELD: PHOS BRONZE  
HOUSING AND CHICKLET: LCP, UL 94V-0, COLOR: BLACK
- △ FINISH:  
CONTACT AREA FINISH CONFORMS TO THE REQUIREMENTS OF TE PRODUCT SPECIFICATION 108-2303; BASED ON TELCORDIA GR-1217-CORE FOR SYSTEM QUALITY LEVEL III, APPLICATIONS IN CONTROLLED ENVIRONMENTS (CENTRAL OFFICE).  
COMPLIANT PIN AREA- 0.5µm MIN MATTE TIN OVER 1.27µm MIN NICKEL.  
SHIELD 1.27µm MIN NICKEL.
- △ CONNECTOR MARKED WITH PART NUMBER, DATE CODE, AND STANDARD IN APPROXIMATE AREA SHOWN.
- △ DIMENSION APPLIES TO CENTERLINE OF THRU HOLE.
- △ DATUMS AND BASIC DIMENSIONS ESTABLISHED BY CUSTOMER.
- 6. CONTACT AREA LUBRICATED WITH BELLCORE APPROVED LUBRICANT. TECHNICAL REFERENCE: GR-1217-CORE, ISSUE 1, NOVEMBER 1995.
- △ REFERENCE APPLICATION SPEC 114-13202 FOR RECOMMENDED PLATED THRU HOLE DIAMETER AND PLATING THICKNESS.
- △ ALL GROUNDS IN ODD NUMBERED COLUMNS ARE COMMONED. ALL GROUNDS IN EVEN NUMBERED COLUMNS, EXCEPT FOR ROW A ARE COMMONED.

○ = SIGNAL  
 ⊗ = GROUND △

RECOMMENDED PC BOARD LAYOUT  
 COMPONENT SIDE SHOWN



1934355-1  
 PART NUMBER

THIS DRAWING IS A CONTROLLED DOCUMENT.		DWN S. J. MAGARO 16AUG2007	
DIMENSIONS:		CHK W. DAVIS 16AUG2007	
mm	TOLERANCES UNLESS OTHERWISE SPECIFIED:	APVD R. PATTERSON 12OCT2007	NAME
	0 PLC ±	PRODUCT SPEC	RIGHT ANGLE HEADER ASSEMBLY, OPEN ENDED, 3 PAIR, 16 COLUMN, Z-PACK TinMan
	1 PLC ±	APPLICATION SPEC	SIZE CAGE CODE DRAWING NO RESTRICTED TO
	2 PLC ±	WEIGHT	A100779C=1934355
	3 PLC ±	CUSTOMER DRAWING	SCALE 6:1 SHEET 1 OF 1 REV C
MATERIAL	FINISH		