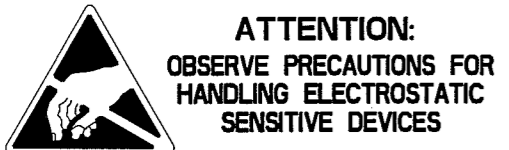
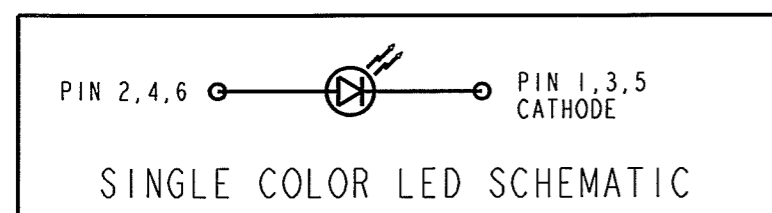
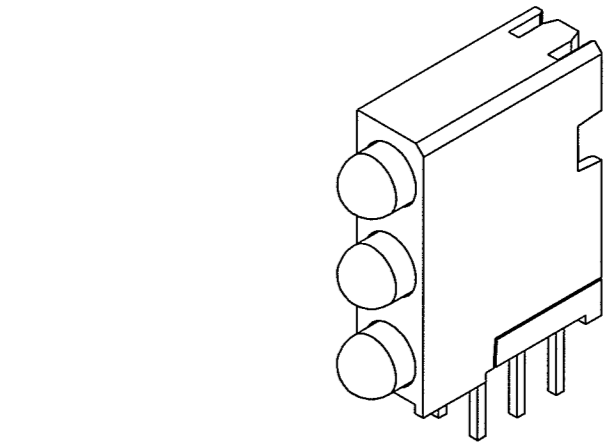
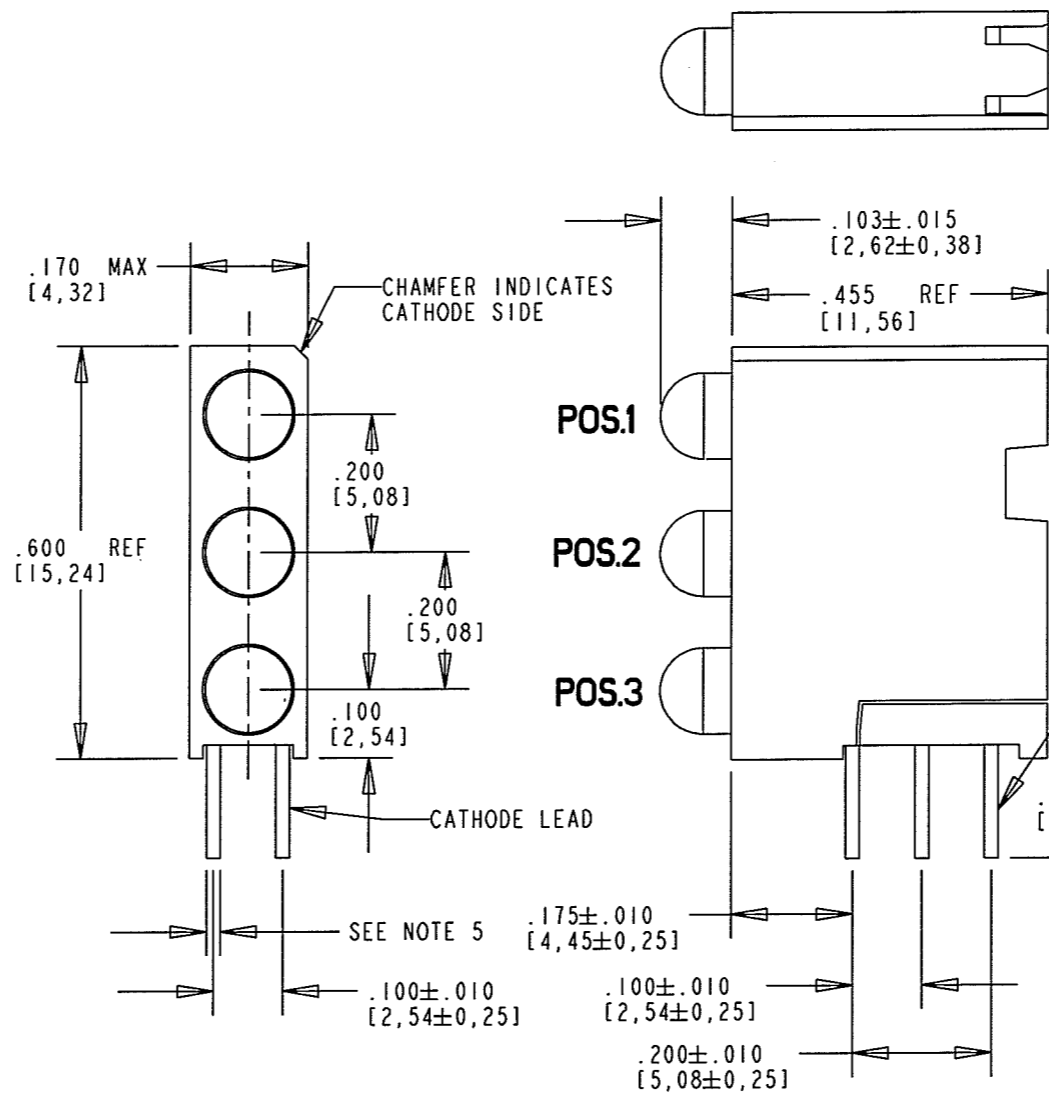


PART NUMBER and LEGEND	LED COLOR		
	POSITION 1	POSITION 2	POSITION 3
564-0100-822F	BLUE WATER CLEAR	YELLOW WATER CLEAR	GREEN WATER CLEAR

REV	ECN NO	REVISIONS	DRN	CKD	APP	DATE
A	—	NEW RELEASE	ALV	MES	N.O.	10-27-06
B	—	CHANGED HEIGHT .544 WAS .600.	ALV	N.O.	MES	10-4-06
C	—	UPDATED YELLOW LED SPECIFICATIONS	SM	N.O.	MES	11-14-06
D	—	UPDATED BLUE LED SPECIFICATIONS	KLJ	N.O.	MES	2-7-08
E	—	UPDATED GREEN LED SPECS, ADDED METRIC DIMENSIONS.	KLJ	N.O.	MES	4/4/08

OPERATING CHARACTERISTICS AT 25°C AMBIENT						
CHARACTERISTICS	LED COLOR	MIN	TYP	MAX	UNITS	TEST CONDITIONS
LUMINOUS INTENSITY	YELLOW	180	320		mcd	$I_f = 20 \text{ mA}$
	GREEN	280		710		$I_f = 10 \text{ mA}$
	BLUE	110		310		$I_f = 20 \text{ mA}$
FORWARD VOLTAGE	YELLOW		2.0	2.4	V	$I_f = 20 \text{ mA}$
	GREEN	2.7	3.0	3.7		$I_f = 10 \text{ mA}$
	BLUE		3.5	4.0		$I_f = 20 \text{ mA}$
REVERSE CURRENT	YELLOW			100	μA	$V_R = 5 \text{ V}$
	GREEN		.01	10		
	BLUE			10		
PEAK WAVELENGTH	YELLOW		588		nm	
	GREEN		523			
	BLUE		470			
VIEWING ANGLE	YELLOW		56		Degree	
	GREEN		30			
	BLUE		45			

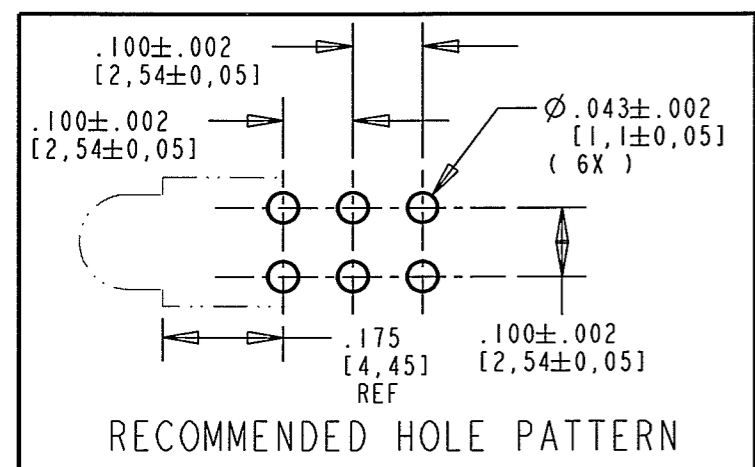


- NOTES:
- LEADS TO FIT INTO HOLES SPACED AS PER HOLE PATTERN.
 - WHEN A ZERO APPEARS IN THE LAST 3 DIGITS OF THE PART NUMBER THIS MEANS NO LAMP REQUIRED IN THAT POSITION.
 - LED LEAD DIMENSIONS SHOWN ARE MEASURED AT HOUSING EXIT.
 - PIN NUMBERS FOR REFERENCE ONLY, DESIGNATION NON-EXISTENT ON PARTS.
 - BLUE, GREEN: .020 SQ; YELLOW: .018 x .016
 - DIALIGHT PART NO. 564-0100-822F

* ATTENTION: OBSERVE PRECAUTIONS FOR HANDLING ELECTROSTATIC SENSITIVE DEVICES.

RoHS Compliant 564-0100-822F Thru hole Tri-Level CBI

Part Numbers with the "F" suffix ending are RoHS Compliant. The bag packaging is marked with "RoHS Compliant" label or equivalent markings. Parts can be wave soldered, dip soldered or hand soldered using typical lead-free soldering process with max 260°C temp. for 5 sec.



ABSOLUTE MAXIMUM RATING AT 25°C AMBIENT		UNITS	YELLOW	GREEN	BLUE
POWER DISSIPATION		mW	75	80	140
CONTINUOUS FORWARD CURRENT		mA	30	20	30
DERATING LINEAR FROM 50°C / 25°C FOR BLUE / 65°C FOR GREEN		mA/°C	0.4	0.57	0.32
PEAK FORWARD CURRENT (1/10 DUTY CYCLE, 0.1 ms PULSE WIDTH)		mA	60	—	100
LEAD SOLDERING TEMPERATURE, 5 SEC., 1/16" FROM BODY		°C	260		
OPERATING TEMPERATURE		°C	-40 TO +100	-55 TO +100	-35 TO +85
STORAGE TEMPERATURE		°C	-55 TO +100		-35 TO +85

THIS DRAWING AND THE CONTENTS HEREIN ARE CONFIDENTIAL AND THE SOLE PROPERTY OF DIALIGHT. REPRODUCTION OF THIS DRAWING OR CONSTRUCTION OF ANY PARTS WITHIN THIS DRAWING ARE FORBIDDEN WITHOUT THE WRITTEN CONSENT OF DIALIGHT.		
SCALE: DRAWING SCALE	DRAWING NUMBER	REV
ALL DIM'S IN: INCHES (MM)	C-17437	E
TOLERANCES: UNLESS OTHERWISE SPECIFIED	TITLE 3 X 1 CBI BLOCK B, Y, G RoHS COMPLIANT	
FRACTIONS: ±1/64 DECIMALS (.XX): ±.01 DECIMALS (.XXX): ±.005 DECIMALS (.XXXX): ±.0005 ANGLES: ±1°	MATERIAL	
FINISH:	Dialight 1501 ROUTE 34 SOUTH FARMINGDALE, NJ 07727	
FSCM 83330	SHEET 1 OF 1	FAMILY TABLE: