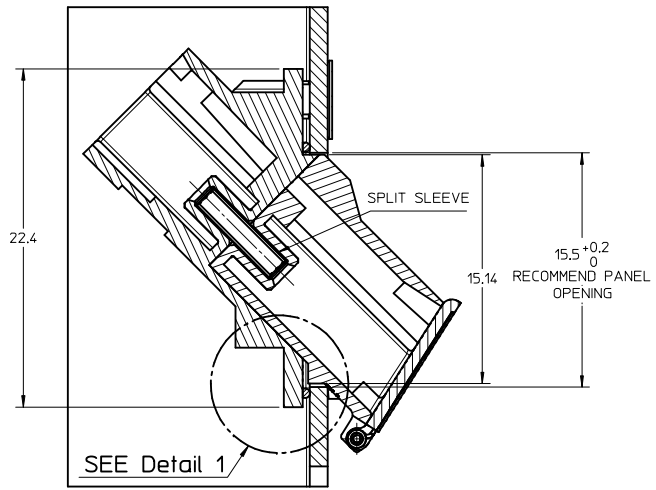
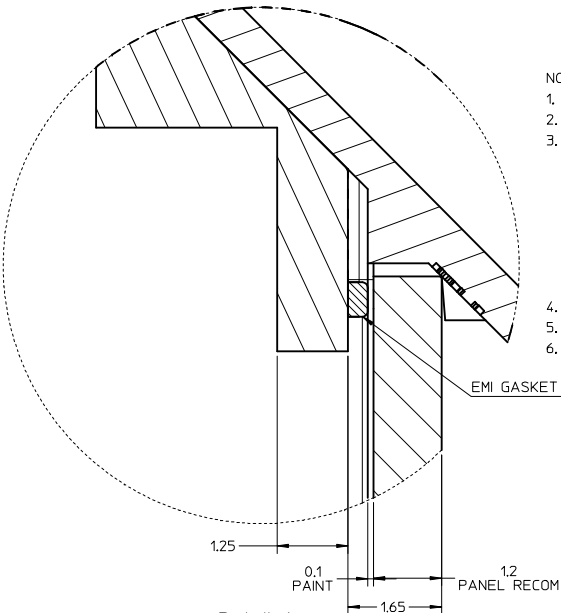
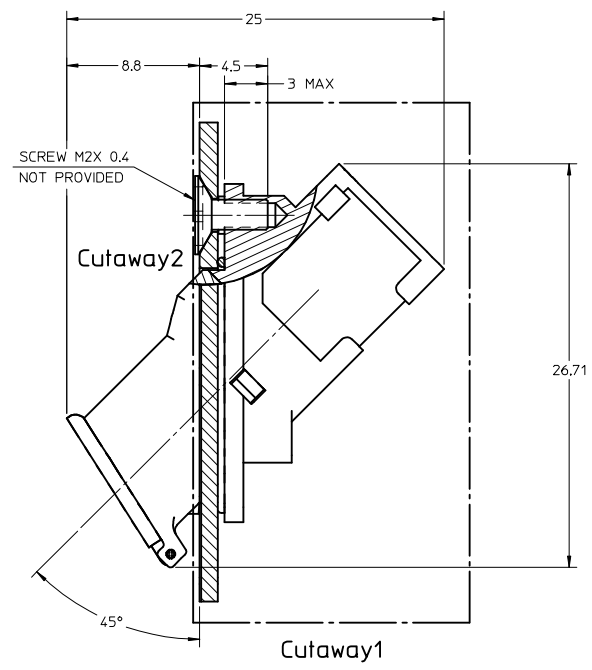
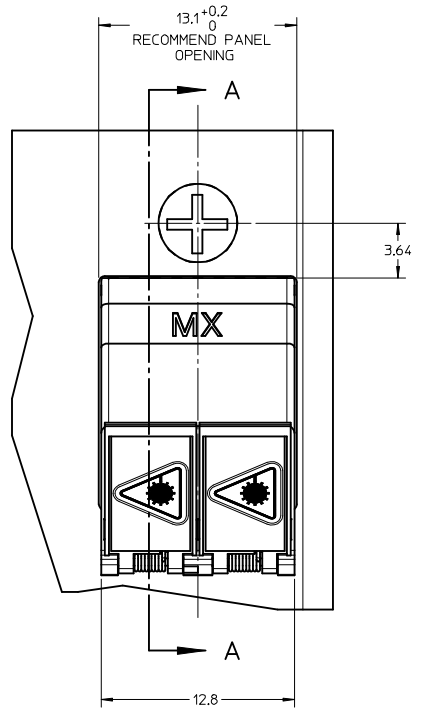


ADAPTER P/N	PLASTIC RECEPTACLE COLOR	SPLIT SLEEVE MATERIAL	SHUTTER DOORS MATERIAL
106115-3200	BLUE	Zr	METAL
106115-3201	GREEN		
106115-3206	BLUE	Ph. Bronze	
106115-3205	BLUE	Zr	PLASTIC, COLOR - BLUE

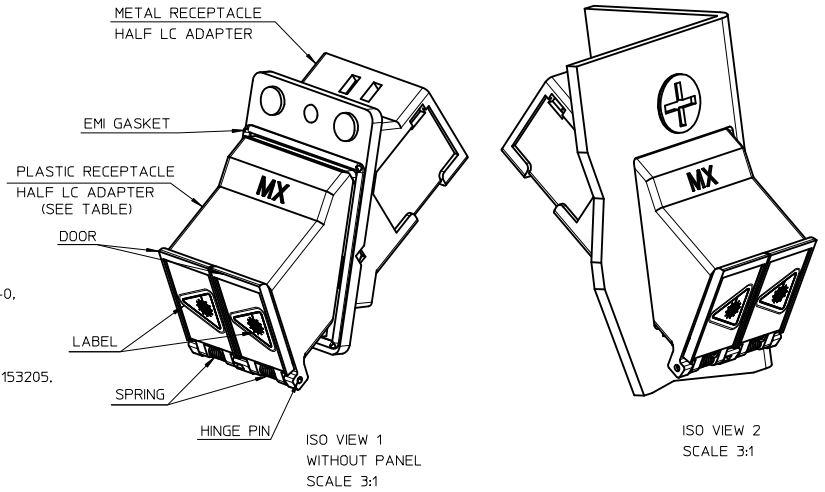


SECTION A-A



Detail 1
SCALE 15:1

- NOTES:
- ALL DIMENSIONS ARE FOR REFERENCE ONLY.
 - PARTS SHOWN ASSEMBLED FOR CUSTOMER REFERENCE ONLY.
 - MATERIAL AND PLATING:
 - A. METAL RECEPTACLE HALF LC ADAPTER - ZINC DIE CAST PLATING - NICKEL,
 - B. PLASTIC RECEPTACLE HALF LC ADAPTER - POLYETHER IMIDE (PEI) UL94 V-0,
 - C. GASKET - SILICONE CONDUCTIVE ELASTOMER SNN 45.
 - D. SPLIT SLEEVE - ZIRCONIA,
 - E. LABEL - POLYESTER (UL 969)
 - F. ALL OTHER PARTS-METAL, EXCEPT PLASTIC SHUTTER DOORS FOR P/N 1061153205.
 - LC DUPLEX WASH CAP (DUST CAP) NOT SHOWN - TEO ELASTOMER UL94 V-0
 - PACKAGING: 25 ADAPTERS PER TRAY AND 4 TRAYS PER BOX.
 - PACKING TRAY AND SHIPPING CONTAINER ARE LABELED WITH PRODUCT REVISION.



ENTER DESCRIPTION EC NO: MF2015-0456 DRWN: GUMIN 2015/01/30 CHKD: APPR: GUMIN 2015/02/03	QUALITY SYMBOLS 	GENERAL TOLERANCES (UNLESS SPECIFIED)		DIMENSION STYLE MM ONLY		SCALE 4:1	DESIGN UNITS METRIC	THIRD ANGLE PROJECTION		
		4 PLACES ± --- ± ---	3 PLACES ± --- ± ---	2 PLACES ± --- ± ---	1 PLACE ± --- ± ---	0 PLACE ± ±	DRAWN BY: RPACIFIC1 DATE: 2006/01/31 CHECKED BY: DATE:		LC ADAPTER (EMI) 45 DEG SCREW MOUNT	
		ANGULAR ±1/2°					APPROVED BY: WCHEN DATE: 2010/08/30			
		DRAFT WHERE APPLICABLE MUST REMAIN WITHIN DIMENSIONS					MATERIAL NO. SEE TABLE		DOCUMENT NO. SD-106115-3200	
REV B4	SIZE C	THIS DRAWING CONTAINS INFORMATION THAT IS PROPRIETARY TO MOLEX INCORPORATED AND SHOULD NOT BE USED WITHOUT WRITTEN PERMISSION					SHEET NO. 1 OF 1			