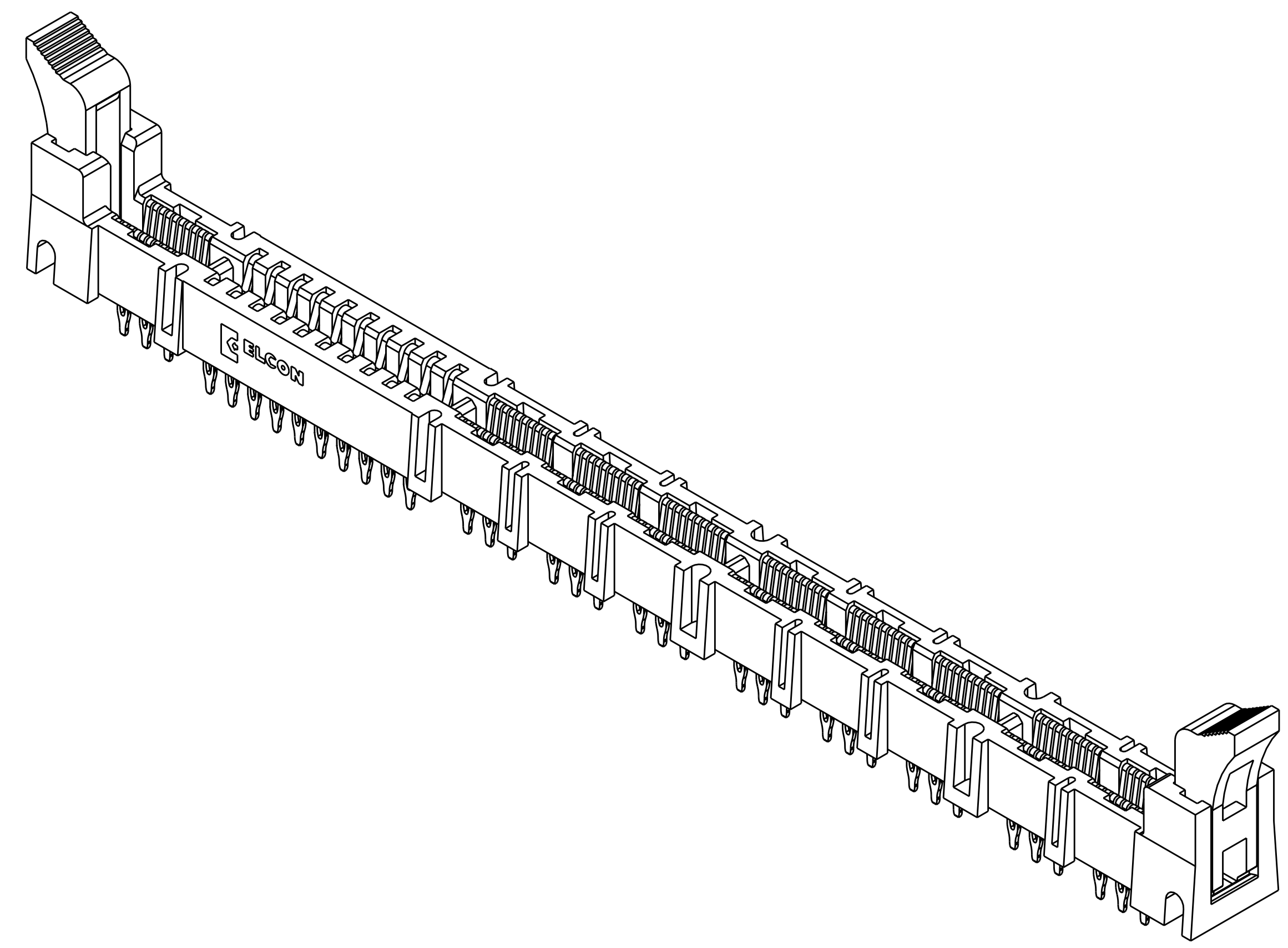


LOC	DIST	REV	DATE	BY	APPD
-	-	E	19JAN2009	CR	PD



- PART NUMBER CHANGES AND OR DESIGN CHANGES AFFECTING ITEM INTERCHANGEABILITY REQUIRE PRIOR TYCO ELECTRONICS APPROVAL AND AUTHORIZATION BY REVISION TO THIS DRAWING.
- MATERIAL:
 INSULATORS: THERMOPLASTIC, GLASS REINFORCED
 UL94V-0 FLAMMABILITY RATED.
 CONTACTS: COPPER ALLOY
- FINISHES:
 CONTACT PLATING: SELECTIVE GOLD: 0.76µm MIN THK
 OVER NICKEL: 1.27µm MIN THK
 PCB TERMINATION: TIN PLATED, MATTE FINISH: 1.78µm MIN THK
 OVER NICKEL: 1.27µm MIN THK

4. CONNECTOR ACCEPTS 2.36±0.13 THK PCB.

- ⚠ KEEP OUT AREA FOR COMPONENTS ONLY.
- ⚠ FEATURE REQUIRED FOR USE WITH LATCH.
- ⚠ CAUTION:
 LATCHES ARE INTENDED FOR RETENTION OF PC BOARD TO CONNECTOR.
 DO NOT ATTEMPT TO FULLY EJECT PC BOARD FROM CONNECTOR WHILE
 DISENGAGING LATCHES, DAMAGE TO LATCHES AND OR CONNECTOR MAY OCCUR.

⚠ RECOMMENDED GOLD FINGER LENGTH FOR RELIABLE CONTACT.

9. A REFERENCE DIMENSION (X.XX) IS WITHOUT TOLERANCE AND USED FOR INFORMATION PURPOSE ONLY.

10. ITEMS PROVIDED TO THIS SPECIFICATION TO BE PERMANENTLY IDENTIFIED PER THE FOLLOWING IDENTIFIER:

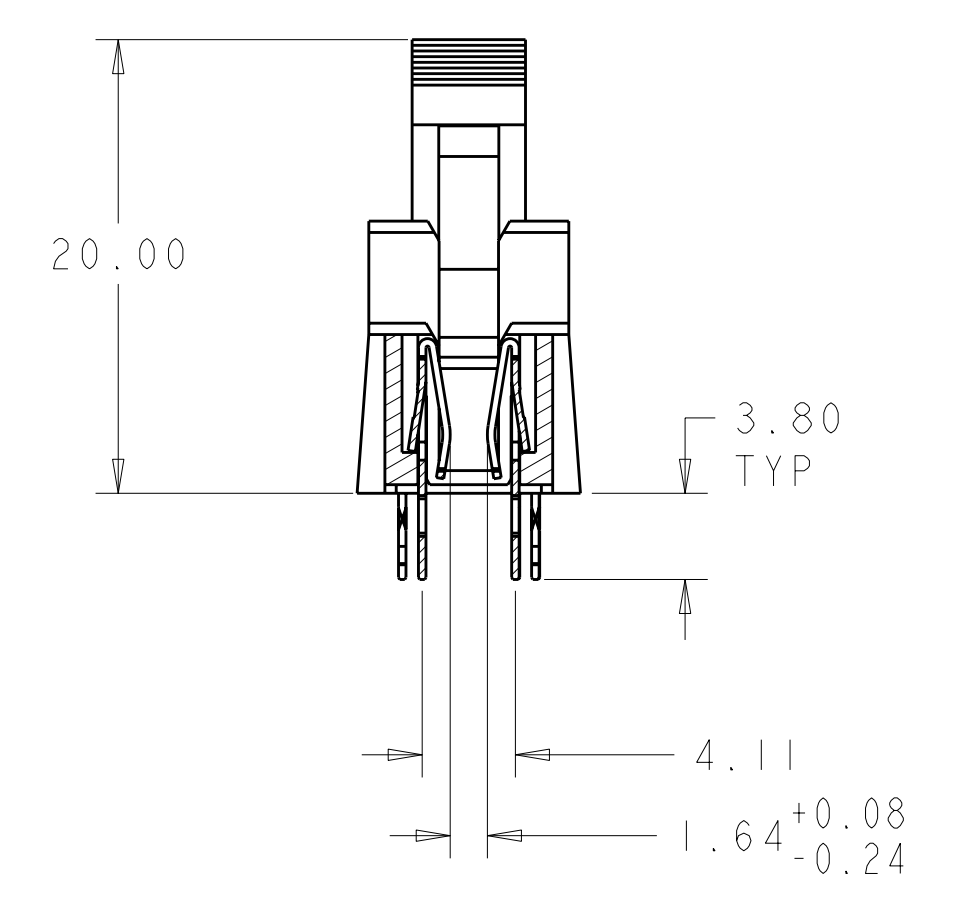
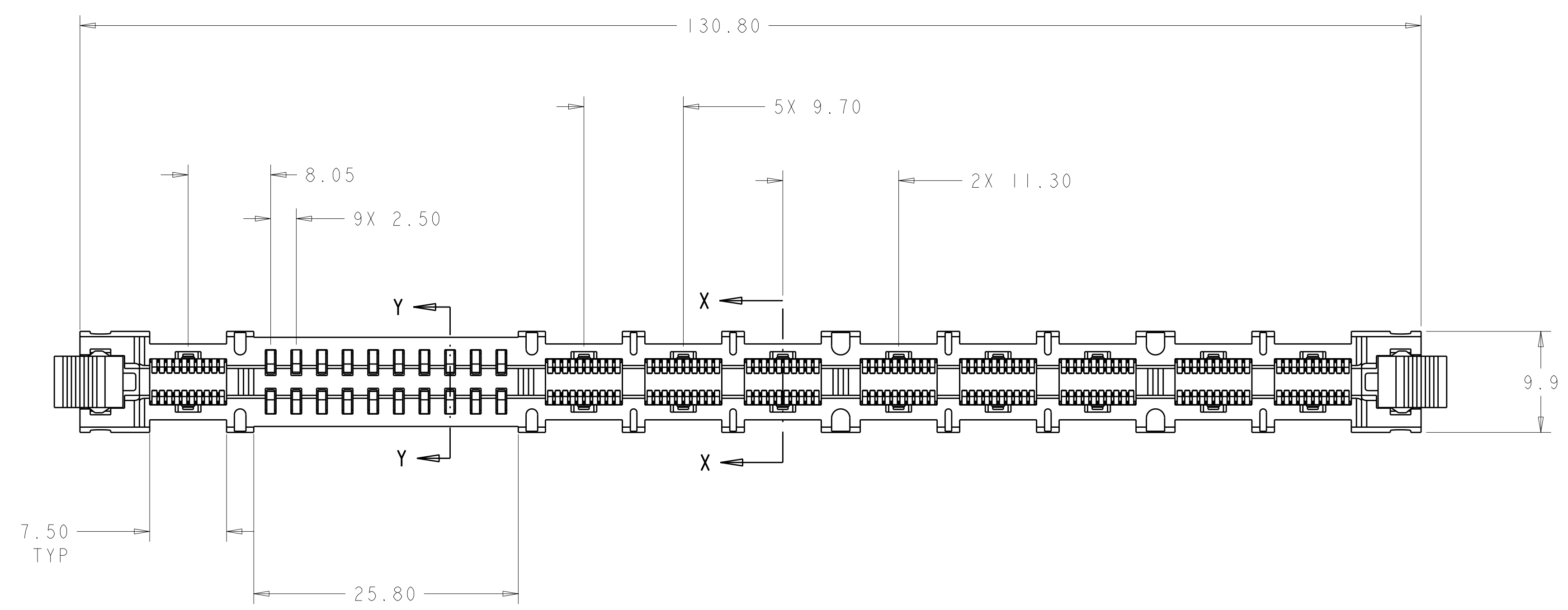


11. REFERENCE TYCO ELECTRONICS PN 1766443-1

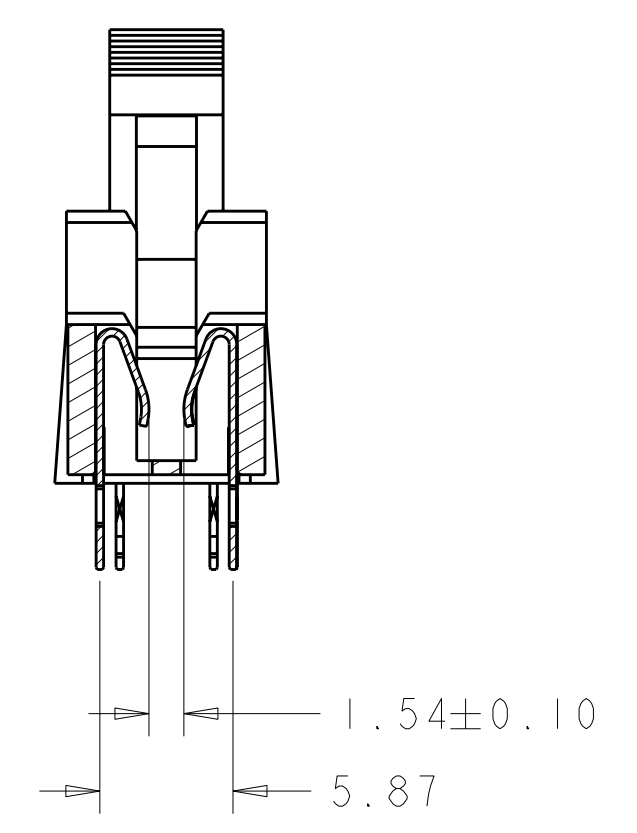
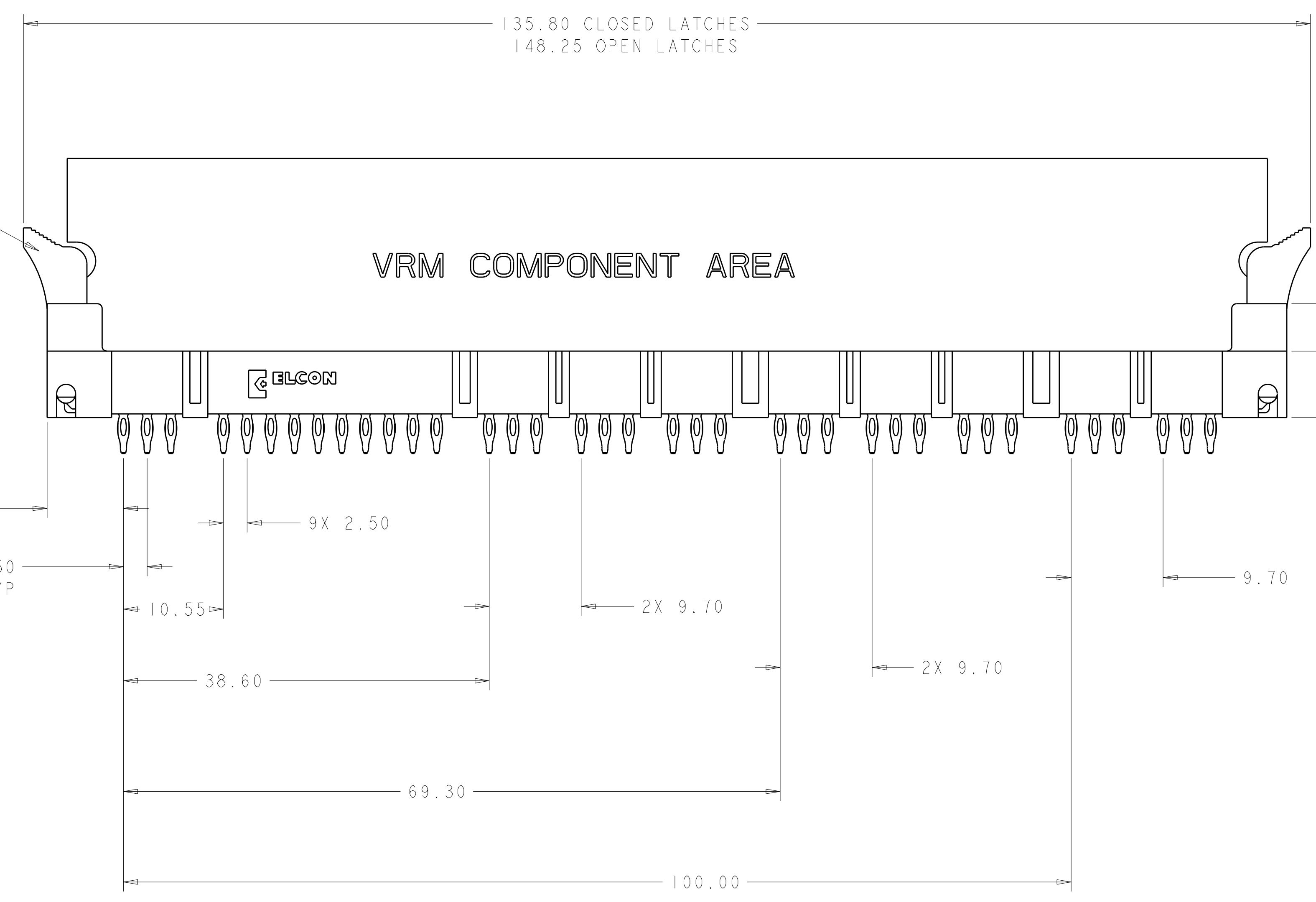
- ⚠ RECOMMENDED PRINTED CIRCUIT HOLE:
 FINISHED HOLE: Ø1.02±0.08
 DRILLED HOLE: Ø1.15±0.013
 COPPER PLATE: 0.025 MINIMUM (PER SURFACE)
 TIN PLATE: 0.008 MINIMUM (PER SURFACE)

<small>THIS DRAWING IS UNPUBLISHED. RELEASED FOR PUBLICATION BY TYCO ELECTRONICS CORPORATION. ALL RIGHTS RESERVED.</small>		DWN: C. ROHLER 19JAN2009 CHK: P. DAMATO 19JAN2009 APPD: M. PERCHERKE 19JAN2009	Tyco Electronics Harrisburg, PA 17105-3608
DIMENSIONS: mm 	TOLERANCES UNLESS OTHERWISE SPECIFIED: 0 PLC ±.5 1 PLC ±.5 2 PLC ±.25 3 PLC ±.5 4 PLC ±.5 ANGLES ±.5 FINISH -	NAME: MC-P9S10 MINI CROWNEDGE SOCKET CONNECTOR, COMPLIANT TAIL PRODUCT SPEC - APPLICATION SPEC - WEIGHT - CUSTOMER DRAWING	SIZE: A CAGE CODE: 100779 DRAWING NO: C=1766443 SCALE: 3:1 SHEET: 1 OF 4 REV: E

LOC	DIST	REV	DATE	BY	APPD
-	-	1	-	-	-
DESCRIPTION			DATE	DWN	APPD
SEE SHEET 1			-	-	-



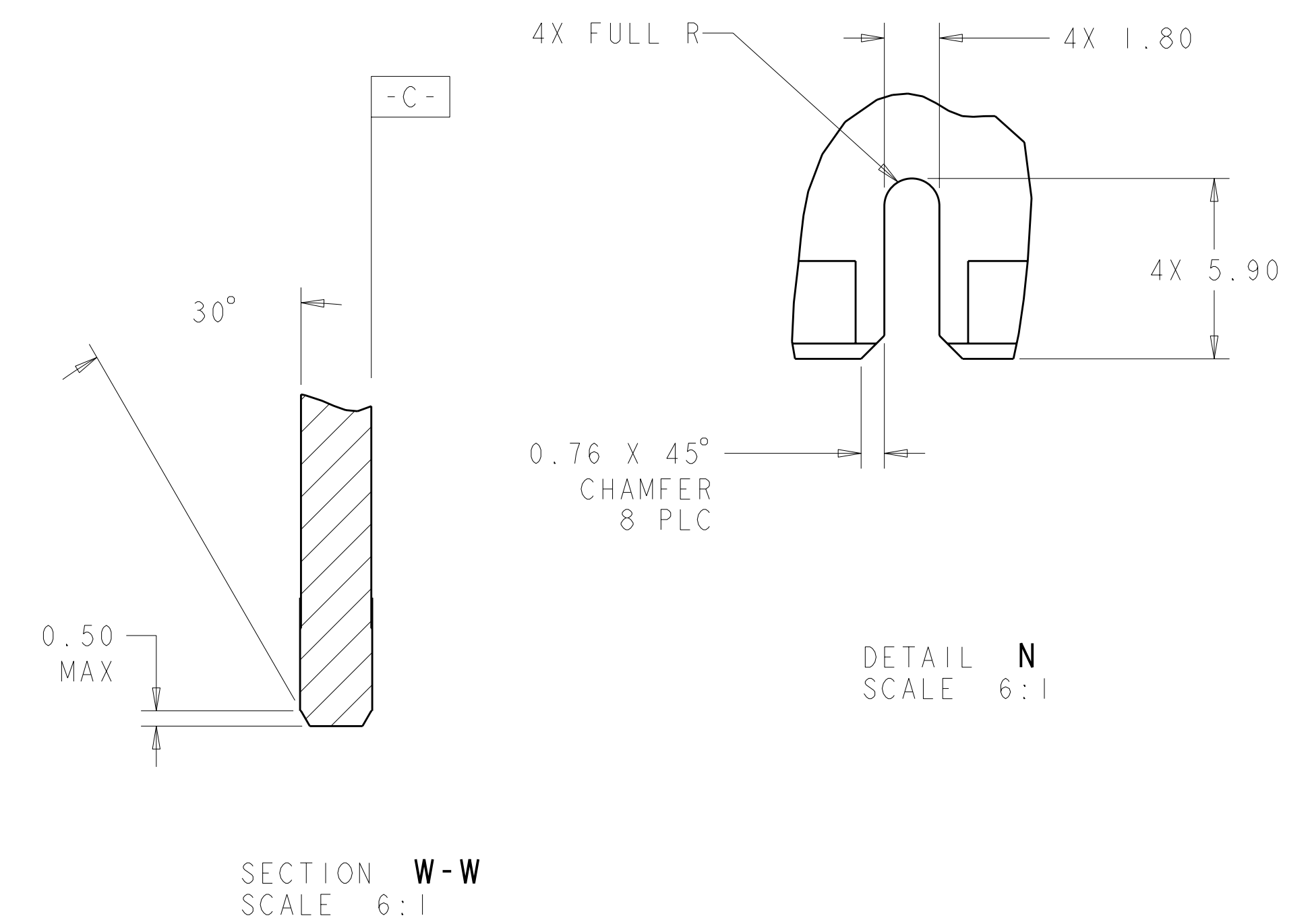
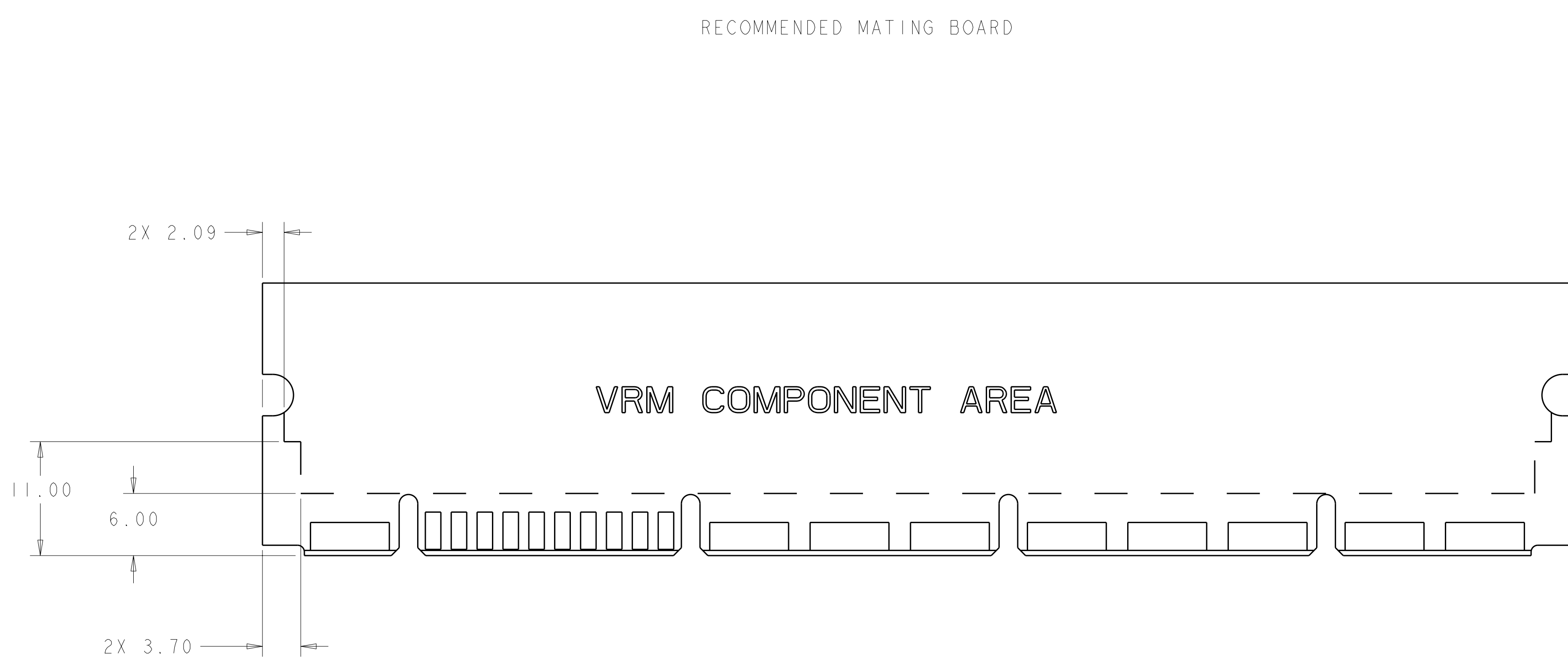
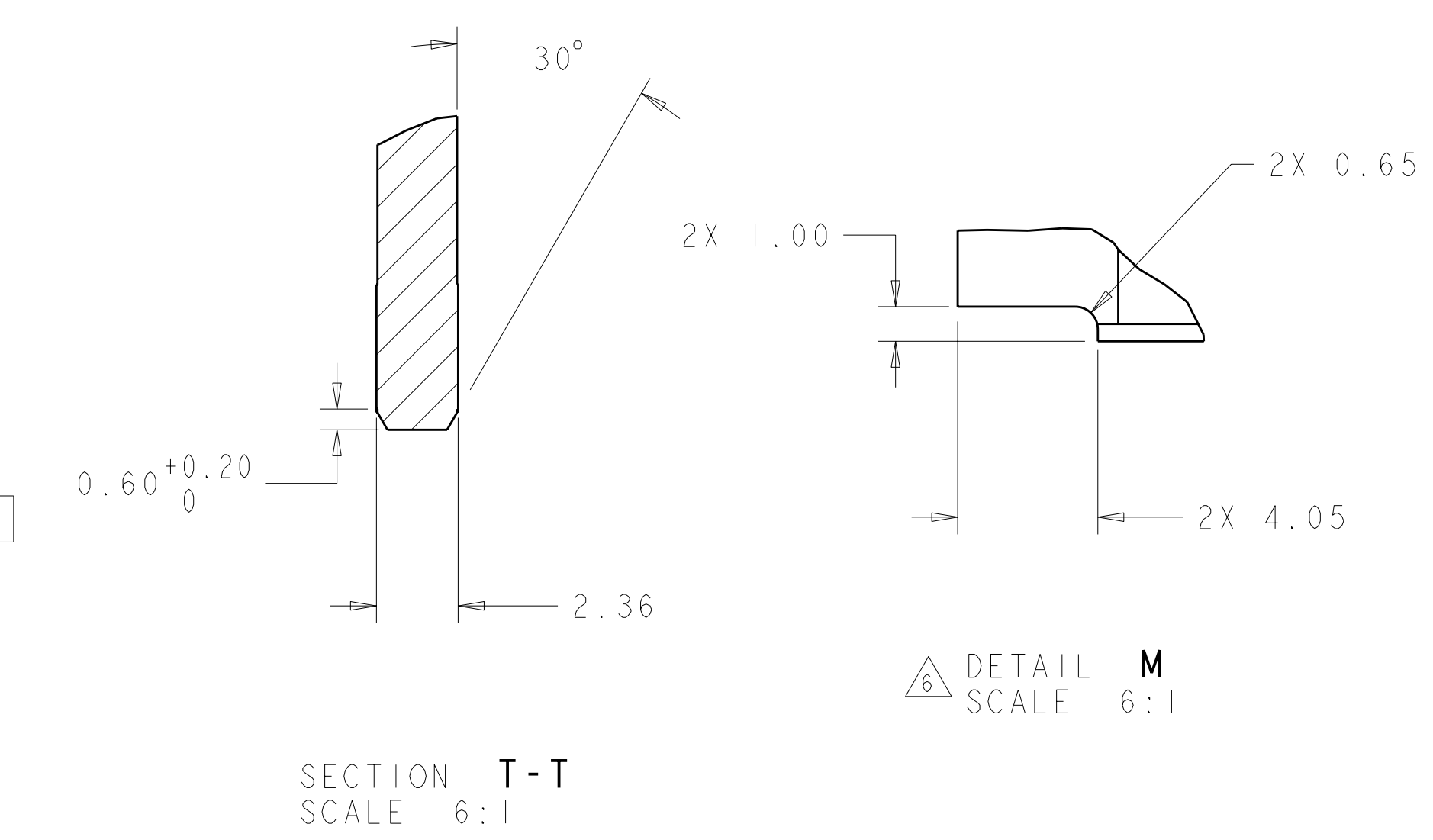
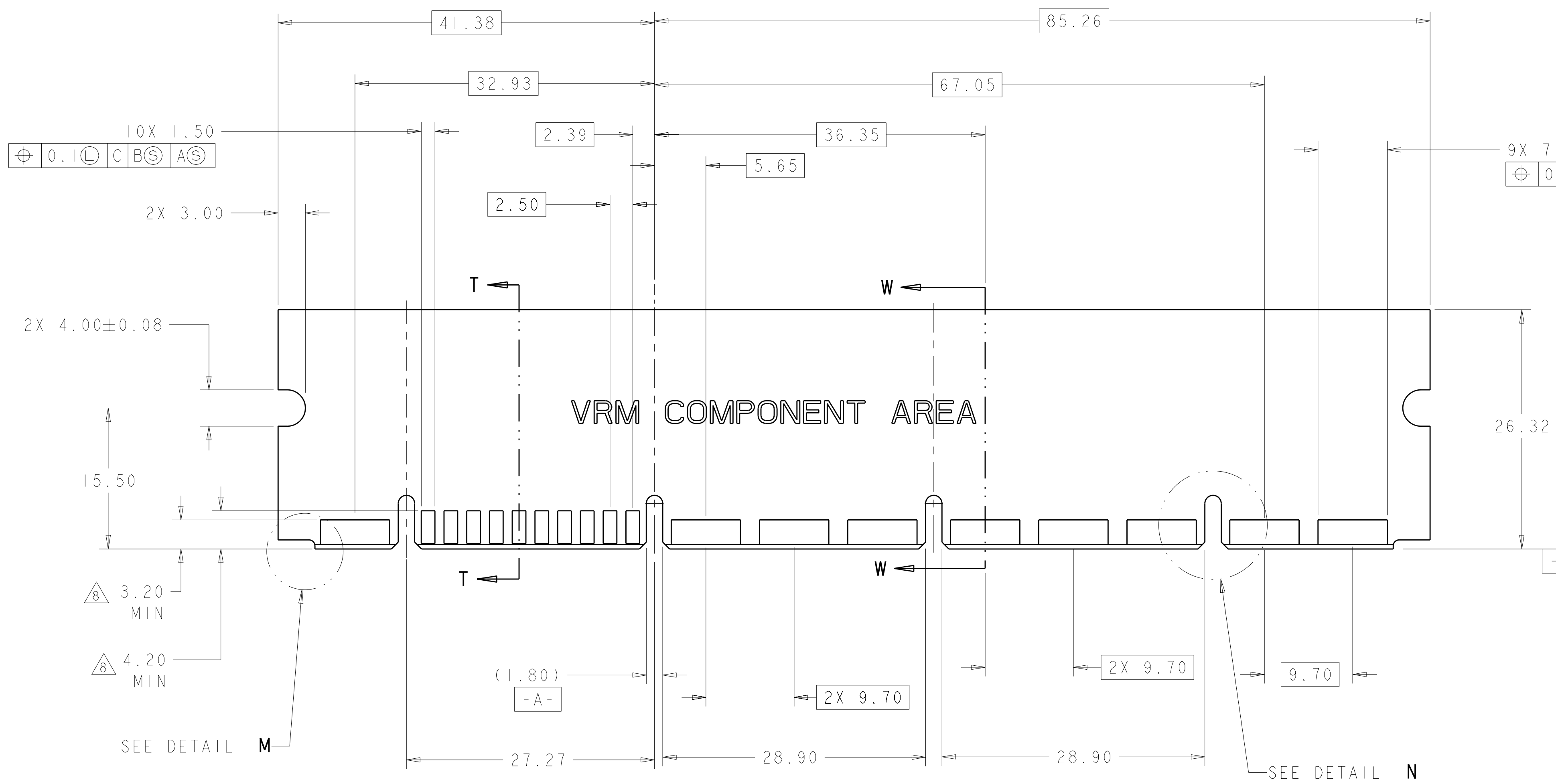
SECTION X-X
 ROTATED 90° CW



SECTION Y-Y
 ROTATED 90° CW

<small>THIS DRAWING IS UNPUBLISHED. RELEASED FOR PUBLICATION BY TYCO ELECTRONICS CORPORATION. ALL RIGHTS RESERVED.</small>		DWN: C. ROHLER 19JAN2009 CHK: P. DAMATO 19JAN2009 APPD: M. PERCHERKE 19JAN2009	Tyco Electronics Harrisburg, PA 17105-3608
DIMENSIONS: mm 	TOLERANCES UNLESS OTHERWISE SPECIFIED: 9 PLC ±.5 1 PLC ±.5 2 PLC ±.25 3 PLC ±.5 4 PLC ±.5 ANGLES ±.5 FINISH	NAME: MC-P9S10 MINI CROWNEDGE SOCKET CONNECTOR, COMPLIANT TAIL PRODUCT SPEC: APPLICATION SPEC: WEIGHT: CUSTOMER DRAWING	SIZE: A CAGE CODE: 100779 DRAWING NO: C=1766443 SCALE: 3:1 SHEET: 2 OF 4 REV: E

LOC	DIST	REV	DATE	BY	APPD
-	-	1	-	-	-
DESCRIPTION			DATE	DWN	APPD
SEE SHEET 1			-	-	-

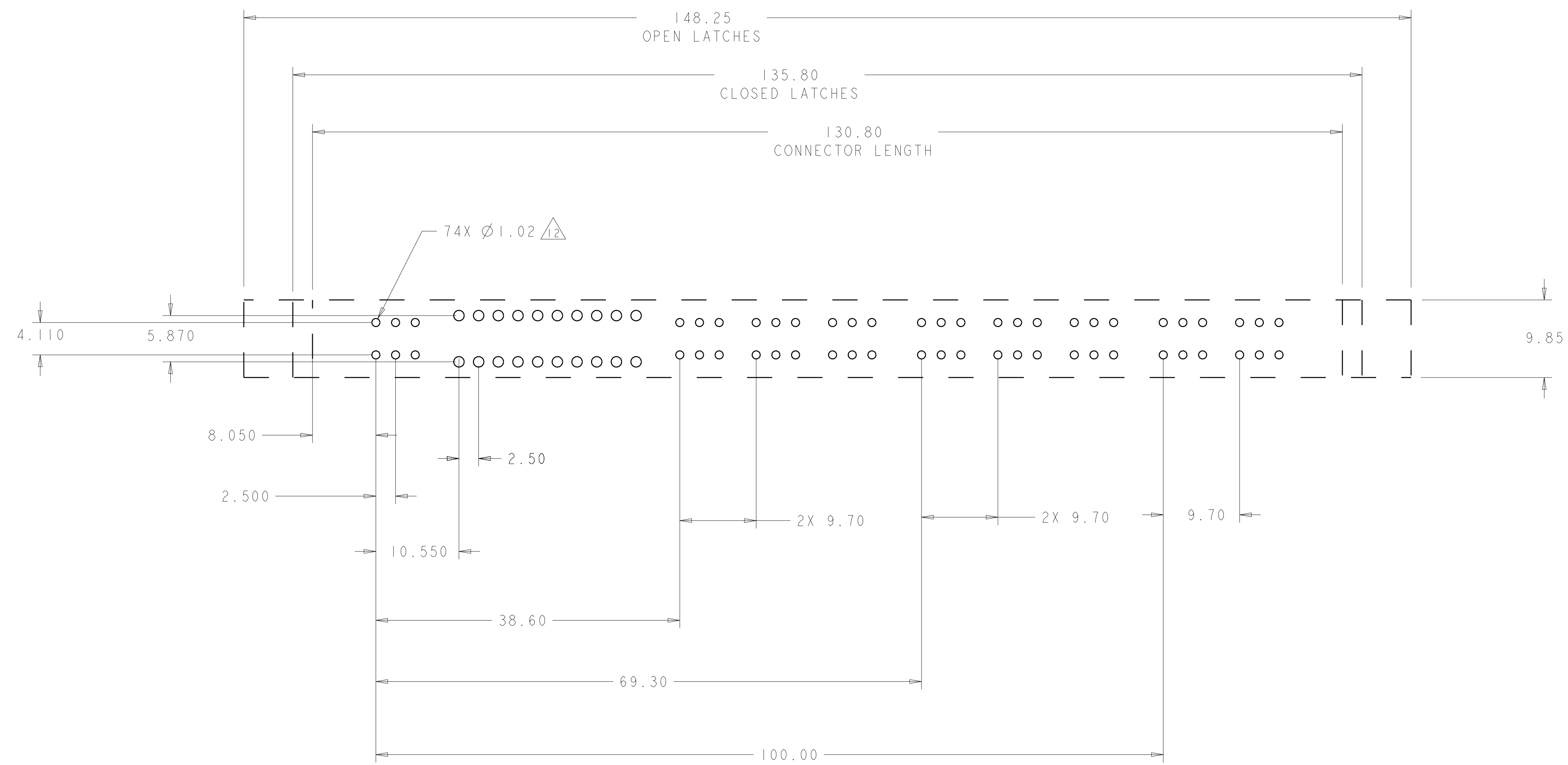


RECOMMENDED MATING BOARD

RECOMMENDED PCB KEEP OUT AREA

DIMENSIONS: mm 		TOLERANCES UNLESS OTHERWISE SPECIFIED: 9 PLC ±.5 1 PLC ±.5 2 PLC ±.25 3 PLC ±.5 4 PLC ±.5 ANGLES ±.5 FINISH -		DWN C. ROHLER 19JAN2009 CHK P. DAMATO 19JAN2009 APVD M. PERCHERKE 19JAN2009		Tyco Electronics Harrisburg, PA 17105-3608	
MATERIAL -		FINISH -		PRODUCT SPEC - APPLICATION SPEC - WEIGHT -		NAME MC-P9S10 MINI CROWNEDGE SOCKET CONNECTOR, COMPLIANT TAIL SIZE CAGE CODE DRAWING NO. A1100779C=1766443 RESTRICTED TO -	
CUSTOMER DRAWING				SCALE 3:1		SHEET 3 OF 4 REV E	

LOC		DIST		REVISIONS			
NO.	DATE	BY	CHK	DESCRIPTION	DATE	DWN	APVD
-	-	-	-	SEE SHEET 1	-	-	-



RECOMMENDED PCB LAYOUT

<small>THIS DRAWING IS UNPUBLISHED. RELEASED FOR PUBLICATION BY TYCO ELECTRONICS CORPORATION. IT IS SUBJECT TO CHANGE WITHOUT NOTICE AND WITHOUT OBLIGATION. SHOULD BE CONTACTED FOR THE LATEST REVISION.</small>		DWN C. ROHLER 19JAN2009 CHK P. DAMATO 19JAN2009 APVD M. PERCHERKE 19JAN2009	Tyco Electronics Harrisburg, PA 17105-3608
DIMENSIONS: mm 	TOLERANCES UNLESS OTHERWISE SPECIFIED: 0 PLC ±.5 1 PLC ±.5 2 PLC ±.25 3 PLC ±.5 4 PLC ±.5 ANGLES ±.5 FINISH -	NAME MC-P9S10 MINI CROWNEDGE SOCKET CONNECTOR, COMPLIANT TAIL PRODUCT SPEC - APPLICATION SPEC - WEIGHT - CUSTOMER DRAWING	SIZE A100779C-1766443 SCALE 3:1 SHEET 4 OF 4 REV E