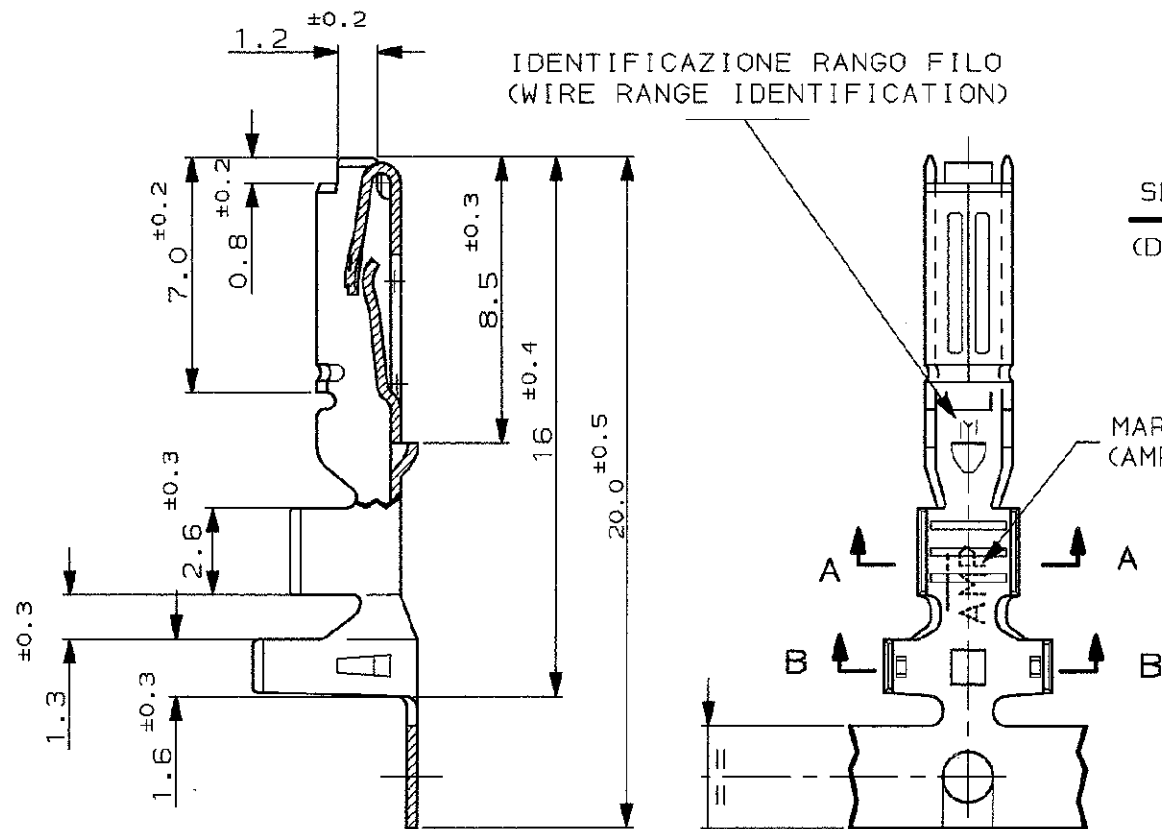


SCALA NON IMPEGNATIVA  
(DO NOT SCALE)  
DIMENSIONI IN mm  
(DIMENSIONS IN mm)

**METRIC**

PROIEZIONE EUROPEA  
(EUROPEAN PROJECTION)

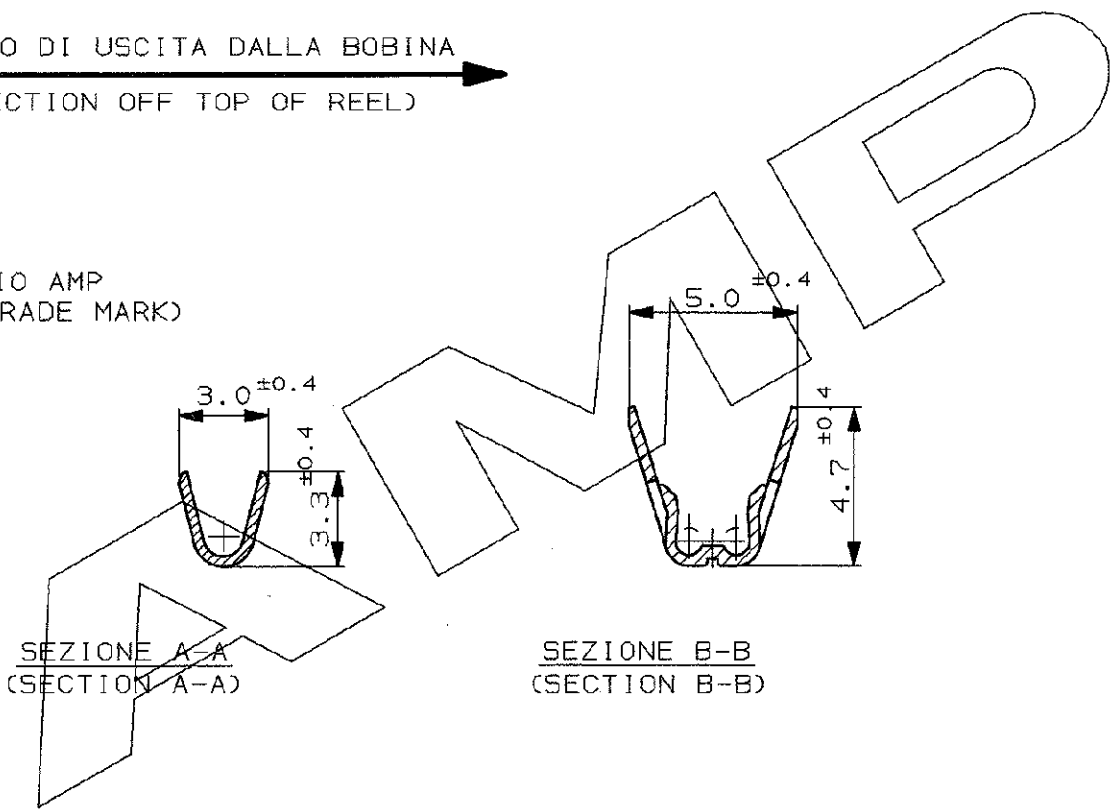


SENSO DI USCITA DALLA BOBINA  
(DIRECTION OFF TOP OF REEL) →

MARCHIO AMP  
(AMP TRADE MARK)

SEZIONE A-A  
(SECTION A-A)

SEZIONE B-B  
(SECTION B-B)



NOTE (NOTES):

1) STATO DI FORNITURA: AVVOLTI SU BOBINA  
CON PASSO TRA TERMINALI DI 11.9±0.2  
(ITEM IS SUPPLIED REELED ON CARTON REEL  
WITH STRIP PITCH=11.9±0.2mm)

|  |                         |                         |
|--|-------------------------|-------------------------|
| PRE-STAGNATO<br>(PRE TIN)              | OTTONE<br>(BRASS)       | 282375-1                |
| FINITURA / COLORE<br>(FINISH / COLOUR) | MATERIALE<br>(MATERIAL) | NUMERO<br>(PART NUMBER) |

CUSTOMER DWG. FOR REFERENCE ONLY      DISEGNO PER CLIENTE SOLO PER RIFERIMENTO

|  |  |                         |               |
|--|--|-------------------------|---------------|
| THIS DRAWING IS UNPUBLISHED  |  | RELEASE FOR PUBLICATION | 19            |
| © COPYRIGHT 19 BY AMP INCORPORATED, HARRISBURG, PA. ALL INTERNATIONAL RIGHT RESERVED. AMP PRODUCTS MAY BE COVERED BY U.S. AND FOREIGN PATENT AND/OR PATENT PENDING |  |                         |               |
| TOLLERANZE, SE NON DIVERSAMENTE SPECIFICATO<br>(TOLERANCES, UNLESS OTHERWISE SPECIFIED)  | DIAM. ISOLANTE (INS. DIA. RANGE)                                   | RANGO FILO (WIRE RANGE) | SCALA (SCALE) |
| ± 0.3  | 1.8-2.6 mm   | 0.75-1.5mm <sup>2</sup> | 5:1           |
| ANGOLI (ANGLES)  | AMP AMP ITALIA S.p.A.<br>Corso F.lli Cervi, 15<br>COLLENO (TORINO) |                         |               |
| DIS. R. MARTINI (DR.) 3 JUN 93   | DESCRIZIONE (DESCRIPTION) .070 SERIES MULTILOCK RECEPTACLE CONTACT |                         |               |

|      |                               |           |              |             |
|------|-------------------------------|-----------|--------------|-------------|
| REV. | REVISIONI (REVISION RECORD)   | DIS. (DR) | E.C.N.       | DATA (DATE) |
| A1   | REVISED FOR ET00-0402-97 M.A. | R.M.      |              | 15-10 '97   |
| A    | IN PRODUCTION                 | R.M.      | ET00-0084-93 |             |
| 0    | FIRST ISSUE                   | R.M.      |              |             |

|      |      |                 |      |                |
|------|------|-----------------|------|----------------|
| LOC. | SIZE | NUMERO (DWG NO) | REV. | FOGLIO (SHEET) |
| I    | A3   | C-282375        | A1   | 1 DI 1 (OF)    |

DISTRIBUZIONE (PRINT DIST.)