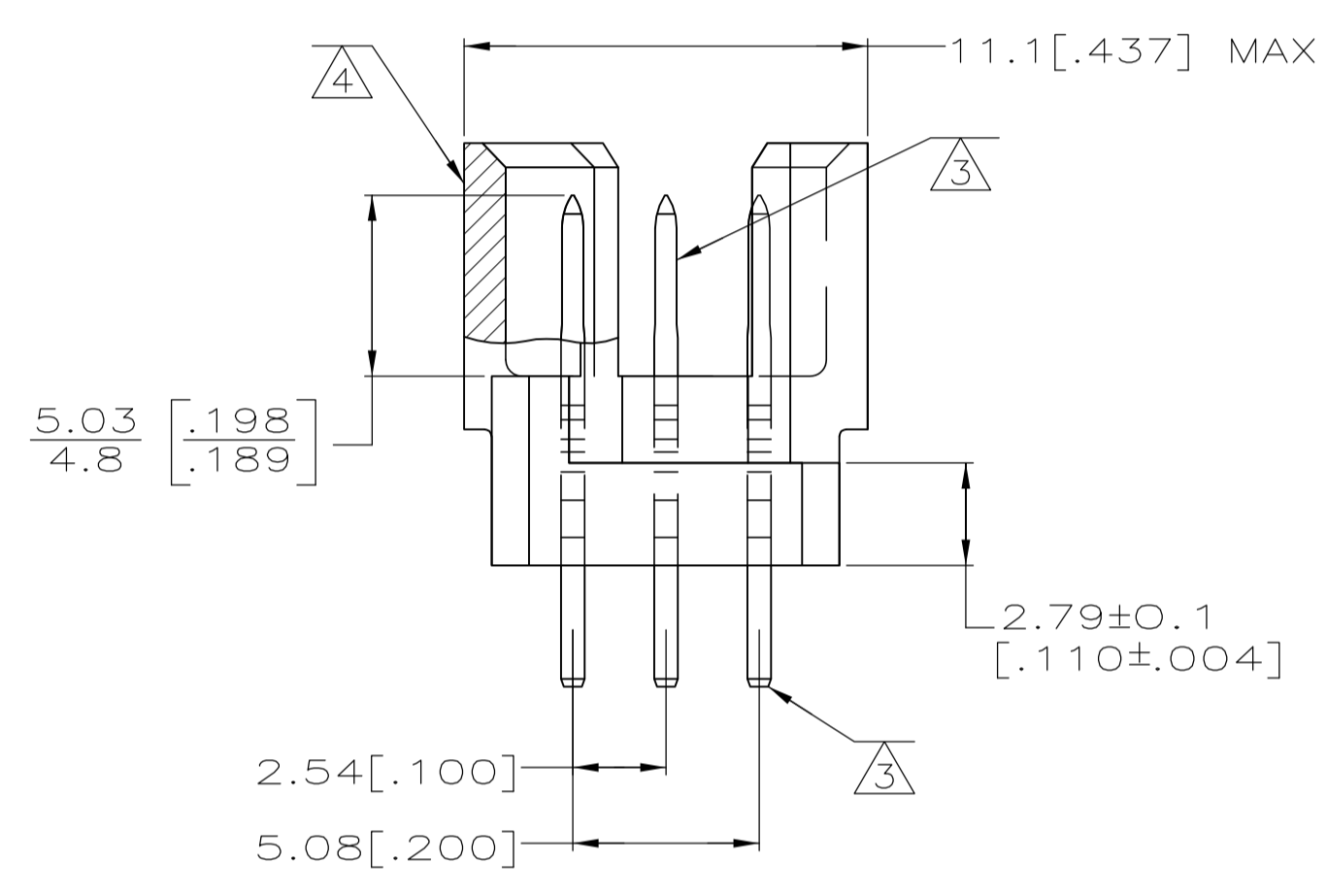


- 1 HOUSING MATERIAL: GLASS-FILLED POLYMER.
- 2 POST MATERIAL: COPPER ALLOY.
- 3 POST FINISH: DIN 41612 CLASS 2 IN CONTACT AREA. TIN PLATE ON POSTS.
- 4 MARKING ON THIS SIDE.
- 5 RECOMMENDED HOLE SIZE FOR MANUAL APPLICATION OF CONNECTOR ONTO PC BOARD.
- 6 PART NUMBER, DATE CODE MARKED THIS APPROXIMATE AREA.



1-32	X	X	X	96	5650908-5
POSITIONS LOADED	C	B	A	NO. OF LOADED POSITION	ASSY PART NUMBER
	ROWS LOADED				

THIS DRAWING IS A CONTROLLED DOCUMENT.		DIN J. POLIGNONE DSMAYOS		APVD A. SHARPE DSMAYOS		NAME		TE Connectivity	
DIMENSIONS: mm [INCHES]		TOLERANCES UNLESS OTHERWISE SPECIFIED:		PRODUCT SPEC		APPLICATION SPEC		ASSEMBLY, PIN, EUROCARD, TYPE R, 96 POSITION, 3.30[.130] SOLDER POST	
0 PLC ± - 1 PLC ± - 2 PLC ± 0.15[.005] 3 PLC ± - 4 PLC ± - ANGLES ± -		Ø2.79±0.1 [.110±.004] ±0.15[.006] (M) 2 PLC		SIZE		CAGE CODE		DRAWING NO	
MATERIAL		FINISH		WEIGHT		A1		SCALE 5:1 SHEET 1 OF 1 REV P	
CUSTOMER DRAWING									