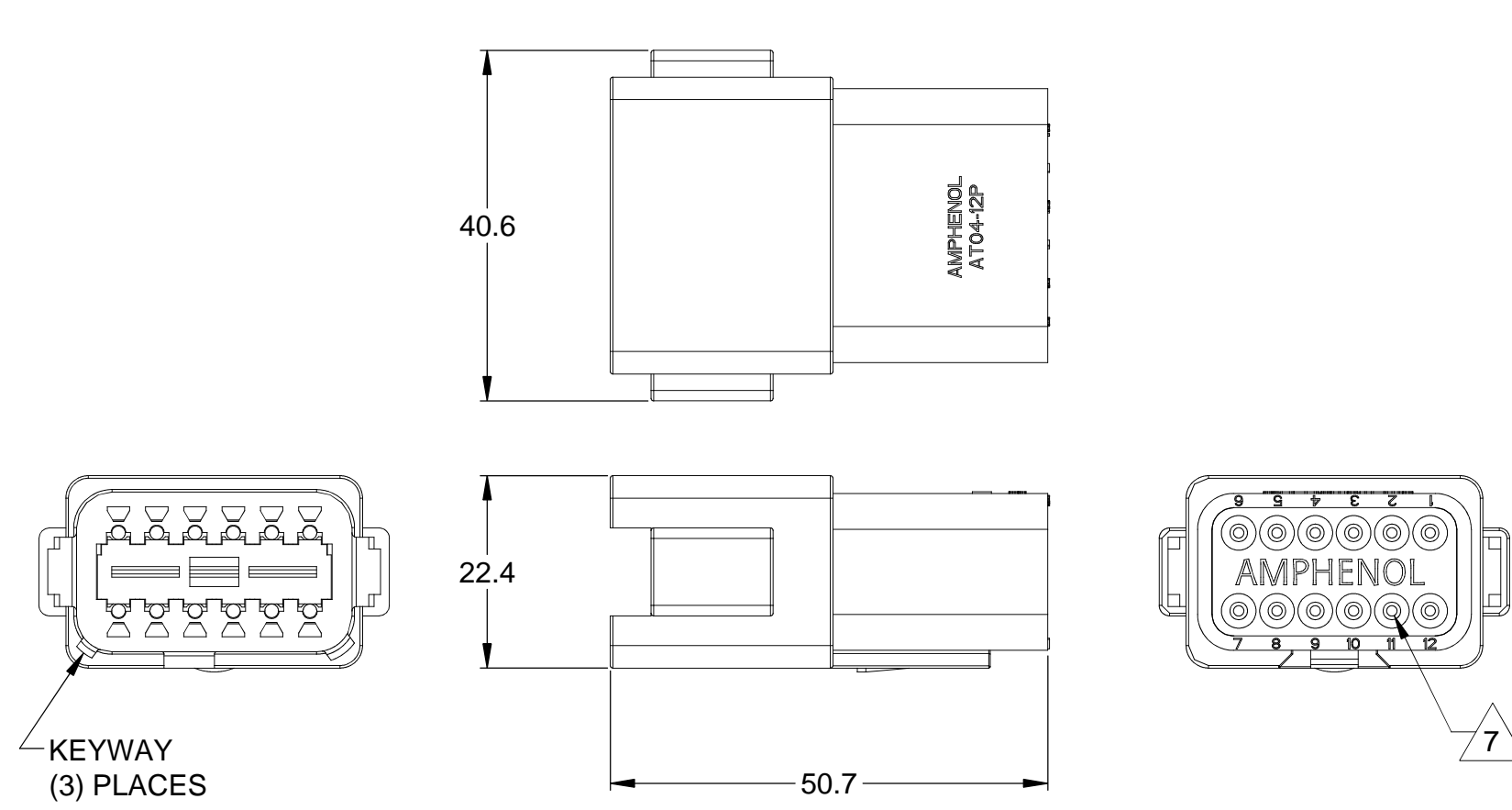
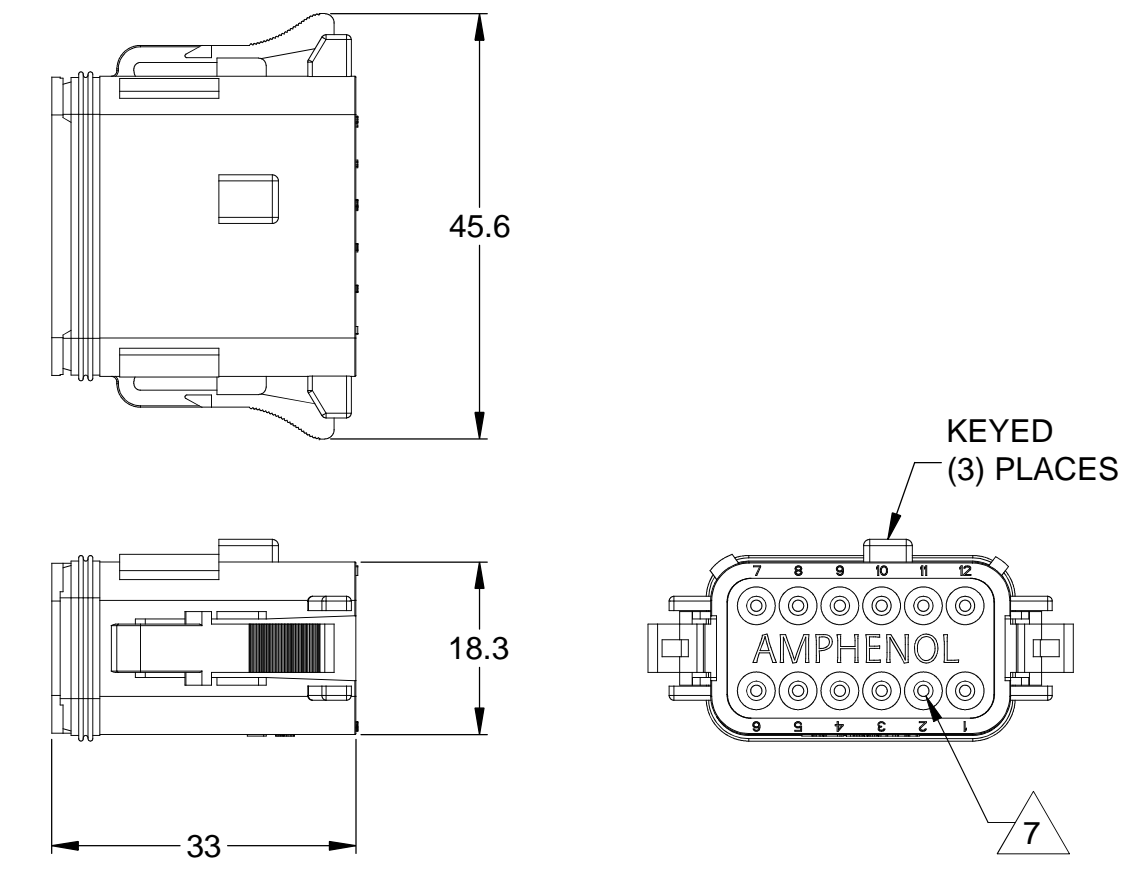


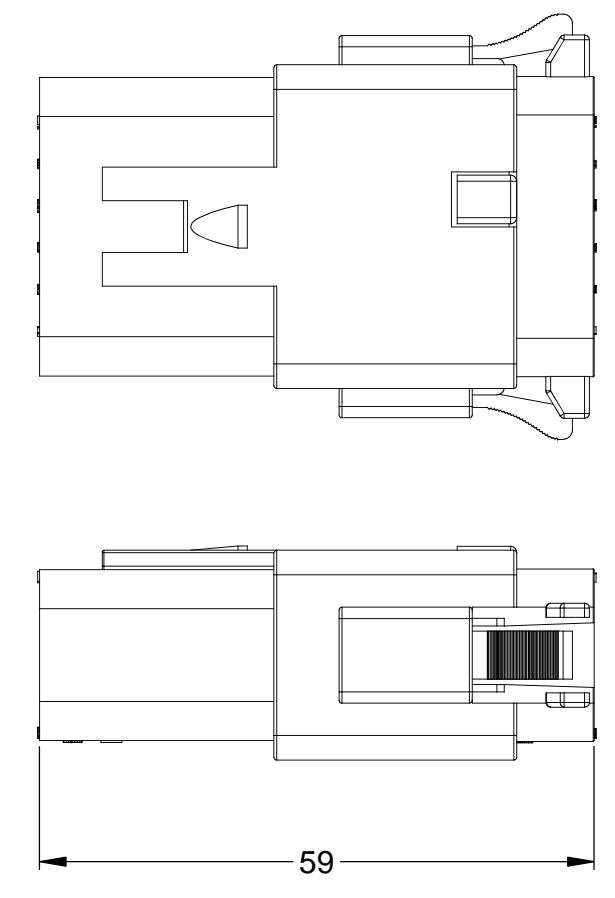
REVISIONS					
REV	ECO	DESCRIPTION	DATE	BY	APPR
A	-	RELEASE	30SEP13	DRP	-



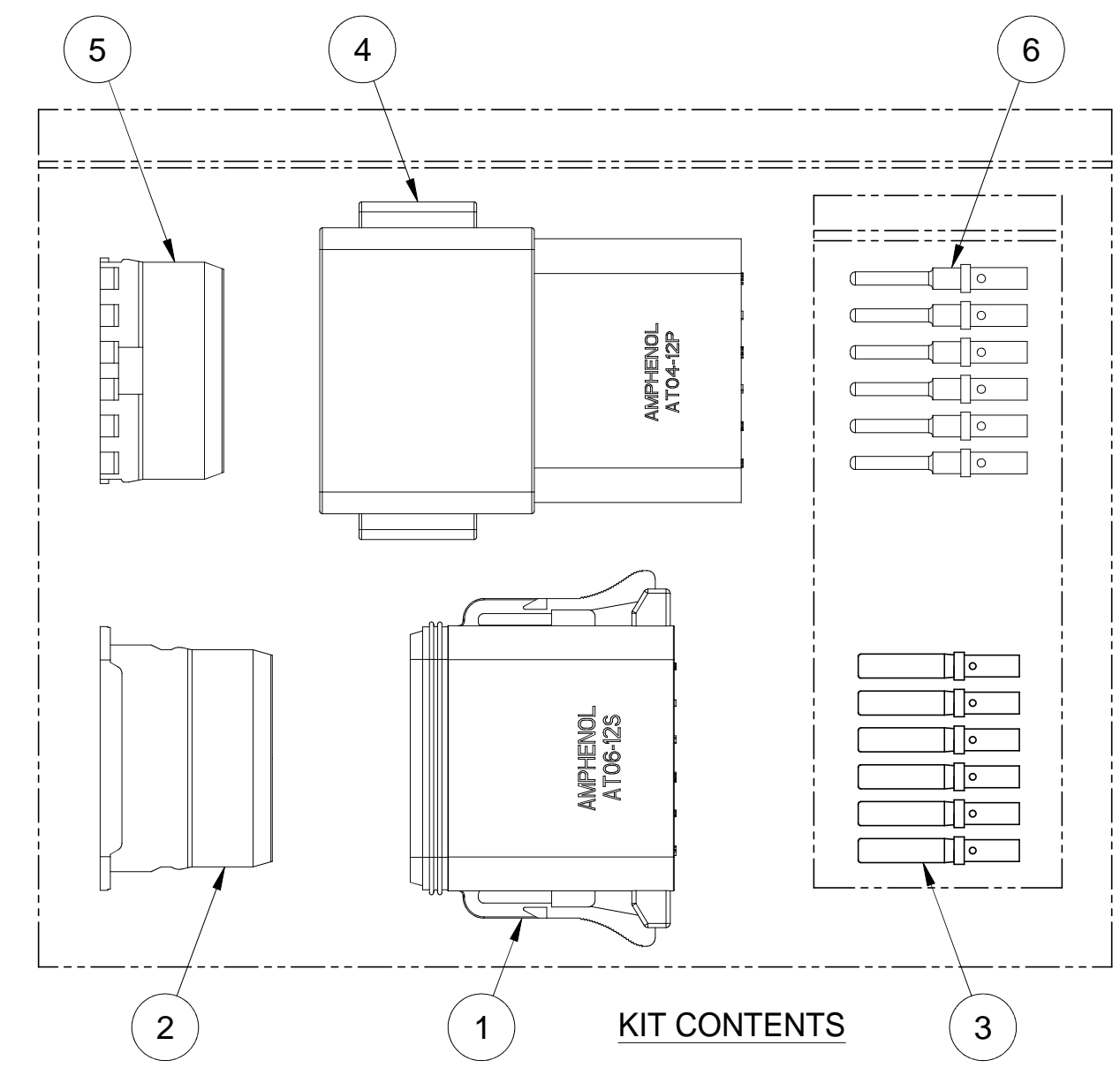
REFERENCE DIMENSIONS - ASSEMBLED RECEPTACLE



REFERENCE DIMENSIONS - ASSEMBLED PLUG



ASSEMBLED PLUG AND RECEPTACLE



KIT CONTENTS

NOTES: UNLESS OTHERWISE SPECIFIED

- 1. MATERIAL:
 - HOUSING: THERMOPLASTIC; COLOR: GREY
 - WEDGELOCK: THERMOPLASTIC; COLOR: GREEN
 - SEALS: SILICONE RUBBER
 - CONTACTS: COPPER ALLOY; NICKEL PLATED
- 2. SPECIFICATIONS:
 - 2.1 CURRENT RATING: 13 AMPS
 - 2.2 OPERATING TEMPERATURE: -55°C TO +125°C
 - 2.3 DIELECTRIC WITHSTANDING VOLTAGE: LESS THAN 2 MILLIAMPS CURRENT LEAKAGE @ 1500 VOLTS AC.
 - 2.4 INSULATION RESISTANCE: 1000 MEGOHMS MIN @ 25°C.
 - 2.5 CONTACT MILLIVOLT DROP: 60 MILLIVOLT DROP @ 13 AMP TEST CURRENT.
 - 2.6 MOISTURE RESISTANCE: IP67 (MATED CONDITION)
 - 2.7 CONNECTOR MATING CYCLE DURABILITY: 100 CYCLES
- 3. AVAILABLE HAND CRIMPER: CA-5D12
- 4. ALL COMPONENTS ARE RoHS COMPLIANT.
- 5. ALL DIMENSIONS ARE FOR REFERENCE USE ONLY.

6 WIRE RANGE OF CONTACTS INCLUDED IN KIT: 16 - 20 AWG

7 CONTACT SIZE AND REAR SEAL WIRE RANGE:

CONTACT SIZE	MIN. INSUL. O.D.	MAX. INSUL. O.D.	TYPICAL WIRE RANGE
16	2.24 mm (.088 in)	3.68 mm (.145 in)	14 - 20 AWG

6	12	AT60-202-16141	CONTACT, PIN, SOLID, SIZE 16, 16-20 AWG	6
	1	AW12P	P-WEDGELOCK, 12 POSITION, AT SERIES	5
	1	AT04-12PA	RECEPTACLE, 12 PIN, AT SERIES	4
6	12	AT62-201-16141	CONTACT, SOCKET, SOLID, SIZE 16, 16 - 20 AWG	3
	1	AW12S	S-WEDGELOCK, 12 POSITION, AT SERIES	2
	1	AT06-12SA	PLUG, 12 SOCKET, AT SERIES	1
	QUANTITY	PART NUMBER	DESCRIPTION	ITEM

MATERIALS LIST

UNLESS OTHERWISE SPECIFIED
 1) All dimensions are in metric(mm).
 2) Tolerances are as follows:
 1 PL DEC ±0.30 | Fractions ±1/64
 2 PL DEC ±0.15 | Angles ±1°
 3 PL DEC ±0.08
 3) Note reference =

SIGNATURES	DATE
D.PARKS	30SEP13

CHECKED: _____
 ENGINEER: _____
 APPROVAL: _____
 CUSTOMER: _____

MATERIAL SPECIFICATIONS: _____
 PROCESS SPECIFICATIONS: _____
 NEXT ASSY: _____

Amphenol
 Sine Systems - www.amphenol-sine.com
 44724 Morley Drive
 Clinton Township, MI 48036

KIT, AT SERIES, 12 POS. PLUG, RECEPTACLE, CONTACTS, AND WEDGELOCKS

SCALE: NONE
 DWG NO: AT12PS-CKIT
 REVISION: A
 SHEET 1 OF 1

TITLE: KIT, AT SERIES, 12 POS. PLUG, RECEPTACLE, CONTACTS & WEDGELOCKS
 DWG NO: AT12PS-CKIT
 REV: A
 SH: 1
 OF: 1