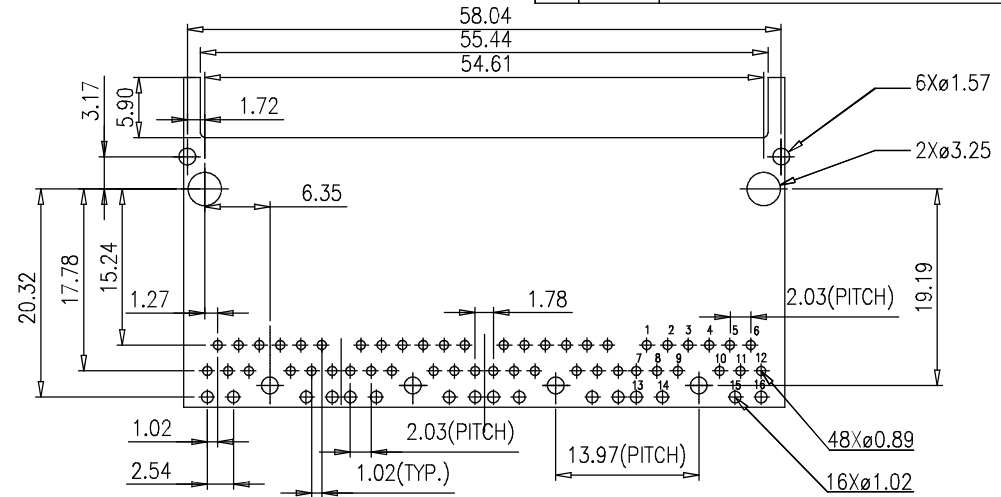
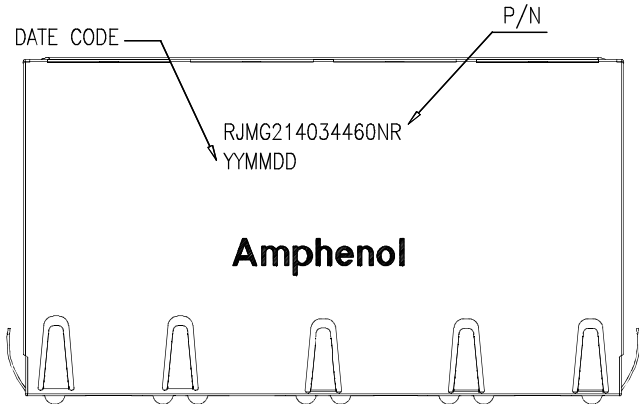


This document is the property of Amphenol Corporation and is delivered on the express condition that it is not to be disclosed, reproduced or used, in whole or in part, for manufacture or sale by anyone other than Amphenol Corporation without its prior consent, and that no right is granted to disclose or to use any information in this document.

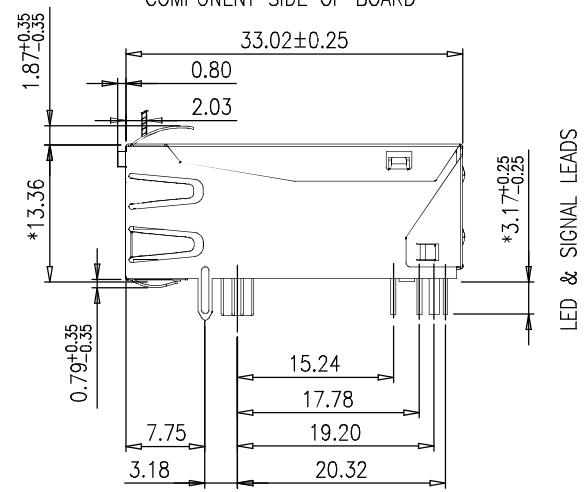
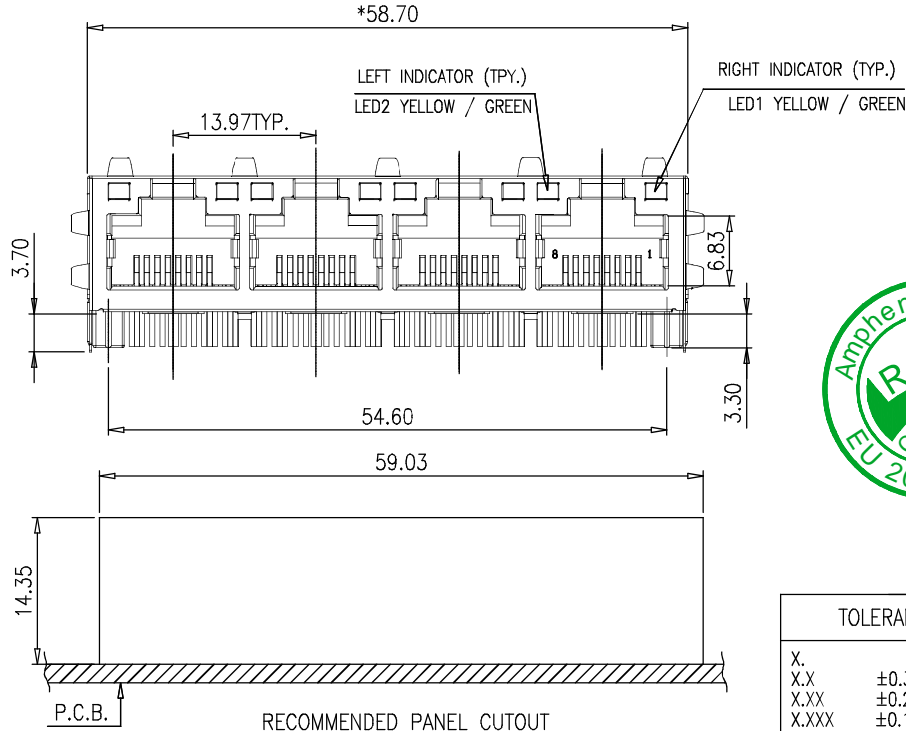
The marking on this product doesn't contain environmental hazardous materials per Material Specification SS-00259 for Sony GP compliant or per directive 2011/65/EU for RoHS compliant.

CUSTOMER DRAWING

REVISIONS				
SYM	ECN No.	DESCRIPTION	DATE	APPROVED
A		PROPOSAL DRAWING, NOT RELEASED	Jun.17.10	Jason Zhan
B	ECN-12-001	CHANGE TO NEW TEMPLATE, CORRECT THE NOTES OF QTY IN PAGE 3	3/27/2012	Roger Tsai
C	ECN-12-003	CORRECT THE OPERATING TEMPERATURE IN PAGE 3	4/11/2012	Roger Tsai
D	ECN-12-004	CHANGE THE SCHEMATIC TO IMPROVE THE PERFORMANCE	4/20/2012	Roger Tsai
EX1		ADD THE LENGTH 33.02	8/14/2012	Roger Tsai
EX2		ADD PCB EDGE SIZE	04/01/2013	Roger Tsai



RECOMMENDED P.C.B LAYOUT (GENERAL TOLERANCE: ±0.05)
COMPONENT SIDE OF BOARD



TOLERANCE	APPROVALS	DATE	TITLE		Amphenol®	
X. ±0.35	DRAWN Devin Yen	04/01/2013	RJ45 1X4 1G TYPE WITH FILTER & LED OPTION		Amphenol Corporation Amphenol Taiwan Corporation	
X.X ±0.25						
X.XX ±0.15	CHECKED Vivian Wen	04/01/2013			PART No.	RJMG214034460NR
ANGULAR ±1°	APPROVED Roger Tsai	04/01/2013	UNIT	mm	SIZE	A3
UNLESS OTHERWISE SPECIFIED	DWG TYPE CUST DWG	PROJECT CODE GT264	SCALE	NA	SHEET	1 OF 4
					DWG No.	RJMG214034460NR
					REV	EX2

This document is the property of Amphenol Corporation and is delivered on the express condition that it is not to be disclosed, reproduced or used, in whole or in part, for manufacture or sale by anyone other than Amphenol Corporation without its prior consent, and that no right is granted to disclose or to use any information in this document.

The marking on this product doesn't contain environmental hazardous materials per Material Specification SS-00259 for Sony GP compliant or per directive 2011/65/EU for RoHS compliant.

CUSTOMER DRAWING

REVISIONS				
SYM	ECN No.	DESCRIPTION	DATE	APPROVED
A		PROPOSAL DRAWING, NOT RELEASED	Jun.17.10	Jason Zhan
B	ECN-12-001	CHANGE TO NEW TEMPLATE, CORRECT THE NOTES OF QTY IN PAGE 3	3/27/2012	Roger Tsai
C	ECN-12-003	CORRECT THE OPERATING TEMPERATURE IN PAGE 3	4/11/2012	Roger Tsai
D	ECN-12-004	CHANGE THE SCHEMATIC TO IMPROVE THE PERFORMANCE	4/20/2012	Roger Tsai
EX1		ADD THE LENGTH 33.02	8/14/2012	Roger Tsai
EX2		ADD PCB EDGE SIZE	04/01/2013	Roger Tsai

ELECTRICAL SPECIFICATION(@25° C)

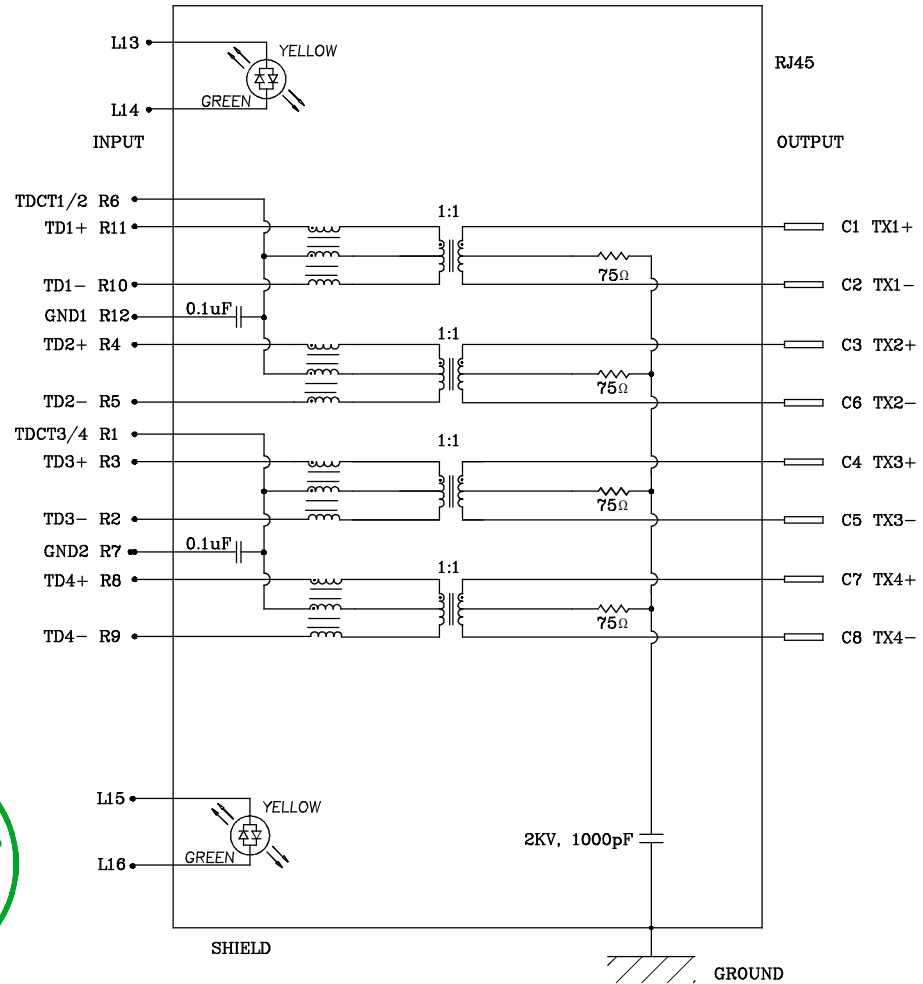
LED PERFORMANCE

PARAMETER	SINGLE COLOUR		BICOLOUR				UNITS
	GREEN	YELLOW	GREEN	YELLOW	GREEN	ORANGE	
FORWARD CURRENT IF MAX	30	30	30		30		mA
REVERSE CURRENT IR MAX	10	10	10		10		µA
REVERSE VOLTAGE VR MAX	-5	-5	-5		-5		V
T OPERATURE	-40~+85	-40~+85	-40~+85		-40~+85		°C
T SOLDERING	260+/-5	260+/-5	260+/-5		260+/-5		°C
POWER DISS. Pd	1/16	100	1/16		100		mW
INTENSITY Iv	45 Min	15 Min	20 Min	30 Min	20 Min	30 Min	MCD (@IF=20mA)
PEAK WAVELENGTH	565	585	565	585	565	605	nM
FORWARD VOLTAGE TYP	2.5	2.1	2.2	2.1	2.2	2.0	V (@IF=20mA)
FORWARD VOLTAGE MAX	2.9	2.6	2.6	2.6	2.6	2.6	V (@IF=20mA)

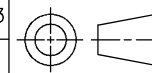
CONNECTOR PERFORMANCE

PARAMETER	LIMITS (MAX. OR MIN.)	FREQUENCY RANGE/ TEST CONDITIONS
INSERTION LOSS (RX/TX)	-0.8dB MAX.	0.1-100 MHz
	-1.2dB MAX.	100-125 MHz
RETURN LOSS (RX/TX)	-16dB MIN.	0.5-40 MHz
	-10+20 log(f/80MHz)dB MIN.	40-100 MHz
CM-CM REJECTION	-30dB MIN.	100 KHz-100 MHz
CM-DM REJECTION	-35dB MIN.	100 KHz-100 MHz
CROSSTALK ISOLATION (RX/TX)	-30+20 log(f/100MHz)dB MIN.	100 KHz-100 MHz
HIPOT (ISOLATION)	1.5kVrms MIN.	60S
OCL	350uH MIN.	100KHz 100mV 8mA
TURN RATIO	1:1±5%	

Signal Name	PCB Pin Number (PHY)
TDCT3/4 R1	1
TD3- R2	2
TD3+ R3	3
TD2+ R4	4
TD2- R5	5
TDCT1/2 R6	6
GND2 R7	7
TD4+ R8	8
TD4- R9	9
TD1- R10	10
TD1+ R11	11
GND1 R12	12



TOLERANCE	APPROVALS	DATE	TITLE		UNIT		SIZE	PART No.	
X. ±0.35	DRAWN Devin Yen	04/01/2013	RJ45 1X4 1G TYPE WITH FILTER & LED OPTION		mm	A3	RJM214034460NR		
X.X ±0.25									
X.XX ±0.15	CHECKED Vivian Wen	04/01/2013							
ANGULAR ±1°	APPROVED Roger Tsai	04/01/2013							
UNLESS OTHERWISE SPECIFIED	DWG TYPE CUST DWG	PROJECT CODE GT264			SCALE NA	SHEET 2 OF 4	DWG No. RJM214034460NR		REV EX2



This document is the property of Amphenol Corporation and is delivered on the express condition that it is not to be disclosed, reproduced or used, in whole or in part, for manufacture or sale by anyone other than Amphenol Corporation without its prior consent, and that no right is granted to disclose or to use any information in this document.

The marking on this product doesn't contain environmental hazardous materials per Material Specification SS-00259 for Sony GP compliant or per directive 2011/65/EU for RoHS compliant.

CUSTOMER DRAWING

REVISIONS				
SYM	ECN No.	DESCRIPTION	DATE	APPROVED
A		PROPOSAL DRAWING, NOT RELEASED	Jun.17.10	Jason Zhan
B	ECN-12-001	CHANGE TO NEW TEMPLATE, CORRECT THE NOTES OF QTY IN PAGE 3	3/27/2012	Roger Tsai
C	ECN-12-003	CORRECT THE OPERATING TEMPERATURE IN PAGE 3	4/11/2012	Roger Tsai
D	ECN-12-004	CHANGE THE SCHEMATIC TO IMPROVE THE PERFORMANCE	4/20/2012	Roger Tsai
EX1		ADD THE LENGTH 33.02	8/14/2012	Roger Tsai
EX2		ADD PCB EDGE SIZE	04/01/2013	Roger Tsai

MATERIALS:

INSULATOR: THERMOPLASTIC POLYESTER,
 COLOR: BLACK
 FLAMMABILITY RATING UL 94V-0

CONTACTS (RJ MAG): PHOSPHOR BRONZE
 PLATING: GOLD 30U" PLATING ON MATING SURFACES OR
 APPROVED EQUIVALENT GOLD FLASH OVER PdNi
 120 MICRONS PURE TIN ON TAILS.

SHIELD: STAINLESS STEEL T=0.2MM,
 GROUND PIN: PRE-SOLDERING

DIMENSIONS MARKED WITH "*" SHALL BE MEASURED.

MECHANICAL FEATURES:

SOLDERABILITY: MIL-STD-202, METHOD 208.

MATING/UNMATING FORCE:

RJ PORT MATING/UNMATING 2.1Kg MAX

MATING/UNMATING CYCLES: (DURABILITY) 2000

RETENTION FORCE FOR RJ PORT: 5Kg FOR 1 MINUTE

PACKAGING: 20PCS/PLASTIC TRAY, 10 TRAYS/CARTON
 MEET FCC PART 68.500 REQUIREMENTS.

OTHERS:

1. Operating Temperature : 0°C TO +70°C
2. Storage Temperature : -40°C TO +85°C
3. Wave soldering temperature : 260Deg.C 10sec.
4. JACK CAVITY CONFORMS TO FCC RULES AND REGULATIONS PART 68 , SUBPART F

RJMG-2140 - 3 4- 4 6- 0 N R

LED1 (RIGHT SIDE) SEE LED1 OPTIONS

- 0- No LED (Blocked Hole)
- 1- Green
- 2- Yellow
- 4- Bi-color Green/Yellow
- 6- Bi color Green/Orange

LED2 (LEFT SIDE) SEE LED1 OPTIONS

- 0- No LED (Blocked Hole)
- 1- Green
- 2- Yellow
- 4- Bi-color Green/Yellow
- 6- Bi color Green/Orange

R: RoHS Compliant;
 A electrical specifications

PLATING AND PACKAGE
 N: Gold 30u Inches, Copper
 Alloy Shield with Nickel 50u inches, Tray

TERMINATION OPTIONS
 1: 4 X 75 OHM RESISTORS,
 12 cores 1000 pf (2KV)



TOLERANCE	APPROVALS	DATE	TITLE		PART No.	
X. ±0.35	DRAWN Devin Yen	04/01/2013	RJ45 1X4 1G TYPE WITH FILTER & LED OPTION		Amphenol® Amphenol Corporation Amphenol Taiwan Corporation	
X.XX ±0.25	CHECKED Vivian Wen	04/01/2013				
X.XXX ±0.15	APPROVED Roger Tsai	04/01/2013				
ANGULAR ±1°	DWG TYPE CUST DWG	PROJECT CODE GT264		UNIT mm	SIZE A3	REV EX2
UNLESS OTHERWISE SPECIFIED				SCALE NA	SHEET 3 OF 4	DWG No. RJMG214034460NR

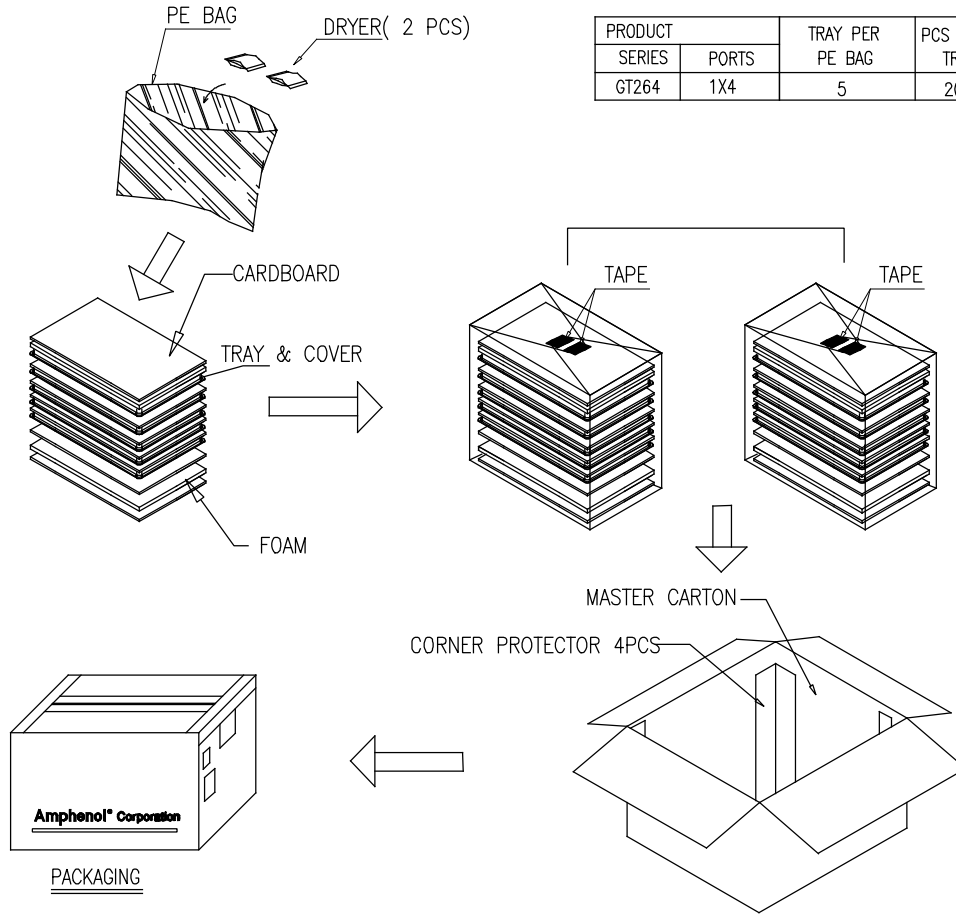
This document is the property of Amphenol Corporation and is delivered on the express condition that is not to be disclosed, reproduced or used, in whole or in part, for manufacture or sale by anyone other than Amphenol Corporation without its prior consent, and that no right is granted to disclose or to use any information in this document.

The marking on this product doesn't contain environmental hazardous materials per Material Specification SS-00259 For Sony GP compliant or per directive 2011/65/EU for RoHS compliant.

CUSTOMER DRAWING

REVISIONS				
SYM	ECN No.	DESCRIPTION	DATE	APPROVED
A		PROPOSAL DRAWING, NOT RELEASED	Jun.17.10	Jason Zhan
B	ECN-12-001	CHANGE TO NEW TEMPLATE, CORRECT THE NOTES OF QTY IN PAGE 3	3/27/2012	Roger Tsai
C	ECN-12-003	CORRECT THE OPERATING TEMPERATURE IN PAGE 3	4/11/2012	Roger Tsai
D	ECN-12-004	CHANGE THE SCHEMATIC TO IMPROVE THE PERFORMANCE	4/20/2012	Roger Tsai
EX1		ADD THE LENGTH 33.02	8/14/2012	Roger Tsai
EX2		ADD PCB EDGE SIZE	04/01/2013	Roger Tsai

PRODUCT		TRAY PER	PCS PER	PCS PER	PCS PER
SERIES	PORTS	PE BAG	TRAY	PE BAG	MASTER CARTON
GT264	1X4	5	20	100	200



NOTES:
 OUTER BOX(MASTER CARTON):
 A+B, 5LAYERS, K=K, 6.0±0.5MM THICKNESS.
 BREAK STRENGTH (P): 9kgf/cm² MINIMUM PER CNS(CD-1).
 INSPECTION LEVEL PER ML-STD-105D.

MATERIAL	QTY(PCS)	DESCRIPTION
TRAY	10	-
COVER	10	-
PE BAG	2	1PCS PER INNER BOX
DRYER	4	2PCS PER INNER BOX
OUTER BOX	1	560X360X188 MM
FOAM	4	2 PCS PER INNER BOX
CARDBOARD	12~16	6~8 PCS PER INNER BOX
CORNER PROTECTOR	4	4 PCS IN OUTER BOX

* The Cardboard QTY depend on the packing status(loose or tight).



TOLERANCE	APPROVALS	DATE
X. ±0.35	DRAWN Devin Yen	04/01/2013
X.X ±0.25		
X.XX ±0.25	CHECKED Vivian Wen	04/01/2013
X.XXX ±0.15		
ANGULAR ±1°	APPROVED Roger Tsai	04/01/2013
UNLESS OTHERWISE SPECIFIED	DWG TYPE CUST DWG	PROJECT CODE GT264

RJ45 1X4 1G TYPE WITH FILTER & LED OPTION				UNIT	mm	SIZE	A3	Amphenol® Amphenol Corporation Amphenol Taiwan Corporation
				SCALE	NA	SHEET	4 OF 4	
				PART No.		RJMGT214034460NR		
				DWG No.		RJMGT214034460NR		
				REV		EX2		