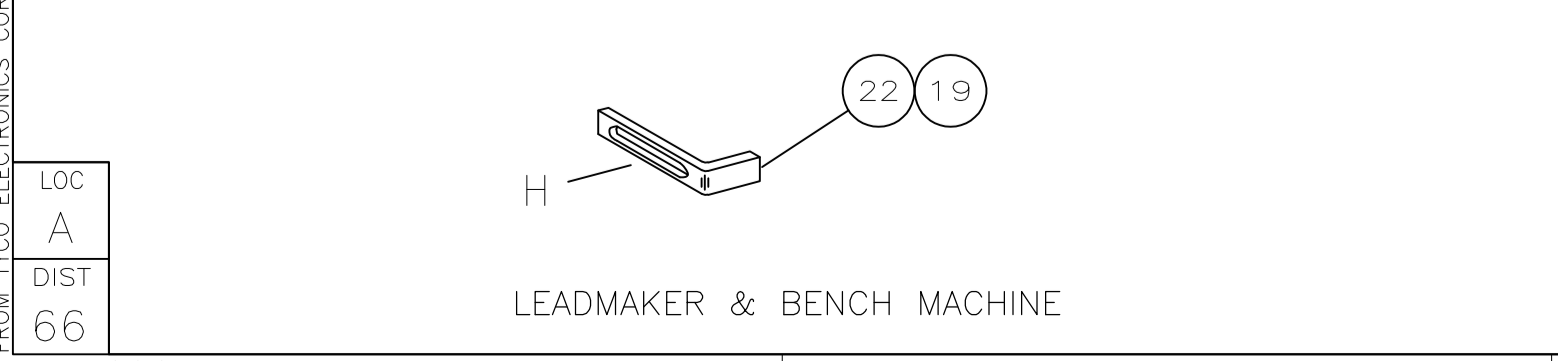
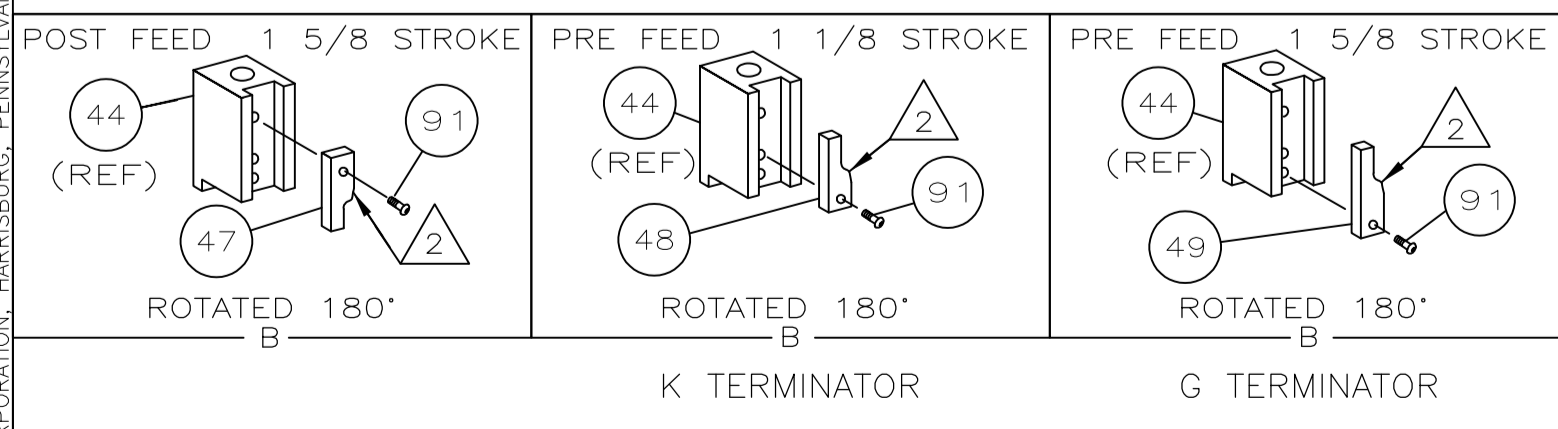
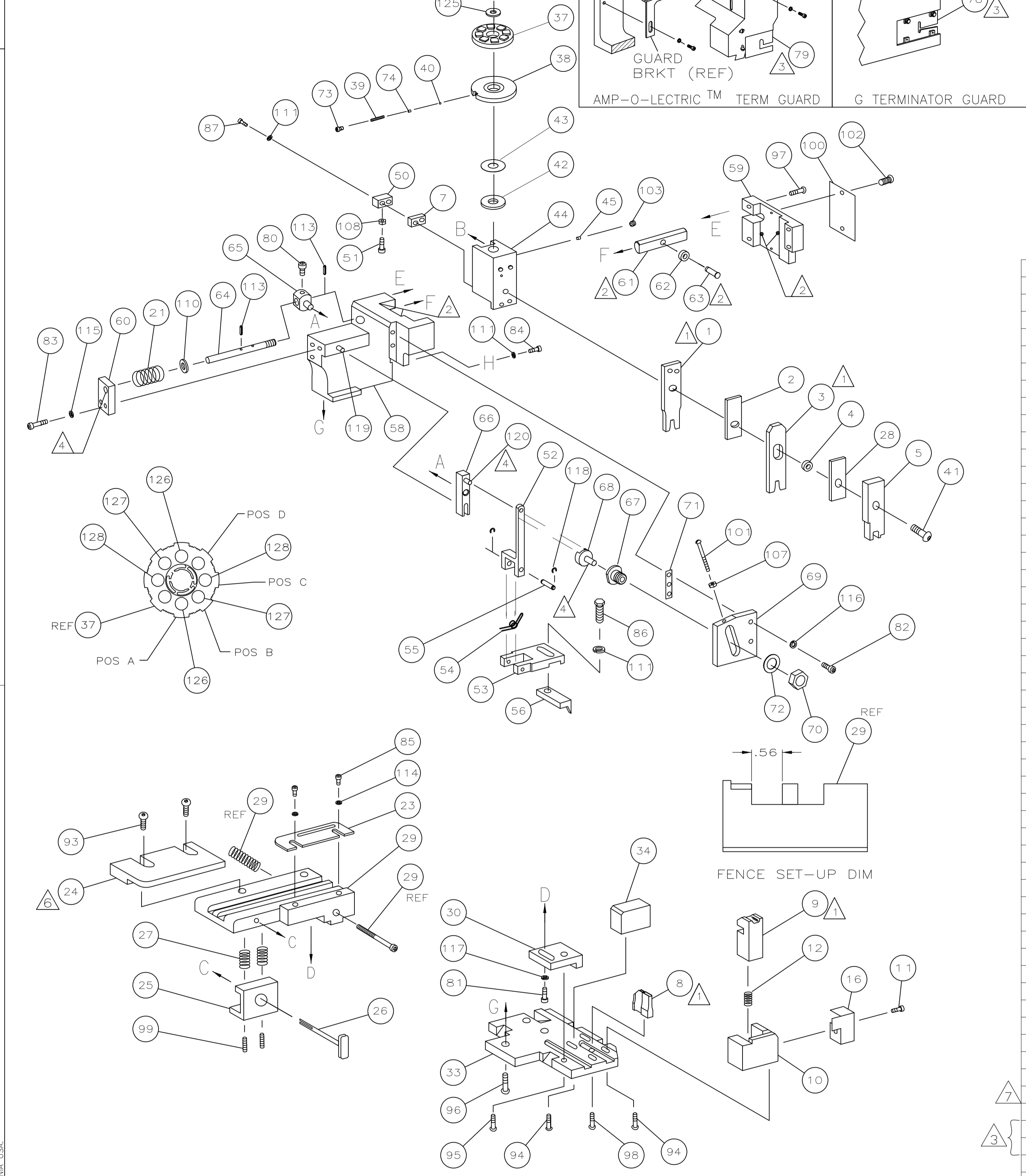


THIS DRAWING IS A CONTROLLED DOCUMENT.

| PART NUMBER | REV | FIRST USED |
|-------------|-----|------------|
| 1385578-1 | C | 122500-1 |
| 1385578-2 | C | 565435-5 |
| 1385578-3 | C | 354500-1 |



- 1 RECOMMENDED SPARE PARTS.
- 2 GREASE LIGHTLY.
- 3 GUARD MUST BE IN PLACE WHEN OPERATING APPLICATOR IN A BENCH MACHINE.
- 4 LUBRICATE DAILY USING NO. 20 MACHINE OIL.
- 5. ITEMS WITH QTY OF REF SPECIFIED (EXCEPT ITEMS 78 AND 79) ARE USED ON ITEM 46.
- 6 REAR STRIP GUIDE TO GUIDE ON INSULATION BARREL.
- 7 CUT TO LENGTH AT ASSY
- 8 TYCO P/N 6-1324624-5 OR 8-1324624-5.

| AMP TERM PN | | MFR TERM PN | | YAZAKI TERMINAL | | YAZAKI CRIMP SPECS | |
|-------------------|--------------|---------------------------|--|-----------------------------|--|--------------------|--|
| 1642298-1 | 7114-4101-02 | 7114-4101-08 | | | | | |
| PAD LTR | | CRIMP HEIGHT | | WIRE SIZE | | | |
| A | | .055 ±.002 [1.40 ±0.05mm] | | 16 | | | |
| B | | .049 ±.002 [1.25 ±0.05mm] | | 1.0mm ² | | | |
| C | | .047 ±.002 [1.20 ±0.05mm] | | 18 or 0.75mm ² ⚠ | | | |
| D | | NOT | | USED | | | |
| CRIMP | | SIZE | | TYPE | | RANGE | |
| WIRE | | .087 [2.21mm] | | F | | 16-18 | |
| INSUL | | .100 [2.54mm] | | OV | | .078 MAX | |
| WIRE STRIP LENGTH | | TERM APPL SPEC | | FEED | | APPL INSTRUCTION | |
| .197-.217 | | NONE | | .390 | | 408-8040 | |
| | | | | SET UP GAGE | | LAYOUT | |
| | | | | 458637-1 | | L2818 | |

| QTY | REF | DESCRIPTION | ITEM NO | | |
|-----|-----|-------------|------------|-----------------------------|-----|
| 2 | 2 | 2 | 2-354779-9 | PIN, WIRE DISC (.3135)C | 128 |
| 2 | 2 | 2 | 2-354779-5 | PIN, WIRE DISC (.3115)B | 127 |
| 2 | 2 | 2 | 1-354779-3 | PIN, WIRE DISC (.3055)A | 126 |
| 1 | 1 | 1 | 986950-1 | WASHER, FLAT PRECISION | 125 |
| 1 | 1 | 1 | 217238-1 | GENERAL INSTRUCTION PACKAGE | 124 |
| 1 | 1 | 1 | 4088040 | SF APPL INST 408-8040 | 123 |

| | | | | | | |
|-----|-----|-----|---|-----------|---------------------------------|-----|
| REF | REF | REF | - | 1-21030-1 | PIN,DOWEL(Ø.187x.50)LEVER | 120 |
| REF | REF | REF | - | 1-21030-6 | PIN,DOWEL(Ø.187x1.25)HOUSING | 119 |
| REF | REF | REF | - | 21045-3 | RING,RET "C"(Ø.187)FD FING PIN | 118 |
| 1 | 1 | 1 | - | 21024-5 | WASHER, LOCK(#10)ADJ BLOCK | 117 |
| REF | REF | REF | - | 21024-5 | WASHER,LOCK(#10)ADJ PLATE | 116 |
| REF | REF | REF | - | 21024-5 | WASHER,LOCK(#10)FEED GDE ROD | 115 |
| 2 | 2 | 2 | - | 21024-2 | WASHER,LOCK(#4)FRONT STP GUIDE | 114 |
| REF | REF | REF | - | 5-21028-1 | PIN,SLT SPR(Ø.125x.50)ADJ ROD | 113 |
| 4 | 4 | 4 | - | 21024-4 | WASHER,LOCK(#8)STRIPPER | 111 |
| REF | REF | REF | - | 21899-4 | WASHER,FLAT(Ø5/16)SCREW ADJ | 110 |
| 1 | 1 | 1 | - | 21018-5 | NUT,HEX(NO.6)HOLDDOWN | 109 |
| REF | REF | REF | - | 21068-5 | NUT,HEX(6-32)FEED ADJ | 107 |
| 1 | 1 | 1 | - | 21009-2 | SCR,SKT SET(1/4-20x.25 LW)RAM | 103 |
| 2 | 2 | 2 | - | 21017-2 | SCR,DRIVE(#2x.19)ID PLATE | 102 |
| REF | REF | REF | - | 6-23715-5 | SCR,PAN HD(6-32x1.50)FEED ADJ | 101 |
| 1 | 1 | 1 | - | 461264-1 | PLATE, IDENTIFICATION | 100 |
| 2 | 2 | 2 | - | 5-21006-6 | SCR,SET(10-32x.75)DRAG | 99 |
| 1 | 1 | 1 | - | 22733-8 | SCR,BHC(8-32x.38 LW)ANVIL | 98 |
| REF | REF | REF | - | 2-21002-9 | SCR,BHC(10-32x.75)CAP | 97 |
| REF | REF | REF | - | 2-22733-8 | SCR,BHC(1/4-20x.62)HOUSING | 96 |
| REF | REF | REF | - | 2-21002-7 | SCR,BHC(10-32x.50)SG ADJ BLOCK | 95 |
| 4 | 4 | 4 | - | 2-21002-2 | SCR,BHC(8-32x.50)TERM H DWN | 94 |
| 2 | 2 | 2 | - | 2-21002-3 | SCR,BHC(8-32x.62)R STP GDE | 93 |
| 1 | 1 | 1 | - | 1-21002-7 | SCR,BHC(6-32x.38)CAM | 91 |
| 2 | 2 | 2 | - | 2-21000-9 | SCR,SHC(8-32x.75)DEP-HOLD | 87 |
| 1 | 1 | 1 | - | 2-22603-0 | SCR,HEX HD(8-32x.31)FEED FINGER | 86 |
| 2 | 2 | 2 | - | 1-21000-3 | SCR,SHC(4-40x.25)FR ST GUIDE | 85 |
| 1 | 1 | 1 | - | 2-21000-7 | SCR,SHC(8-32x.50)STRIPPER | 84 |
| REF | REF | REF | - | 3-21000-7 | SCR,SHC(10-32x.75)FEED ROD GD | 83 |
| REF | REF | REF | - | 3-21000-6 | SCR,SHC(10-32x.62)FD ADJ BLK | 82 |
| 1 | 1 | 1 | - | 3-21000-4 | SCR,SHC(10-32x.38)SG ADJ BL | 81 |
| REF | REF | REF | - | 3-21000-4 | SCR,SHC(10-32x.38)PIVOT BLK | 80 |
| - | REF | - | - | 455749-1 | GUARD, WINDOW | 79 |
| REF | - | - | - | 679532-1 | INSERT, GUARD | 78 |
| 1 | 1 | 1 | - | 690603-1 | SPRING, ASSIST | 74 |
| 1 | 1 | 1 | - | 23030-1 | SCR,SHC(6-32x.25 SL)INS DISC | 73 |
| REF | REF | REF | - | 458109-1 | WASHER, SPECIAL | 72 |
| REF | REF | REF | - | 690517-1 | SPACER | 71 |

| QTY | REF | DESCRIPTION | ITEM NO | | | |
|-----|-----|-------------|-----------|---------------------------------|-------------------------------|----|
| 1 | 1 | 1 | 1-21002-7 | SCR,BHC(6-32x.38)CAM | 91 | |
| 2 | 2 | 2 | 2-21000-9 | SCR,SHC(8-32x.75)DEP-HOLD | 87 | |
| 1 | 1 | 1 | 2-22603-0 | SCR,HEX HD(8-32x.31)FEED FINGER | 86 | |
| 2 | 2 | 2 | 1-21000-3 | SCR,SHC(4-40x.25)FR ST GUIDE | 85 | |
| 1 | 1 | 1 | 2-21000-7 | SCR,SHC(8-32x.50)STRIPPER | 84 | |
| REF | REF | REF | - | 3-21000-7 | SCR,SHC(10-32x.75)FEED ROD GD | 83 |
| REF | REF | REF | - | 3-21000-6 | SCR,SHC(10-32x.62)FD ADJ BLK | 82 |
| 1 | 1 | 1 | - | 3-21000-4 | SCR,SHC(10-32x.38)SG ADJ BL | 81 |
| REF | REF | REF | - | 3-21000-4 | SCR,SHC(10-32x.38)PIVOT BLK | 80 |
| - | REF | - | - | 455749-1 | GUARD, WINDOW | 79 |
| REF | - | - | - | 679532-1 | INSERT, GUARD | 78 |

| QTY | REF | DESCRIPTION | ITEM NO | | | |
|-----|-----|-------------|-----------|---------------------------------|-------------------------------|----|
| 1 | 1 | 1 | 1-21002-7 | SCR,BHC(6-32x.38)CAM | 91 | |
| 2 | 2 | 2 | 2-21000-9 | SCR,SHC(8-32x.75)DEP-HOLD | 87 | |
| 1 | 1 | 1 | 2-22603-0 | SCR,HEX HD(8-32x.31)FEED FINGER | 86 | |
| 2 | 2 | 2 | 1-21000-3 | SCR,SHC(4-40x.25)FR ST GUIDE | 85 | |
| 1 | 1 | 1 | 2-21000-7 | SCR,SHC(8-32x.50)STRIPPER | 84 | |
| REF | REF | REF | - | 3-21000-7 | SCR,SHC(10-32x.75)FEED ROD GD | 83 |
| REF | REF | REF | - | 3-21000-6 | SCR,SHC(10-32x.62)FD ADJ BLK | 82 |
| 1 | 1 | 1 | - | 3-21000-4 | SCR,SHC(10-32x.38)SG ADJ BL | 81 |
| REF | REF | REF | - | 3-21000-4 | SCR,SHC(10-32x.38)PIVOT BLK | 80 |
| - | REF | - | - | 455749-1 | GUARD, WINDOW | 79 |
| REF | - | - | - | 679532-1 | INSERT, GUARD | 78 |

| REF | REF | REF | REF | REF | REF | REF | REF | REF | REF |
|-----|---------------|------|-----------|-----|-----|-----|-----|-----|-----|
| -1 | LEADMAKER | MECH | POST FEED | | | | | | |
| -2 | BENCH MODEL K | MECH | PRE FEED | | | | | | |
| -3 | BENCH MODEL G | MECH | PRE FEED | | | | | | |

| | | | | | | |
|-----|-----|-----|---|-----------|-----------------------------|----|
| REF | REF | REF | - | 22594-8 | NUT,HEX(1/2-20) | 70 |
| REF | REF | REF | - | 240628-1 | PLATE, ADJUSTMENT | 69 |
| REF | REF | REF | - | 240626-1 | SHAFT, PIVOT | 68 |
| REF | REF | REF | - | 240633-1 | BUSHING | 67 |
| REF | REF | REF | - | 455680-1 | LEVER, INTERMEDIATE | 66 |
| REF | REF | REF | - | 240629-1 | BLOCK, PIVOT | 65 |
| REF | REF | REF | - | 240632-2 | SCREW, ADJ FEED ROD | 64 |
| REF | REF | REF | - | 240659-3 | PIN, CAM ROLLER | 63 |
| REF | REF | REF | - | 240658-1 | ROLLER, CAM | 62 |
| REF | REF | REF | - | 454398-2 | ROD, FEED | 61 |
| REF | REF | REF | - | 454178-1 | GUIDE, FEED ROD | 60 |
| REF | REF | REF | - | 454220-1 | CAP, RAM | 59 |
| REF | REF | REF | - | 454485-1 | HOUSING | 58 |
| 1 | 1 | 1 | - | 458537-2 | PAWL, FEED | 56 |
| REF | REF | REF | - | 240624-1 | PIN, FEED FINGER | 55 |
| REF | REF | REF | - | 691499-1 | SPRING, FEED FINGER | 54 |
| REF | REF | REF | - | 690541-1 | HOLDER, FEED FINGER | 53 |
| REF | REF | REF | - | 455679-2 | LEVER, TERMINAL FEED ARM | 52 |
| 1 | 1 | 1 | - | 811242-2 | BUMPER, HOLDDOWN | 51 |
| 1 | 1 | 1 | - | 690753-1 | SPACER, TONKER | 50 |
| 1 | - | - | - | 690602-6 | CAM, PRE-FEED 1 5/8 ST | 49 |
| - | 1 | - | - | 690602-5 | CAM, PRE-FEED 1 1/8 ST | 48 |
| - | - | 1 | - | 690501-4 | CAM, POST-FEED 1 5/8 ST | 47 |
| 1 | 1 | 1 | - | 459456-2 | APPLICATOR, BASIC (SUBASSY) | 46 |
| 1 | 1 | 1 | - | 690191-1 | PLUG, NYLON | 45 |
| 1 | 1 | 1 | - | 455673-6 | RAM | 44 |
| 1 | 1 | 1 | - | 690125-1 | WASHER, LAMINATED | 43 |
| 1 | 1 | 1 | - | 690124-1 | WASHER, RAM | 42 |
| 1 | 1 | 1 | - | 7-21002-9 | BOLT, CRIMPER(5/16x1.00) | 41 |
| 1 | 1 | 1 | - | 23241-6 | BALL, STEEL | 40 |
| 1 | 1 | 1 | - | 690170-1 | SPRING, COMPRESSION | 39 |
| 1 | 1 | 1 | - | 690142-3 | DISC, INSULATION | 38 |
| 1 | 1 | 1 | - | 354777-1 | WIRE DISC, PLASTIC | 37 |
| 1 | 1 | 1 | - | 22480-5 | WASHER, SPRING | 36 |
| 1 | 1 | 1 | - | 690212-1 | POST, RAM | 35 |
| 1 | 1 | 1 | - | 690786-2 | SUPPORT, TERMINAL | 34 |
| REF | REF | REF | - | 455675-1 | PLATE, BASE | 33 |

| | | | | | | |
|-----|-----|-----|---|-------------|--------------------------|----|
| REF | REF | REF | - | 455689-1 | BLOCK, STRIP GUIDE ADJ | 30 |
| 1 | 1 | 1 | - | 318756-3 | STRIP GUIDE PLATE ASSY | 29 |
| 1 | 1 | 1 | - | 2-455888-2 | SPACER, FRONT SHEAR DEP | 28 |
| 2 | 2 | 2 | - | 1-22284-0 | SPRING, DRAG | 27 |
| 1 | 1 | 1 | - | 690546-1 | LEVER, DRAG RELEASE | 26 |
| 1 | 1 | 1 | - | 217233-1 | DRAG, TERMINAL | 25 |
| 1 | 1 | 1 | - | 1-90765-8 | GUIDE, STRIP (REAR) | 24 |
| 1 | 1 | 1 | - | 1-690438-1 | GUIDE, STRIP (FRONT) | 23 |
| - | - | 1 | - | 690472-2 | STRIPPER | 22 |
| REF | REF | REF | - | 4-22284-9 | SPRING, FEED RETURN | 21 |
| 1 | 1 | - | - | 691353-1 | STRIPPER | 19 |
| 1 | 1 | 1 | - | 318563-1 | GUARD, CHIP, FRONT | 16 |
| 1 | 1 | 1 | - | 3-22280-3 | SPRING, SHEAR | 12 |
| 1 | 1 | 1 | - | 690461-1 | STOP, SHEAR | 11 |
| 1 | 1 | 1 | - | 690459-1 | HOLDER, SHEAR (FRONT) | 10 |
| 1 | 1 | 1 | - | 1-454276-9 | SHEAR, FLOAT (FRONT) | 9 |
| 1 | 1 | 1 | - | 7-662520-4 | ANVIL | 8 |
| 1 | 1 | 1 | - | 2-240641-5 | SPACER, DEPRESSOR (REAR) | 7 |
| 1 | 1 | 1 | - | 1-455889-4 | DEPRESSOR, SHEAR (FRONT) | 5 |
| 1 | 1 | 1 | - | 238011-4 | SPACER, BLOCK CRIMPER | 4 |
| 1 | 1 | 1 | - | 1-854830-8 | CRIMPER, INSULATION | 3 |
| 1 | 1 | 1 | - | 1-455888-0 | SPACER, CRIMPER | 2 |
| 1 | 1 | 1 | - | 3-1490019-7 | CRIMPER, WIRE | 1 |

| QTY | REF | DESCRIPTION | ITEM NO | | | |
|-----|-----|-------------|-----------|---------------------------------|-------------------------------|----|
| 1 | 1 | 1 | 1-21002-7 | SCR,BHC(6-32x.38)CAM | 91 | |
| 2 | 2 | 2 | 2-21000-9 | SCR,SHC(8-32x.75)DEP-HOLD | 87 | |
| 1 | 1 | 1 | 2-22603-0 | SCR,HEX HD(8-32x.31)FEED FINGER | 86 | |
| 2 | 2 | 2 | 1-21000-3 | SCR,SHC(4-40x.25)FR ST GUIDE | 85 | |
| 1 | 1 | 1 | 2-21000-7 | SCR,SHC(8-32x.50)STRIPPER | 84 | |
| REF | REF | REF | - | 3-21000-7 | SCR,SHC(10-32x.75)FEED ROD GD | 83 |
| REF | REF | REF | - | 3-21000-6 | SCR,SHC(10-32x.62)FD ADJ BLK | 82 |
| 1 | 1 | 1 | - | 3-21000-4 | SCR,SHC(10-32x.38)SG ADJ BL | 81 |
| REF | REF | REF | - | 3-21000-4 | SCR,SHC(10-32x.38)PIVOT BLK | 80 |
| - | REF | - | - | 455749-1 | GUARD, WINDOW | 79 |
| REF | - | - | - | 679532-1 | | |