

4

3

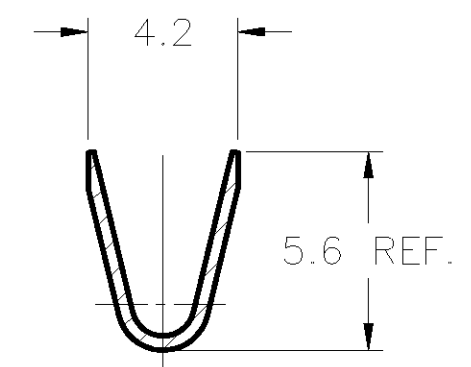
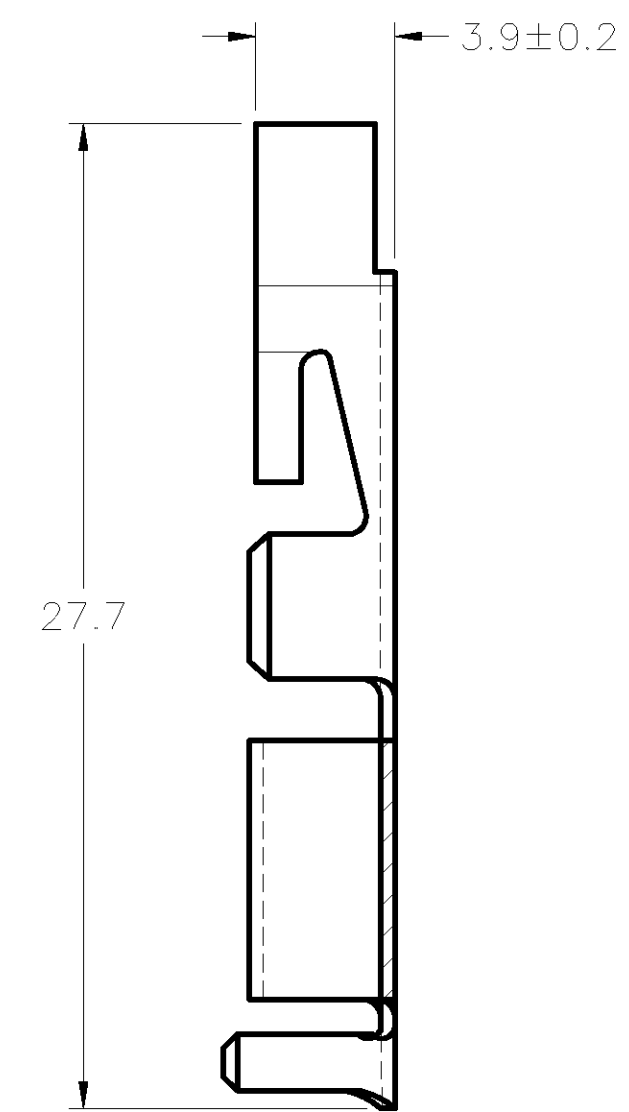
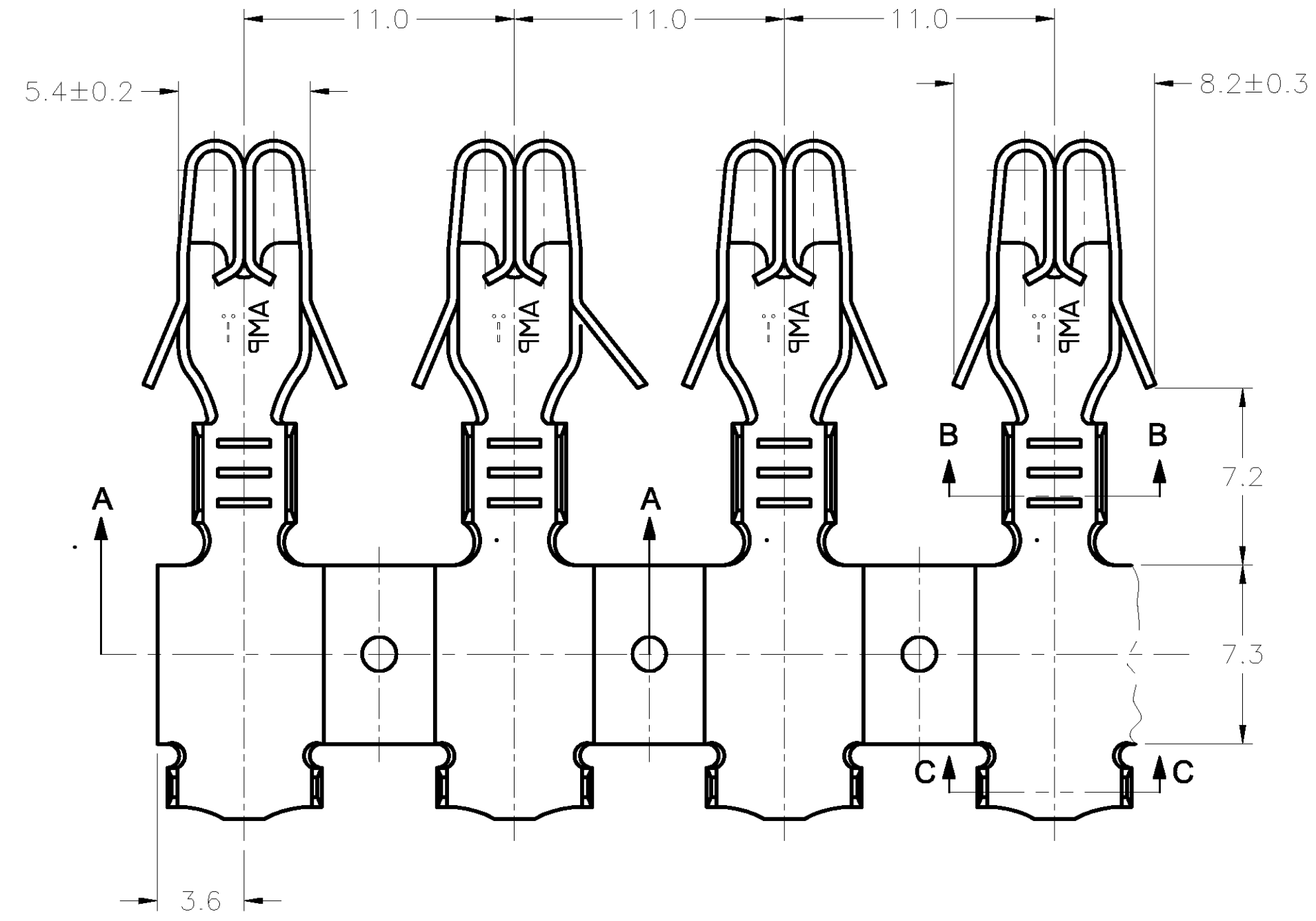
2

1

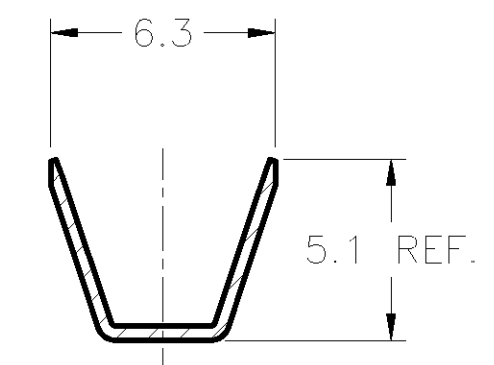
THIS DRAWING IS UNPUBLISHED. RELEASED FOR PUBLICATION .19  
 © COPYRIGHT 19 BY AMP INCORPORATED. ALL RIGHTS RESERVED.

CAD  
 (Autodesk)  
 DO NOT REVISE  
 EXCEPT BY CAD

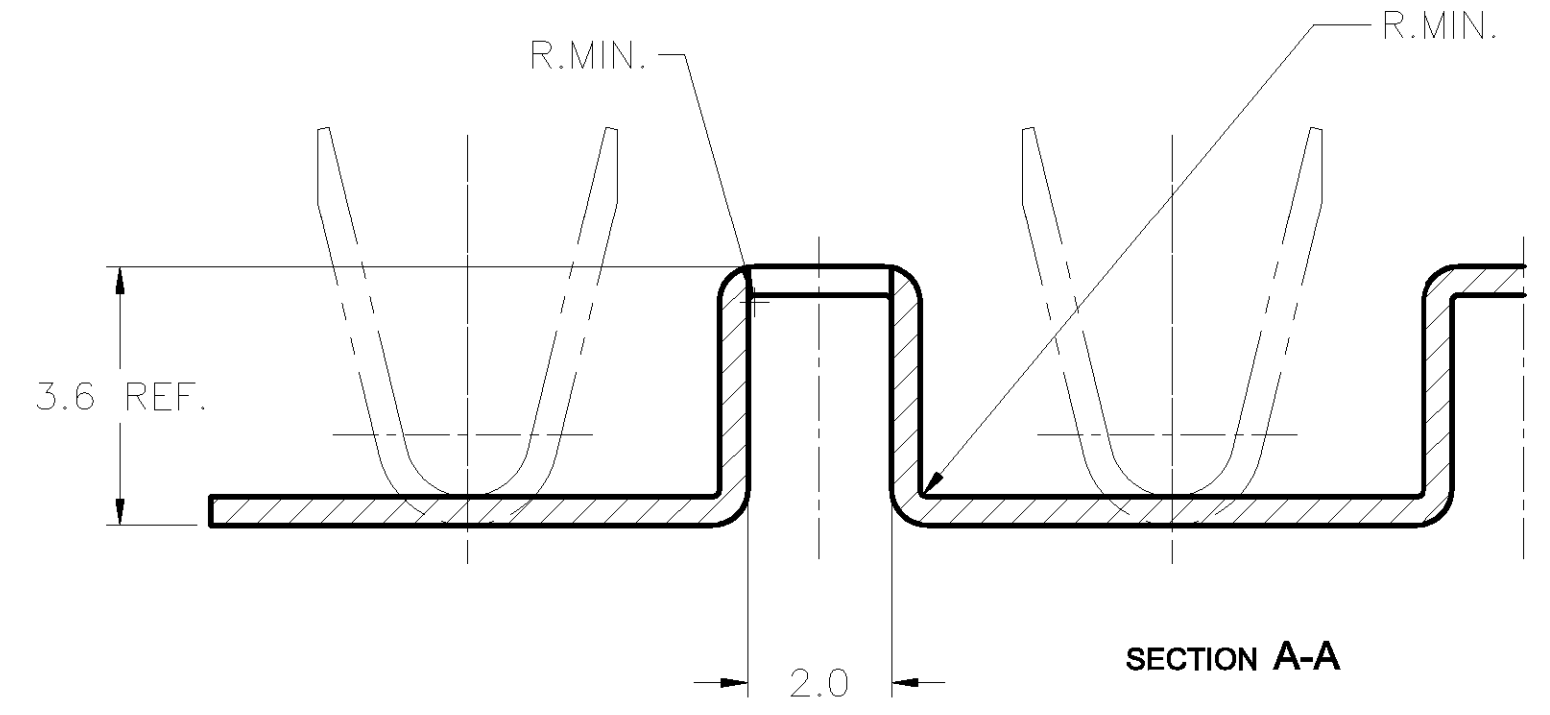
LOC		DIST		REVISIONS		
P	LTR	DESCRIPTION	DATE	DWN	APVD	
E		REDRAW BY EC 0475/99	07JAN00	FSM	PLF	
F		REVISED BY ECLB00-0274/01	02JUL01	HL	PLF	
F1		REVISED PER ECO-09-026444	28NOV09	KK	AEG	



SECTION B-B



SECTION C-C



SECTION A-A

- △ - A QUANTIDADE DE CONTATOS NO BUS-BAR É DEFINIDA PELA NECESSIDADE DO CLIENTE E CORTADA DE ACORDO COM O APLICADOR ESPEDIFICO.  
THE BUS-BAR CONTACTS NUMBER IS DEFINED BY CUSTOMER'S NEEDS AND CUT ACCORDINGLY TO THE SPECIFIC APPLICATOR
- △ - ESTES PART NUMBERS SÃO APENAS PARA REFERÊNCIA DO USUÁRIO  
THESE PN'S ARE FOR USER'S REFERENCE ONLY
- △ - OS TERMINAIS SÃO FORNECIDOS EM FORMA DE FITA CONTÍNUA SOMENTE  
THE CONTACTS ARE SUPPLIED IN CONTINUOUS STRIP FORM ONLY
- △ - OBSOLETE PARTS: OBSOLETE CIS STREAMLINING PER D.RENAUD/D.SINISI

QTY	WIRE RANGE	INSUL. RANGE	FINISH	MATERIAL	PART NUMBER
4	40,12±0,08	2,5 - 5,0mm <sup>2</sup>	PRE-ESTANHADO/PRE-TINNED	COBRE FERRO/COPPER IRON	1-880548-6
3	29,12±0,08	3,3 - 5,0mm	PRE-ESTANHADO/PRE-TINNED	COBRE FERRO/COPPER IRON	1-880548-5
2	18,12±0,08		PRE-ESTANHADO/PRE-TINNED	COBRE FERRO/COPPER IRON	1-880548-4
4	40,12±0,08		-/-	COBRE FERRO/COPPER IRON	1-880548-3
3	29,12±0,08		-/-	COBRE FERRO/COPPER IRON	1-880548-2
2	18,12±0,08		-/-	COBRE FERRO/COPPER IRON	1-880548-1
-	-		PRE-ESTANHADO/PRE-TINNED	COBRE FERRO/COPPER IRON	1-880548-0
-	-		-/-	COBRE FERRO/COPPER IRON	880548-9
4	40,12±0,08		PRE-ESTANHADO/PRE-TINNED	LATÃO/BRASS	880548-8
3	29,12±0,08		PRE-ESTANHADO/PRE-TINNED	LATÃO/BRASS	880548-7
2	18,12±0,08		PRE-ESTANHADO/PRE-TINNED	LATÃO/BRASS	880548-6
4	40,12±0,08		-/-	LATÃO/BRASS	880548-5
3	29,12±0,08		-/-	LATÃO/BRASS	880548-4
2	18,12±0,08		-/-	LATÃO/BRASS	880548-3
-	-		PRE-ESTANHADO/PRE-TINNED	LATÃO/BRASS	880548-2
-	-		-/-	LATÃO/BRASS	880548-1

NOTES: APPLICATOR FEED QTY TERM. △ FINISH MATERIAL PART NUMBER

THIS DRAWING IS A CONTROLLED DOCUMENT.

DIMENSIONS: MM	TOLERANCES UNLESS OTHERWISE SPECIFIED:	DWN: 03NOV1999 F.S.MARTINS	CHK: 07JAN2000 P.L.FARIA	APVD: 10JAN2000 F.ALEXANDRONI	NAME: AMP do BRASIL Ltda. São Paulo - Brasil
0 PLC ± -	1 PLC ± 0,5	AMP			
2 PLC ± -	3 PLC ± -	FUSE CONTACT (BUS-BAR)			
4 PLC ± -	ANGLES ± ± 1°	SIZE: A2 CAGE CODE: 00779 DRAWING NO: C-880548			
MATERIAL: SEE TABLE	FINISH: SEE TABLE	RESTRICTED TO: -			
WIRE RANGE: 2,5 - 5,0mm <sup>2</sup>		CUSTOMER DRAWING SCALE: 5:1 SHEET: 1 OF 1 REV: F1			
INSUL. RANGE: 3,3 - 5,0mm					

880548