

H G F E D C B A

4

3

2

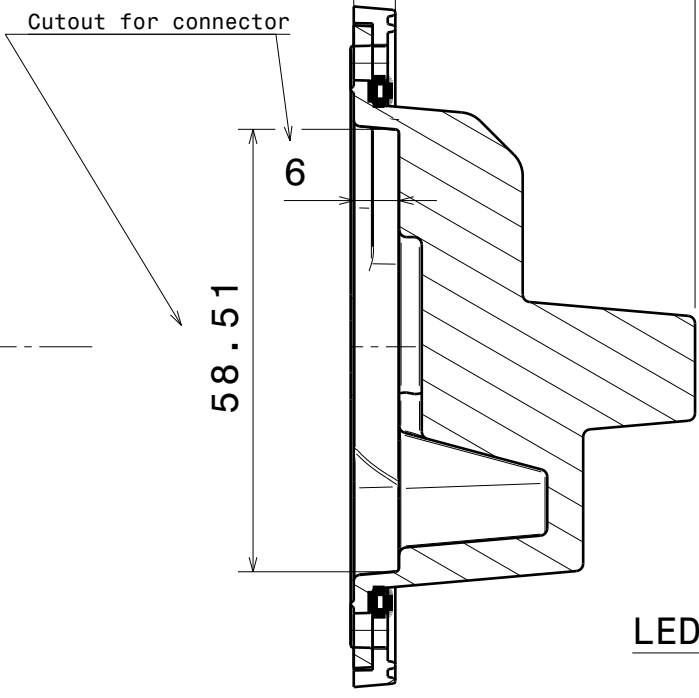
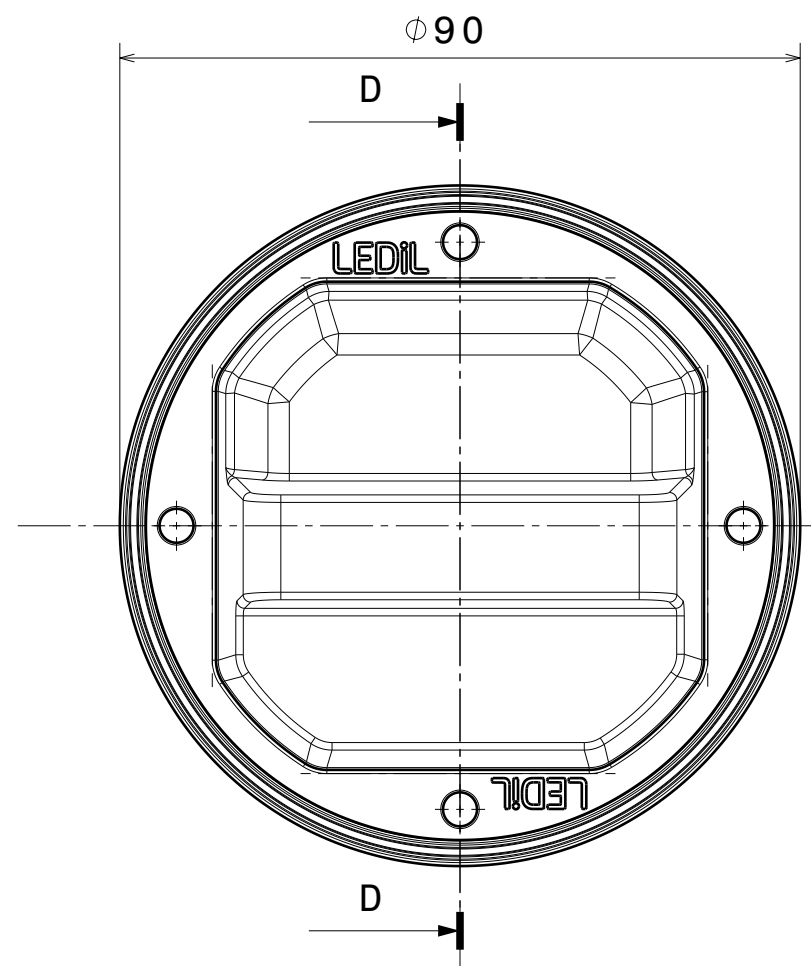
1

4

3

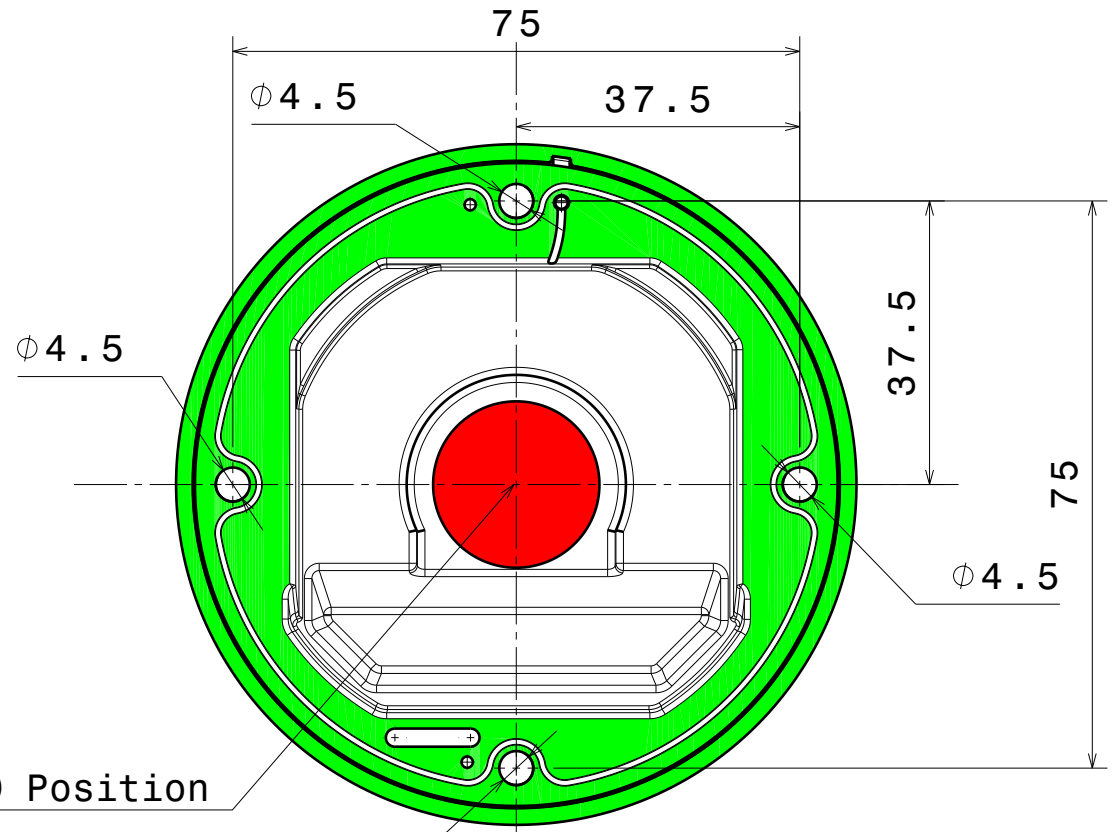
2

1

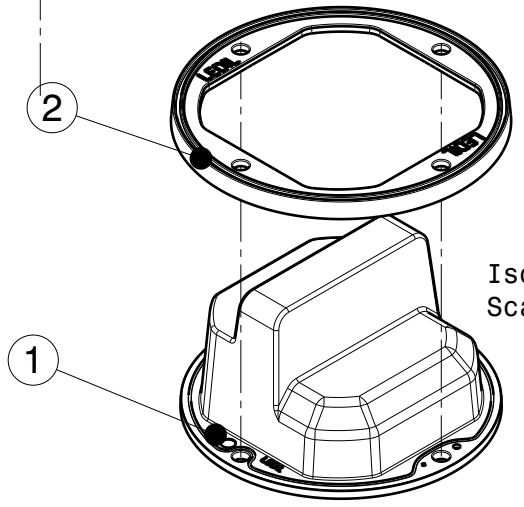


Section view D-D
Scale: 1:1

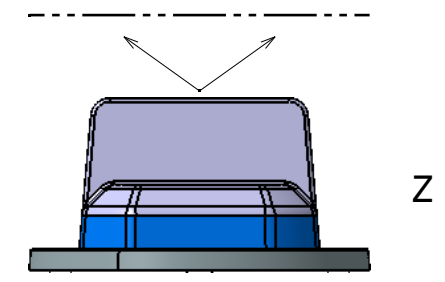
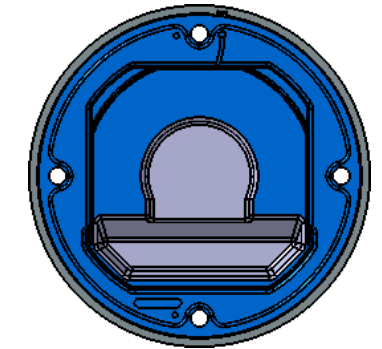
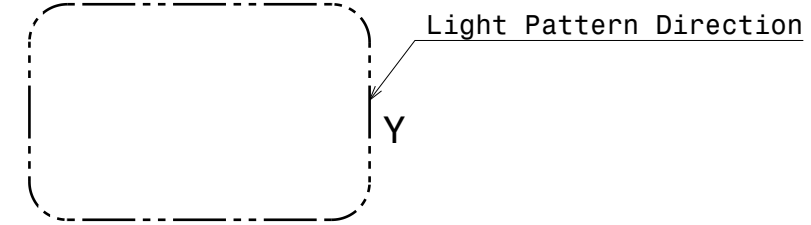
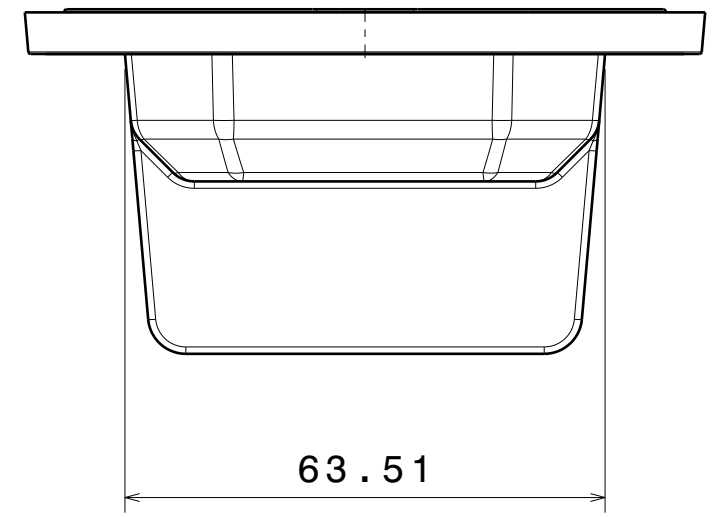
X



LED Position



Isometric view
Scale: 1:2



Z

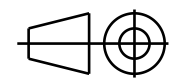
COMPONENTS

| INDEX | PRODUCT | TYPE | MATERIAL | COLOUR/COATING |
|-------|-------------------------|-------|----------|----------------|
| 1 | F16357_STELLA-G2-T4 | LENS | SILICONE | CLEAR |
| 2 | F14252_STELLA-FRAME-WHT | FRAME | PLASTIC | WHITE |

MECHANICAL DRAWING

PRODUCT
FN16480_STELLA-G2-T4

Tolerances if not otherwise shown
According to DIN ISO 2768-1
Linear measures:
Up to 30mm class M, otherwise class C.
According to DIN ISO 2768-2
Form and position: class L

FIRST ANGLE PROJECTION:




This drawing is the property of LEDiL Oy. It may not be reproduced, copied or communicated without a written agreement with LEDiL Oy.

| | | | | | |
|-------|-----|------|----|-------|-----|
| SCALE | 1:1 | SIZE | A3 | SHEET | 1/2 |
|-------|-----|------|----|-------|-----|

Notes

- PCB or heat sink level
 - Led location
- For more details about compatible LEDs please check measured results on www.ledil.com and 3D model for more detailed mechanical information
- See installation details on page 2

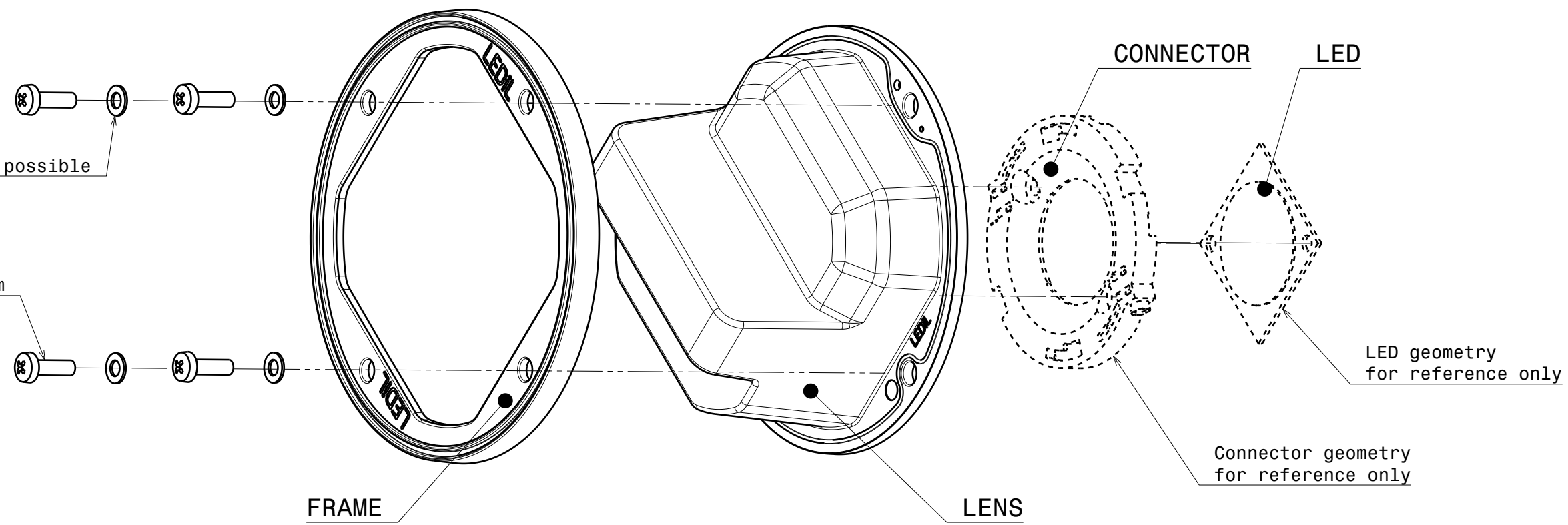
H G F E D C B A

H G F E D C B A

4

Use washer with screw if possible

Recommended max. torque for screw fixing: 0.40 Nm

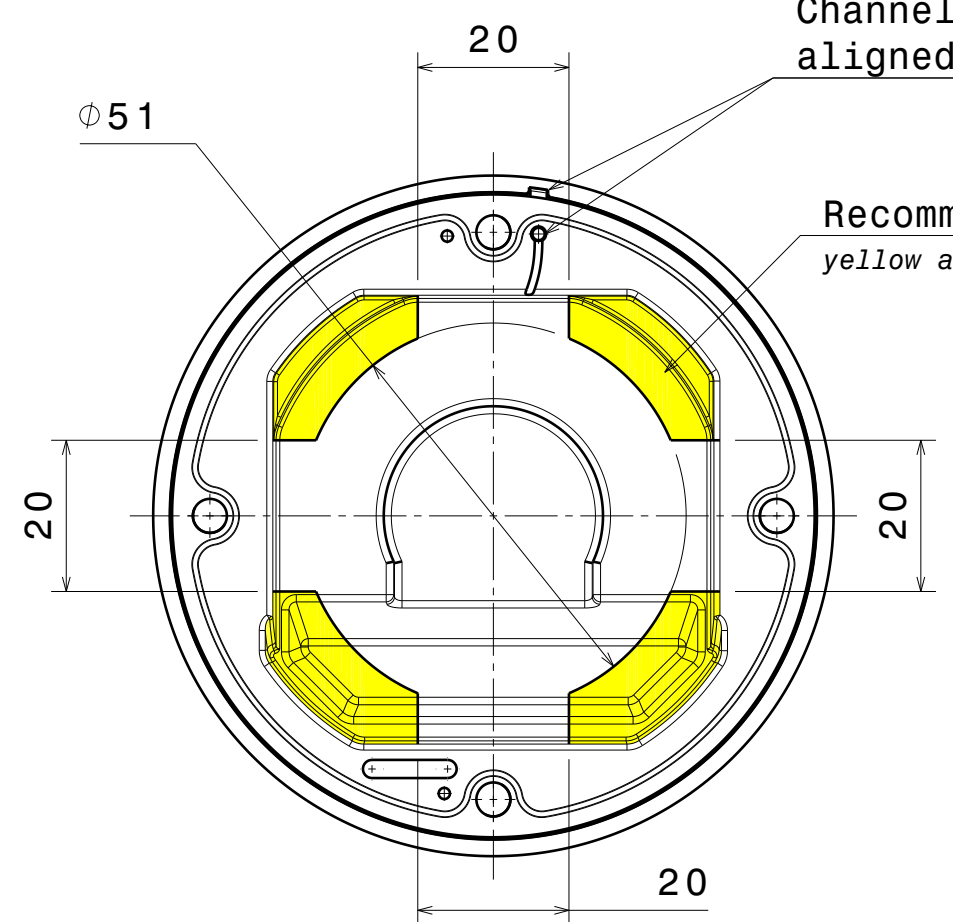


4

3

3

Channels in LENS and FRAME must be aligned to enable option for venting



Recommended inlet area for wiring yellow areas

Check suitability and design requirements with each connector

2

2

Notes

For more details about installation please check LEDiL Installation Guide on www.ledil.com

| | | |
|---|-----------------------------|---|
| MECHANICAL DRAWING | | LEDiL[®] |
| PRODUCT FN16480_STELLA-G2-T4 | | |
| Tolerances if not otherwise shown According to DIN ISO 2768-1 Linear measures: Up to 30mm class M, otherwise class C. According to DIN ISO 2768-2 Form and position: class L | FIRST ANGLE PROJECTION: | This drawing is the property of LEDiL Oy. It may not be reproduced, copied or communicated without a written agreement with LEDiL Oy. |
| SCALE | 1:1 | SIZE A3 SHEET 2/2 |

1

H G B A