



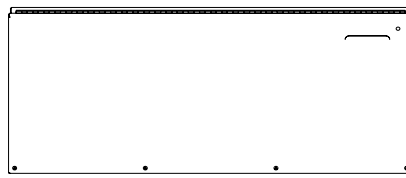
**PART No. 1488JS11**

for more information visit

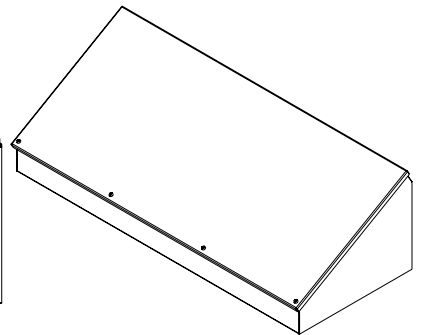
[www.hammfg.com](http://www.hammfg.com)

Data subject to change without notice

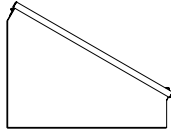
Isometric drawing Not to Scale



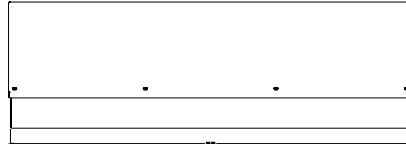
TOP VIEW



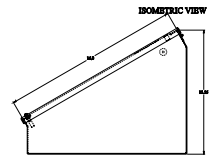
BACK VIEW



SIDE VIEW



FRONT VIEW



ISOMETRIC VIEW

SIDE VIEW



BOTTOM VIEW