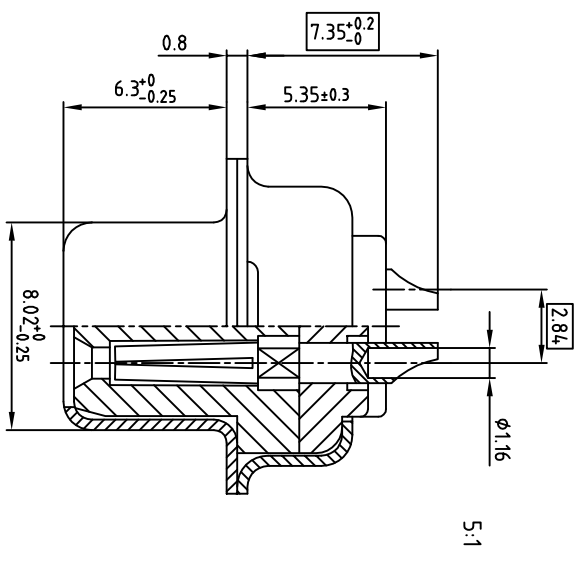
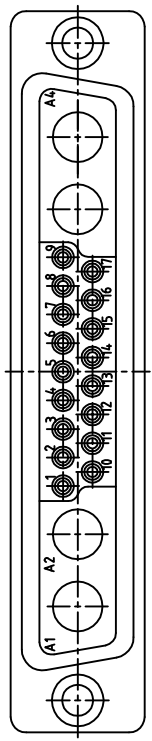
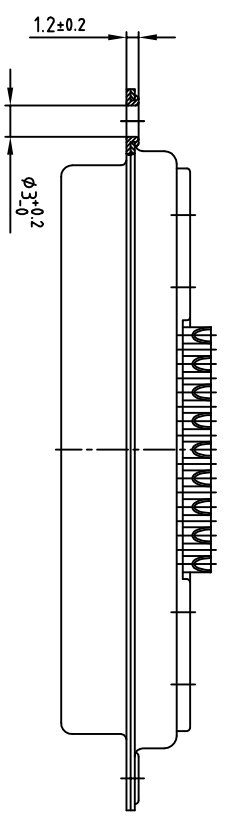
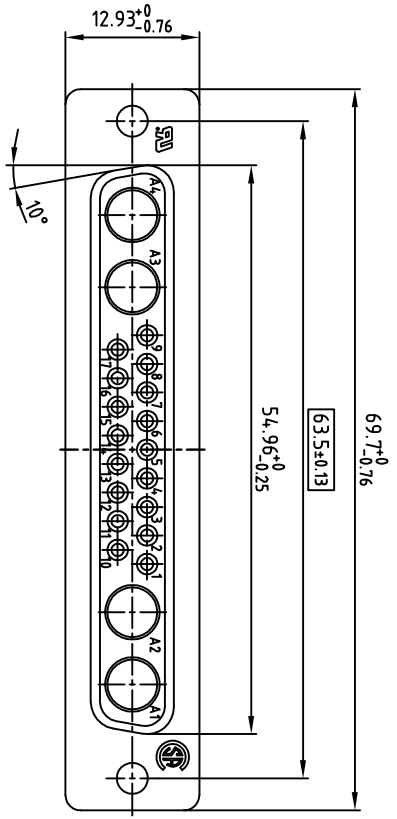


Used for: D-SUB COMBINATION



Directive 2002/95/EC
"RoHS"
Compliant

- NOTES:
1. METALSHELLS: STEEL: min. 320µ" TIN
 2. INSULATORS: PBT GF UL 94 V-0, GREEN
 3. CONTACTS: COPPER ALLOY
 4. PLATING: min. 30µ" HARD GOLD OVER min. 50µ" NICKEL
 5. = CRITICAL DIMENSION: SPC

THIS DRAWING MAY NOT BE COPIED OR REPRODUCED IN ANY WAY, AND MAY NOT BE PASSED ON TO A THIRD PARTY WITHOUT WRITTEN PERMISSION.
OWNERSHIP AND COPYRIGHT OF CONEC GmbH
DO NOT ALTER CAD DRAWING BY HAND

rev.	description	date	name

tolerance		scale: 2.1(5:1)	
material: SEE NOTES		title: D-SUB COMBINATION FEMALE	
name: Baranski		appd. 12.01.	
norm: Mischenbecker		d-did	
date: 2000		drawn: 12.01.	
name: Baranski		appd. 12.01.	
name: Mischenbecker		norm	
name: Mischenbecker		d-did	
CONEC		dwg no: 13K21W7A	
product no: 321WA4SCM99A10X		[CAD/ REL.14]	
		DIN-A	
		3	
		Sh:1/1	