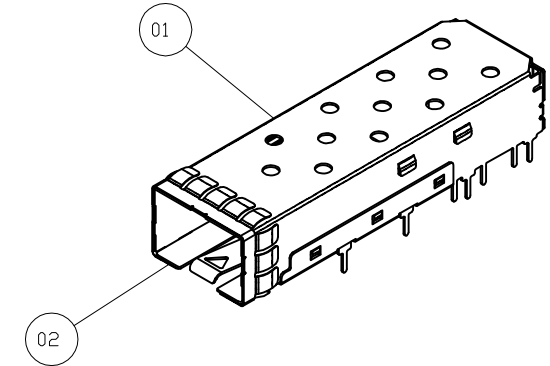
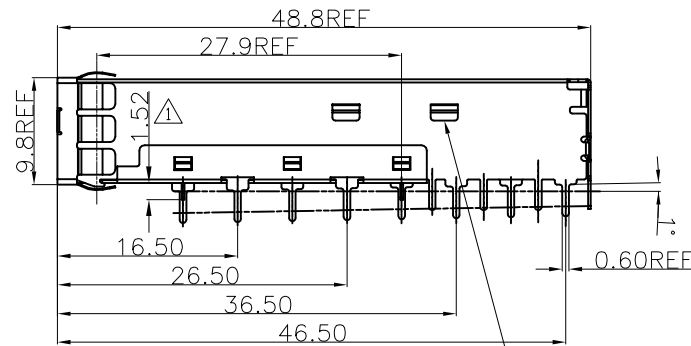
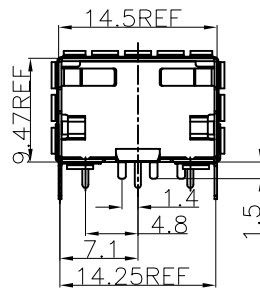
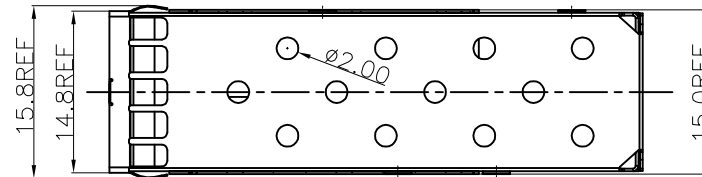
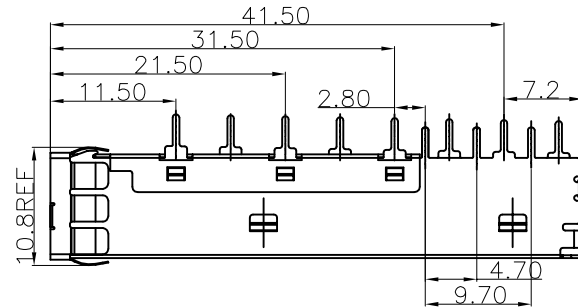


REVISION RECORD		
REV	DESCRIPTION	DRFT
1	UPDATE DIM	Jack 8/05/11'
2	MODIFY NI PLATING SPEC.	Jack 11/11/11'
3	ADD DIMENSION 1.50	Roy 7/03/13'



TABS USED TO MOUNT LIGHT PIPE

NOTE:

- | 1. DESCRIPTION | Q'ty | MATERIAL | PLATING |
|-------------------------------|------|----------|-------------|
| 01 SFP TOP CAGE (Non-Logo) | 1PCS | COPPER | MATT NICKLE |
| 02 SFP BOTTOM CAGE (Non-Logo) | 1PCS | COPPER | MATT NICKLE |
2. PLATED: PLATED NICKEL 50u"-350u" Max
3. TEMPERATURE:
 OPERATION: -40°C~ +85°C
 STORAGE: -40°C~ +85°C
4. RoHS COMPLIANT

PART NUMBER
SFPPCAGE001-02-L

DETACHED LISTS	MM (INCH)	RoHS Compliant		Pulse Electronics		FULL RISE ELECTRONIC CO., LTD	
	TOLERANCES EXCEPT AS NOTED		DFTD PETER	DATE 6/11/08'	TITLE THROUGH HOLE		
	MM		CHKD	DATE	DRAWING NO. CSFPPCAGE001-02-L		
	.0 ± 0.25	±	APPL	DATE	/PART NO. SFPPCAGE001-02-L		
.00 ± 0.20	±			SCALE : 1:1		SIZE A3	REV 3
.000 ± 0.10	±			DO NOT SCALE DRAWING		SHEET 1	OF 2
ANGLES ± 0.5°		THIRD ANGLE PROJECTION					

8

7

6

5

4

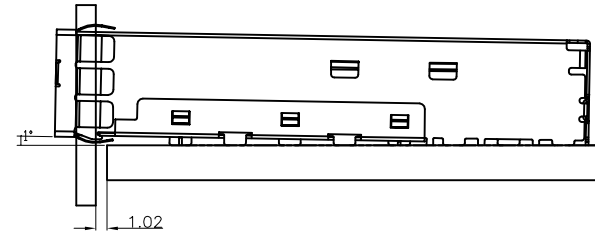
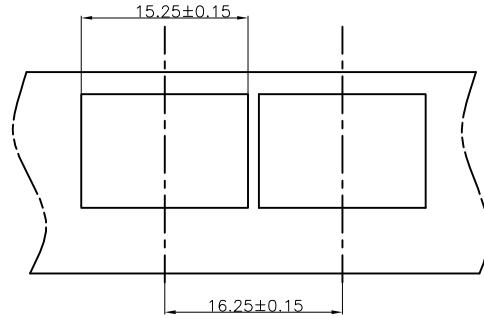
3

2

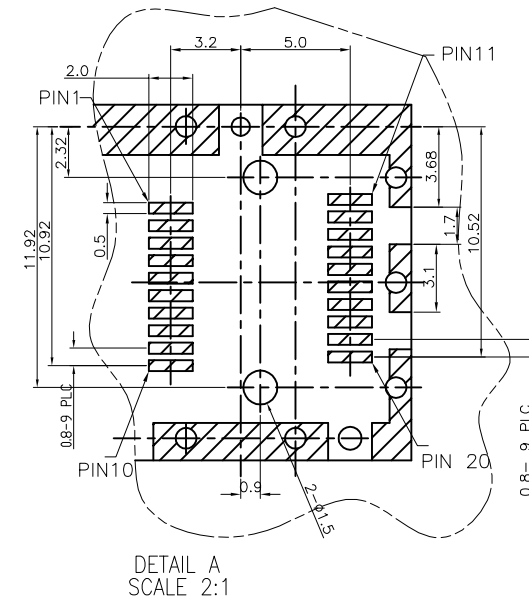
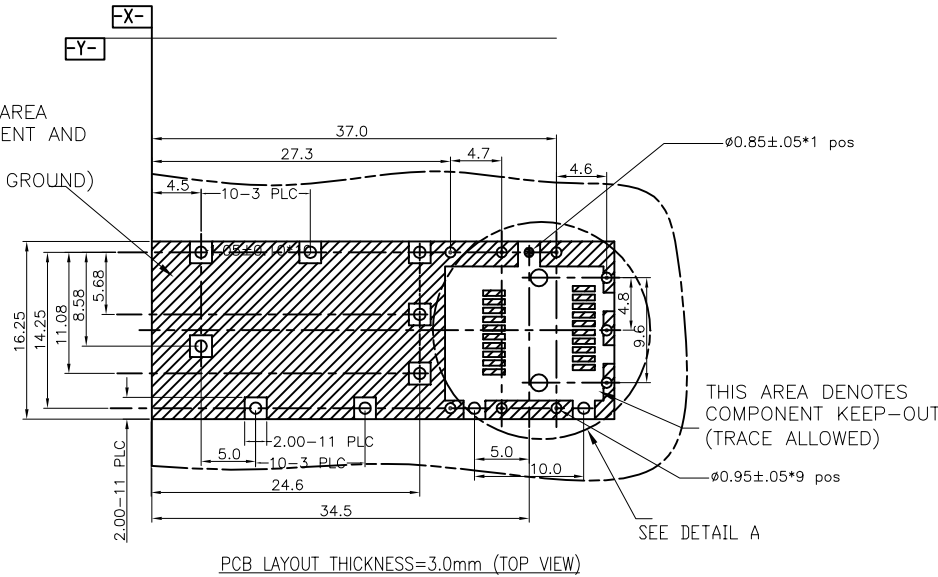
1

H
G
F
E
D
C
B
A

REVISION RECORD		
REV	DESCRIPTION	DRFT
1	UPDATE DIM	Jack 8/05/11'
2	MODIFY NI PLATING SPEC.	Jack 11/11/11'
3	ADD DIMENSION 1.50	Roy 7/03/13'



CROSS-HATCHED AREA
DENOTES COMPONENT AND
TRACE KEEP-OUT
(EXCEPT CHASSIS GROUND)



- ⊙ ∅1.05 * 10
- ∅0.95 * 9
- ∅0.85 * 1

Suggestion: Through hole is $\varnothing 0.85 +0.05/-0$

		RoHS Compliant				FULL RISE ELECTRONIC CO., LTD	
TOLERANCES EXCEPT AS NOTED MM .0 ± 0.25 .00 ± 0.20 .000 ± 0.10		DFTD PETER CHKD APPVL	DATE 6/11/08' DATE DATE	TITLE THROUGH HOLE EMI SFP CAGE ENHANCED FOR PCI			
ANGLES ± 0.5° 		SCALE : 1:1		DRAWING NO. CSFPFCAGE001-02-L /PART NO. SFPPCAGE001-02-L	SIZE A3	REV 3	DO NOT SCALE DRAWING SHEET 2 OF 2