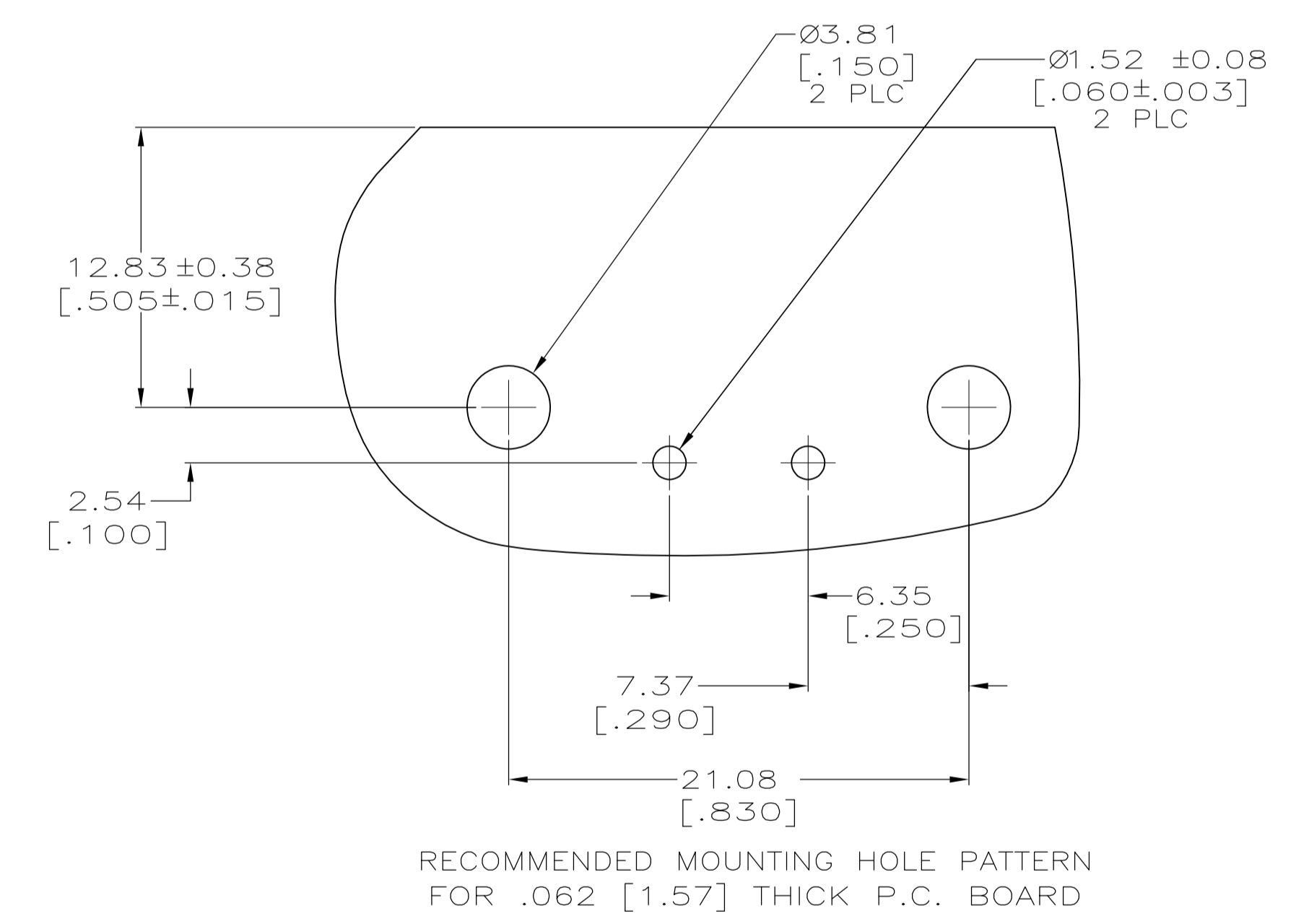
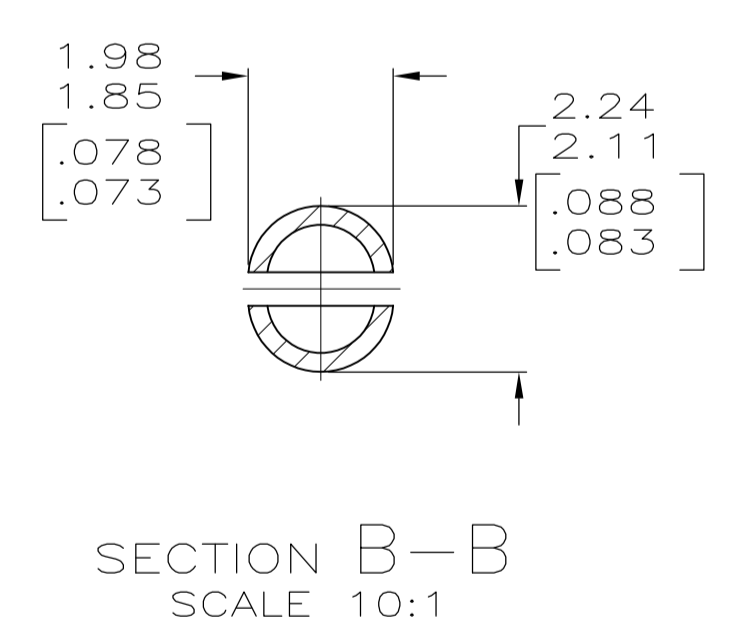
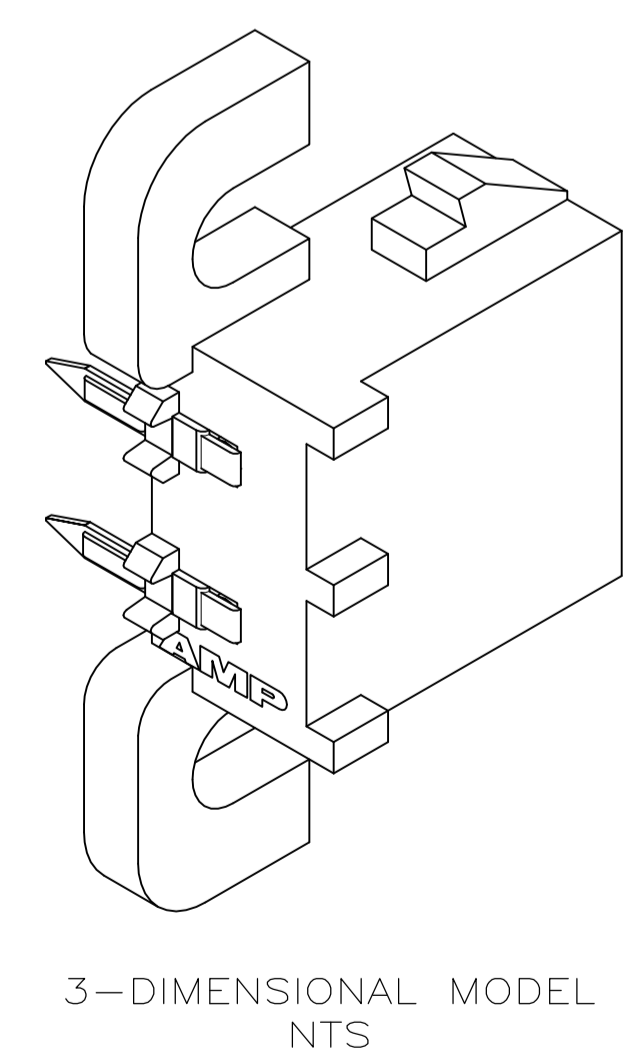
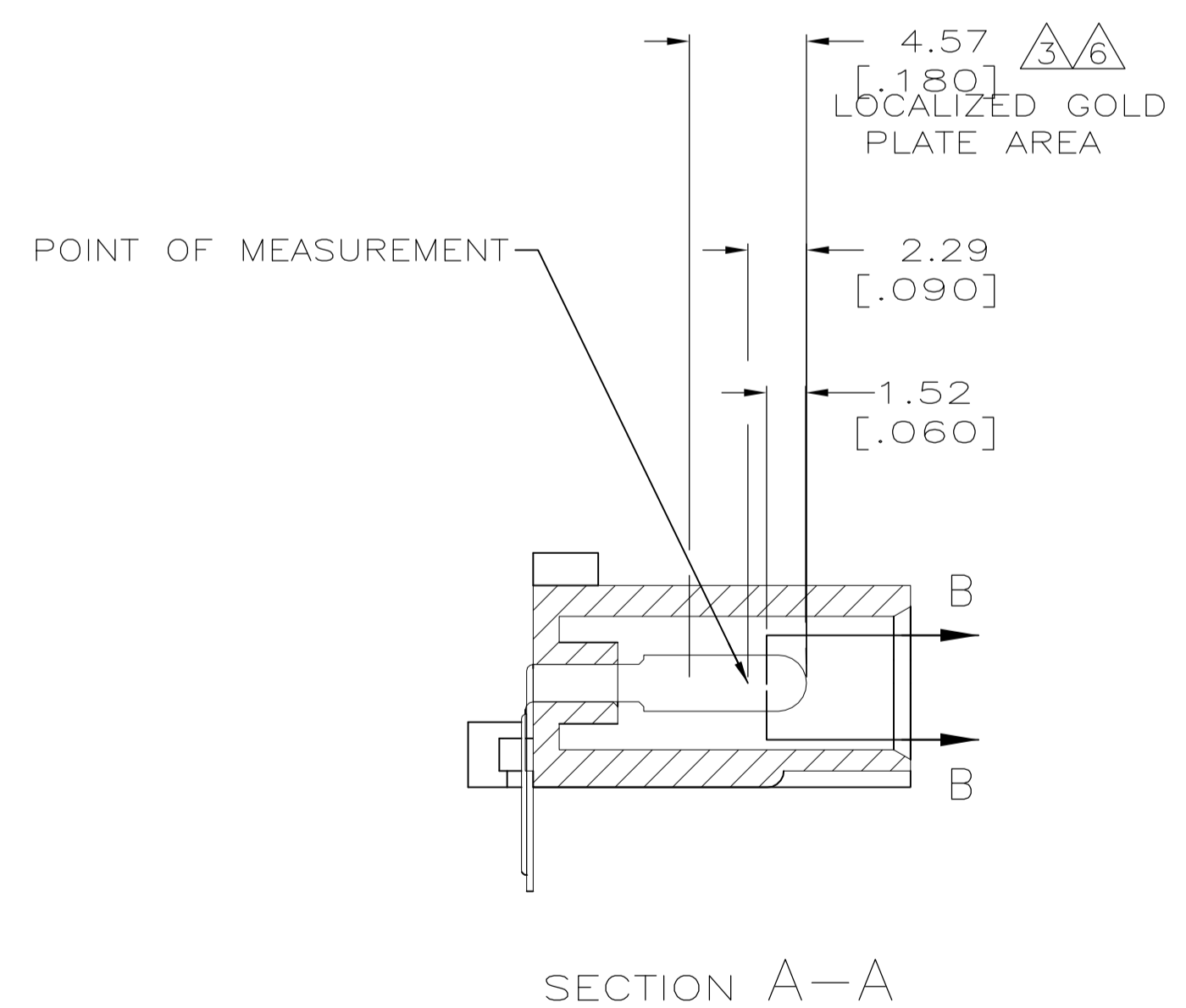
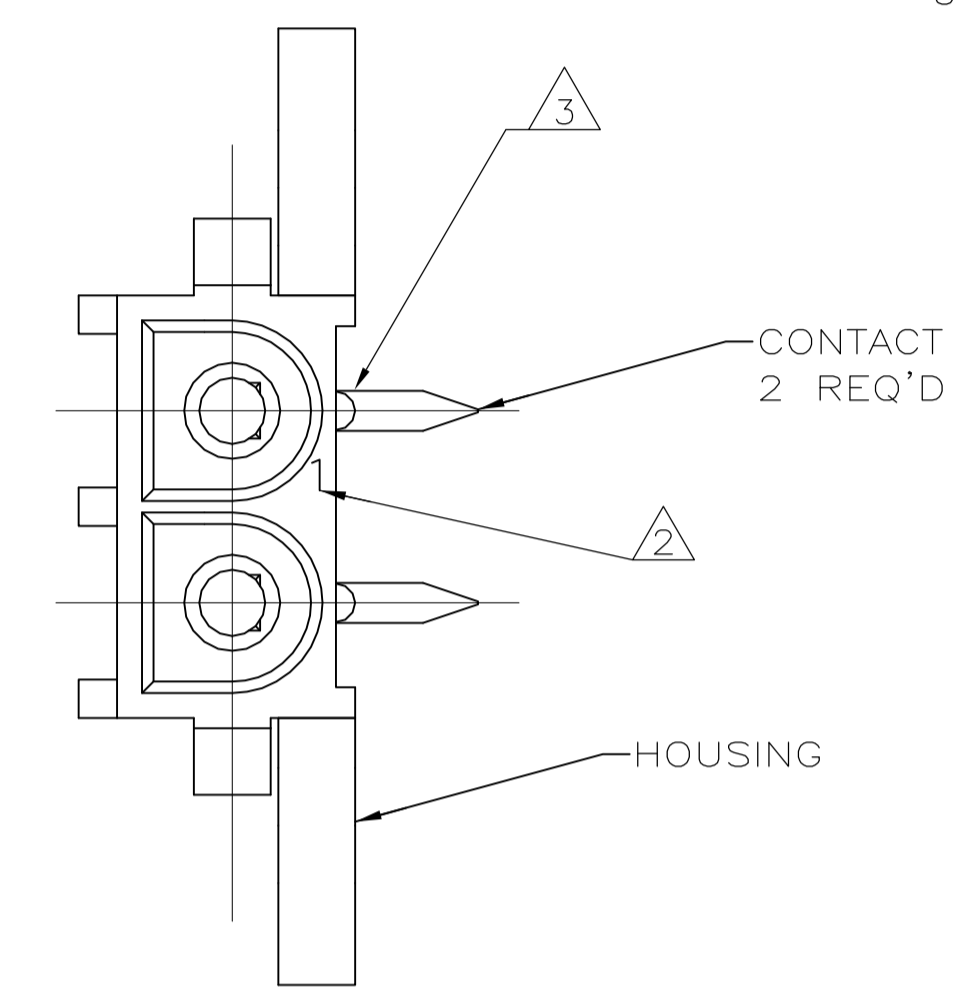
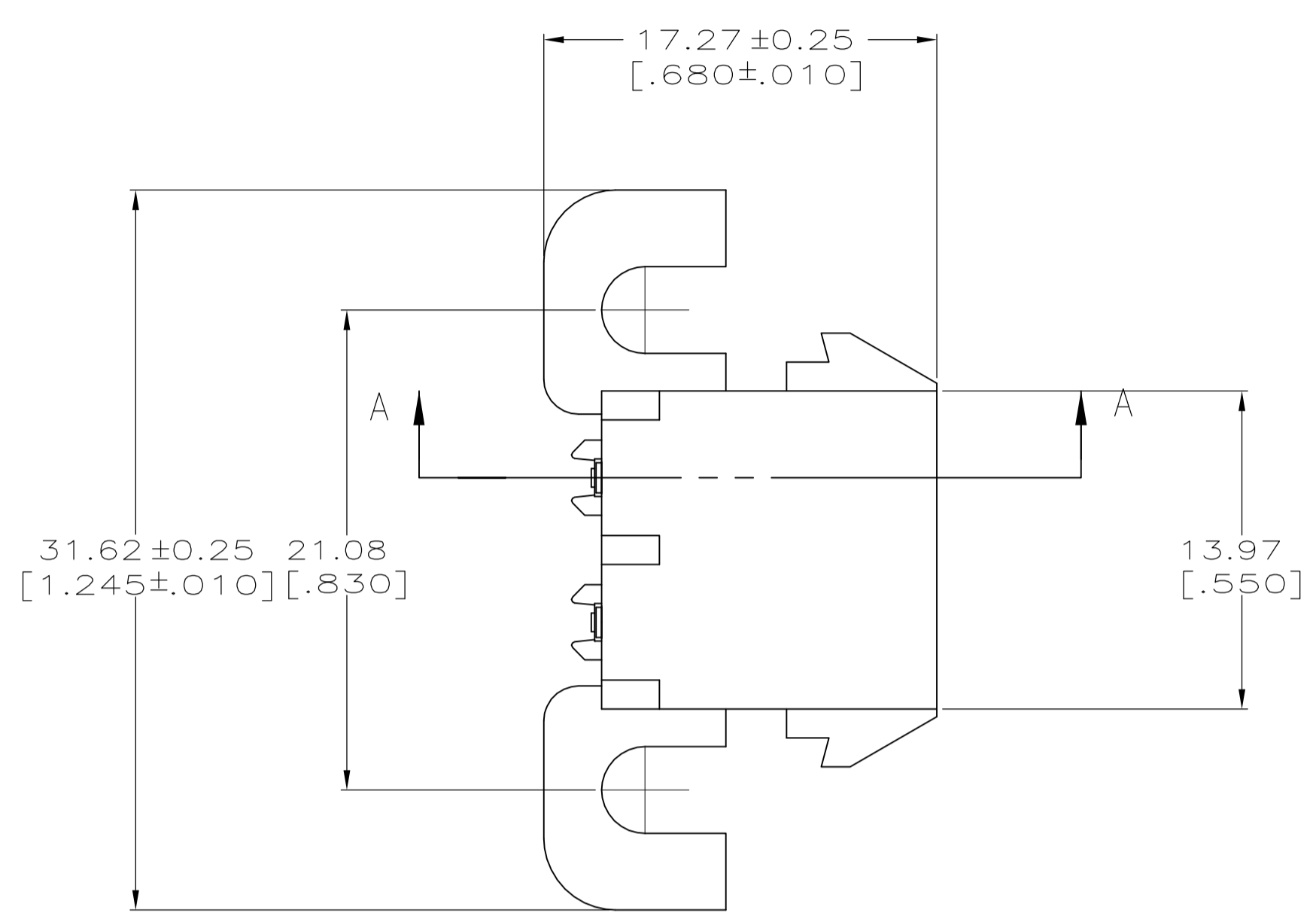
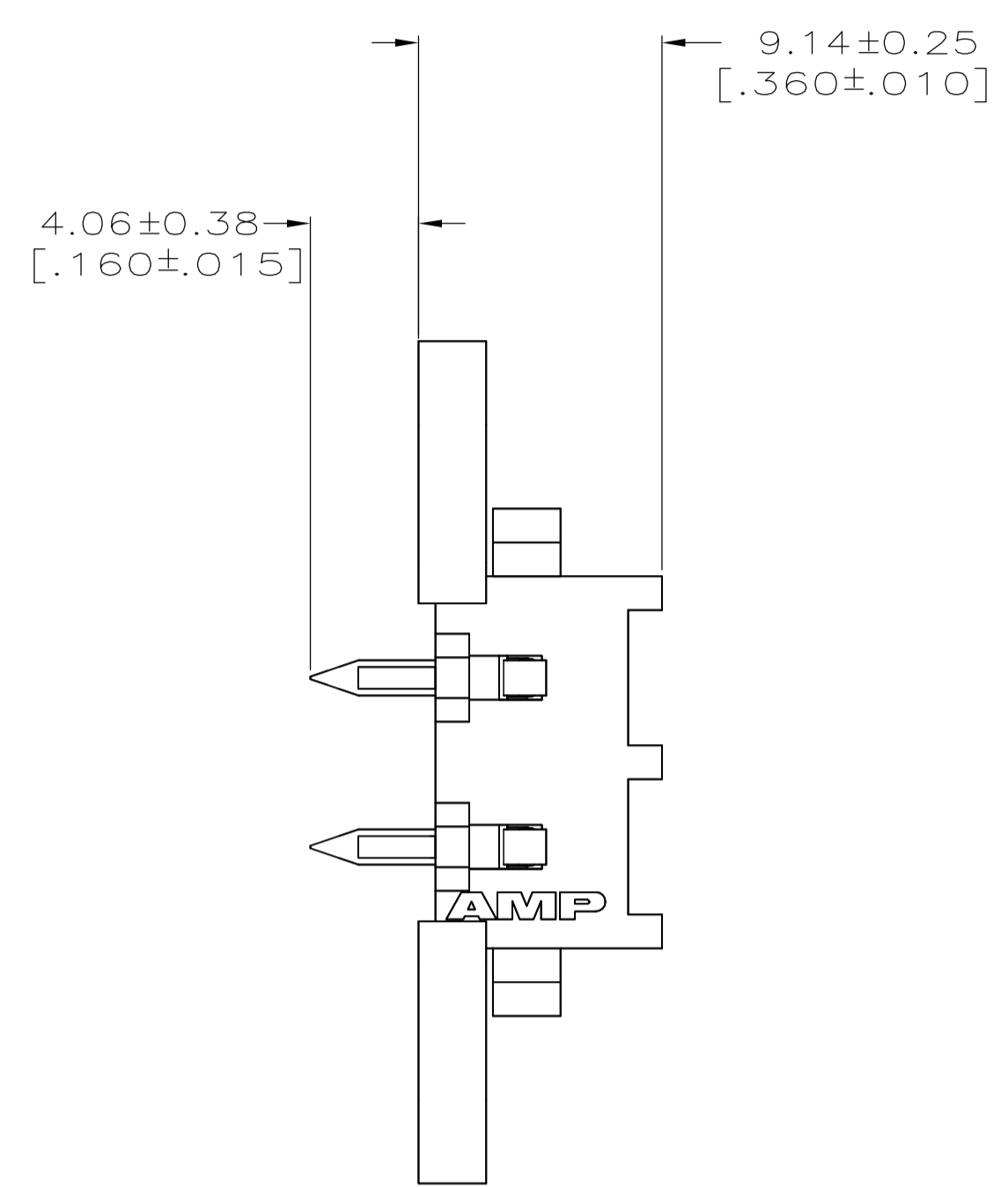


LOC		DIST		REVISIONS			
P	LTR	DESCRIPTION	DATE	DWN	APVD		
B		REV PER ECR 10-018921	13SEP110	JR	TM		

- PARTS COMPLY WITH AMP SOLDERABILITY SPECIFICATION 109-11-5.
- CIRCUIT IDENTIFICATION CHARACTERS ARE ADJACENT TO THE INDICATED CAVITIES, BUT LOCATION AND ORIENTATION MAY DIFFER FROM PRINT.
- OPTIONAL CONSTRUCTION MAY DELETE THIS RIB.
- DIMENSIONS IN BRACKETS ARE IN INCHES.
- FLAMMABILITY V2 FOR THICKNESS 0.38mm, 1.5mm, and 3.0mm PER IEC 60695-11-10.
- GLOW-WIRE FLAMMABILITY (GWFI) 800°C FOR THICKNESS 0.38mm AND 0.75mm PER IEC 60695-2-12.
- GLOW-WIRE FLAMMABILITY (GWFI) 960°C FOR THICKNESS 1.5mm AND 3.0mm PER IEC 60695-2-12.
- GLOW-WIRE IGNITION (GWIT) 825°C FOR THICKNESS 0.38mm, 0.75mm, 1.5mm AND 3.0mm PER IEC 60695-2-13.



METRIC

THIS DRAWING IS A CONTROLLED DOCUMENT.		DIN K WHITAKER 14MAR2008		Tyco Electronics Corporation	
DIMENSIONS: mm [INCHES]		CHK D COLEY 14MAR2008		Harrisburg, Pa 17105-3608	
TOLERANCES UNLESS OTHERWISE SPECIFIED:		APVD D COLEY 14MAR2008		NAME	
0 PLC ± -	1 PLC ± -	PRODUCT SPEC		PIN HEADER ASSEMBLY, RIGHT ANGLE MOUNT, 2 POSITION, UNIVERSAL MATE-N-LOK(TM)	
2 PLC ± -	3 PLC ± 0.13 [0.005]	APPLICATION SPEC		SIZE CASE CODE DRAWING NO	
4 PLC ± -	ANGLES ± -	WEIGHT		A1 00779 C=1586889	
MATERIAL SEE TABLE		FINISH SEE TABLE		RESTRICTED TO	
PH BRZ TIN		NYLON UL 94V-2		1586889-1	
CONTACT		HOUSING		PART NO	
CUSTOMER DRAWING		SCALE 4:1		SHEET 1 OF 1 REV B	