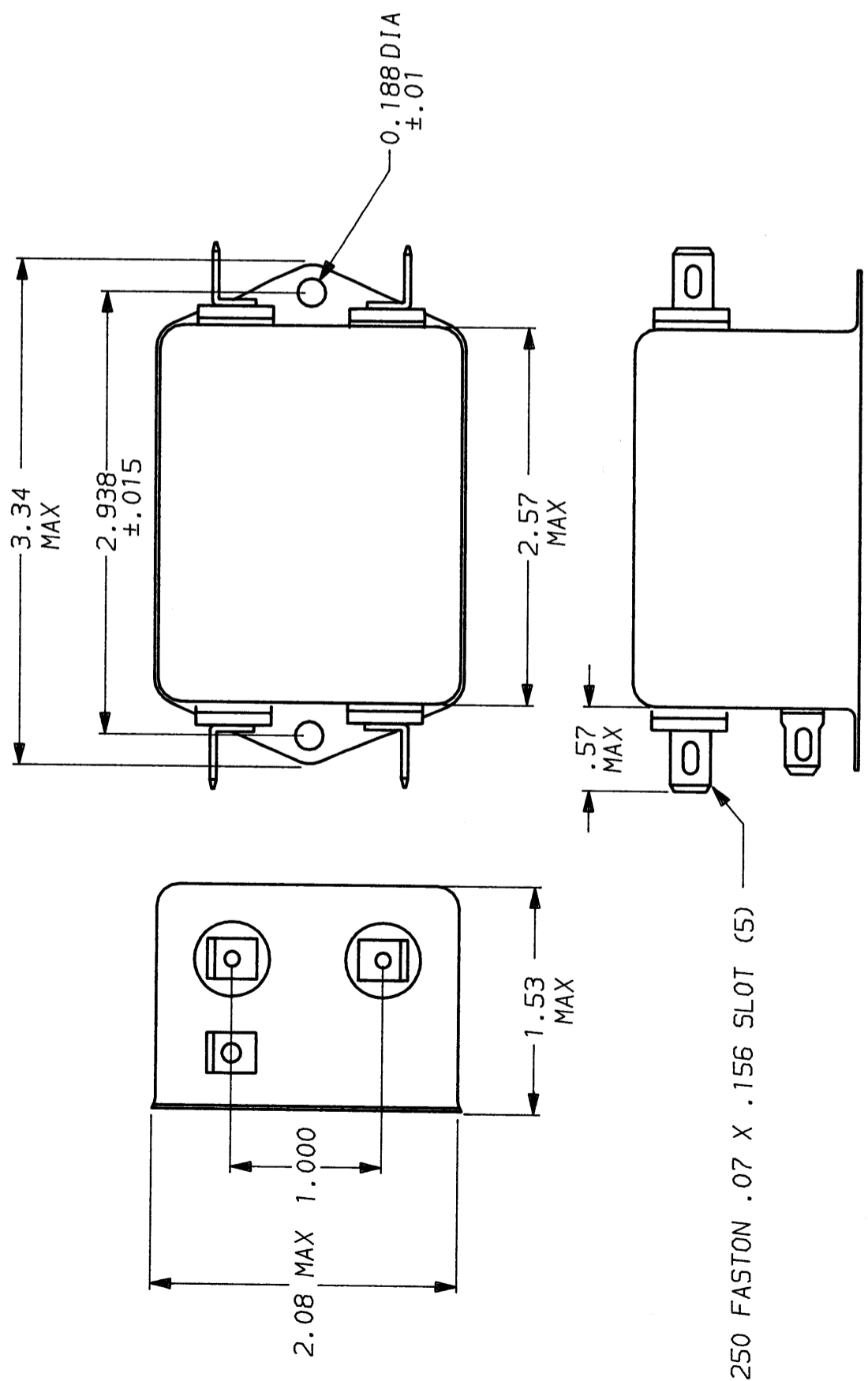


SAFETY ORGANIZATION(S):

THIS FILTER HAS BEEN FORMALLY RECOGNIZED, CERTIFIED OR APPROVED BY THE LISTED AGENCY. THEREFORE, ALL TEST/REQUIREMENTS SPECIFIED IN THE LATEST REVISION OF THE FOLLOWING AGENCY STANDARDS HAVE BEEN MET:

UL RECOGNIZED
 UL 1283



OPERATING SPECIFICATIONS:

- LINE VOLTAGE/CURRENT: 10 AMP., 120/250 VAC
- LINE FREQUENCY: 50-60Hz
- MAX. CASE RISE θ RATED CURRENT: 40°C
- MAX. LEAKAGE CURRENT, EACH LINE TO GROUND: 0.5mA at 120V 60 Hz, .83 mA at 250V 50 Hz
- OPERATING AMBIENT TEMP. RANGE: -10°C TO +40°C θ RATED CURRENT, I_r

IN AN AMBIENT, T_a , HIGHER THAN 40°C, THE MAXIMUM OPERATING CURRENT, I_o , IS AS FOLLOWS:

$$I_o = I_r \sqrt{\frac{85-T_a}{45}}$$

RELIABILITY SPECIFICATIONS:

- STORAGE TEMPERATURE: -40°C TO +85°C
- HUMIDITY: 21 DAYS θ 40°C 95% RH
- CURRENT OVERLOAD TEST: 6 TIMES RATED CURRENT FOR 8 SECONDS

TEST SPECIFICATIONS:

- INDUCTANCE: 1.25 mH NOMINAL
- CAPACITANCE: (MEASURED θ 1 KHz, 0.25 VAC MAX., 25°C \pm 1°C)
 LINE TO GROUND: .011 μ F \pm 20%
 LINE TO LINE: .813 μ F \pm 20%
- DISCHARGE RESISTOR: 330 K Ω
- LINE/GROUND AND LINE/LINE INSULATION RESISTANCE: 6000 M Ω (MIN) AT 100 VDC
- (W/O DISCHARGE RESISTOR) 20°C AND 50% RH

RECOMMENDED RECEIVING INSPECTION HIPOUT:

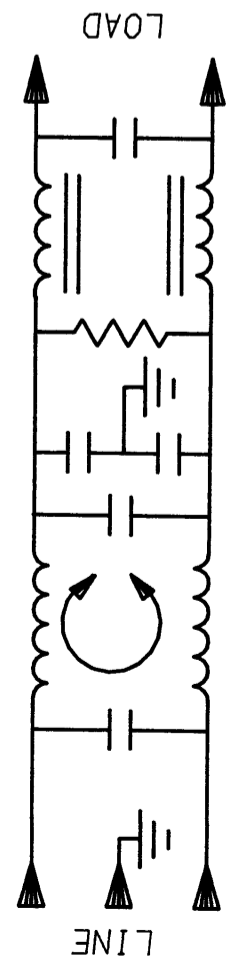
- LINES TO GROUND: 2250 VDC FOR 1 MINUTE
- LINE TO LINE: 1450 VDC FOR 1 MINUTE

FILTER APPROVAL:

THE BEST WAY TO SELECT AND QUALIFY A FILTER IS FOR YOUR ENGINEERING TO TEST THE UNIT IN YOUR EQUIPMENT.

50 Ω - 50 Ω (MINIMUM) INSERTION LOSS									
FREQUENCY MHz	.15	.5	1	2	5	10	20	30	
COMMON dB	17	30	43	47	55	65	56	48	
DIFF. dB	25	65	65	65	65	60	55	55	

This document is proprietary to CORCOM INC. and is not to be reproduced nor used for manufacturing purposes except on CORCOM's order or prior written consent.



TOLERANCE EXCEPT AS NOTED

- DECIMAL: .XXX .XX .X ANGLES \pm 1°
- ENGLISH: \pm .025
- METRIC: \pm —

MATERIAL:

AS SUPPLIED

FINISH:

AS SUPPLIED

CORCOM
 LIBERTYVILLE, IL 60048
POWER LINE FILTER

SCALE	DATE	DRG. NO.	REV.
NTS	7-31-90	10V1.03	
DRN. BY	ORIGINATOR		
CFW	CFW		