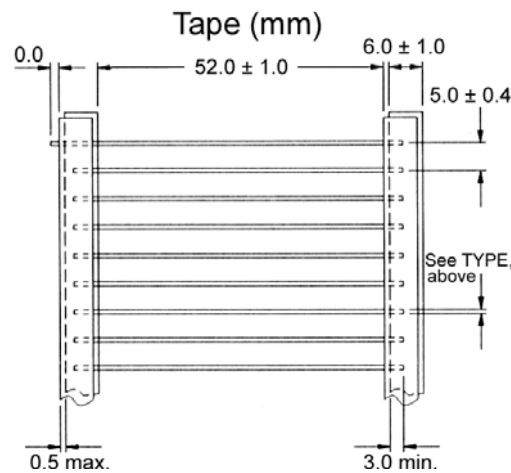


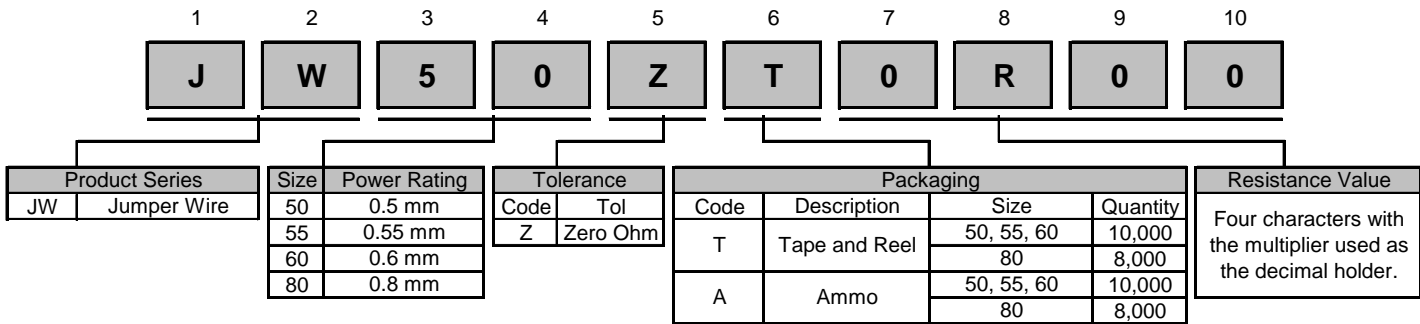
- Features:
- Ideal for crossovers or jumpers on circuit boards
 - High current ratings
 - Standard JW is copper plated steel, with 100% tin overplate
 - 100% tin plate on copper wire is available as type JWQ
 - RoHS compliant / lead free

Electrical & Mechanical Specification				
Type	Gauge References	Maximum Current	Diameter	Unit
JW50 R	24	3 Amp	0.02 ± 0.001 0.5 ± 0.02	inches mm
JW55 R	23	3 Amp	0.022 ± 0.001 0.55 ± 0.03	inches mm
JW60 R	22	3 Amp	0.024 ± 0.001 0.6 ± 0.03	inches mm
JW80 R	20	4 Amp	0.031 ± 0.001 0.8 ± 0.05	inches mm



Performance Characteristics	
Coating Thickness	5u ± 2u
Bending	7.1 0.4mm - below 0.6mm - 250g 7.2 0.6mm - below 1 - 500g
Heat Reliability	8.1 Sn 100%: Heat 195°C ± 5°C / 1 hour
Humidity	40°C / 90 - 95RH / 72 hours
Solderability	235°C ± 5°C / 3 seconds

How to Order



Legacy Part Number (before January 3, 2011):

SEI Type		Code		Nominal Resistance	Packaging			
JW		50		0	R			
Type	Description	Code	Diameter		Types	Qty	Description	Code
JW	Jumper Wire	50	0.5 mm		50, 55, 60	10,000	Reel	R
		55	0.55 mm		80	8,000		
		60	0.6 mm		50, 55, 60	10,000	Ammo	T
		80	0.8 mm		80	8,000		