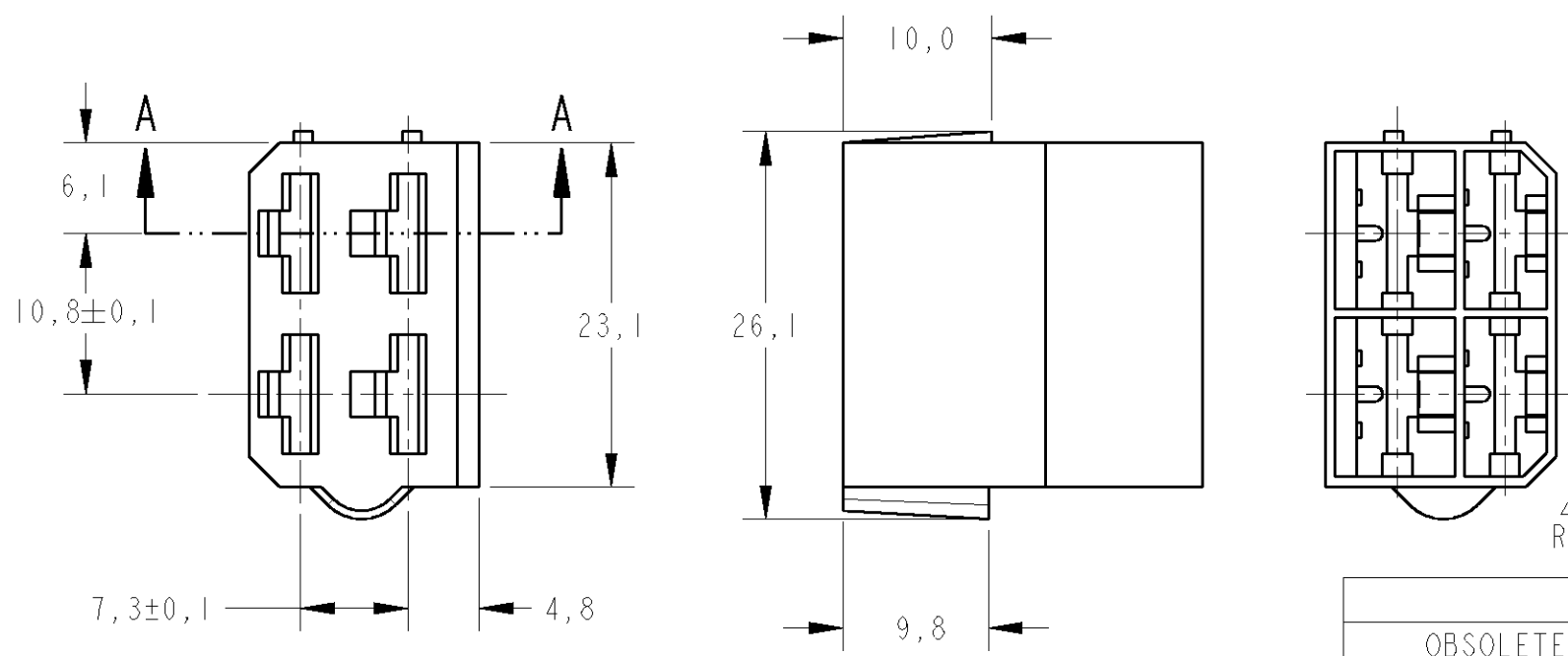


THIS DRAWING IS UNPUBLISHED. RELEASED FOR PUBLICATION 20
 © COPYRIGHT 20 BY TYCO ELECTRONICS CORPORATION. ALL RIGHTS RESERVED.

LOC	DIST	REVISIONS			
P	LTR	DESCRIPTION	DATE	DWN	APVD
AP	-				
	E	REDRAWING WO CHANGE BY EC498/99	07DEC99	MRB	PLF
	F	REVISED BY LE10-0051/05	13APR2005	H.C	WLS
	F1	REVISED PER ECO-10-000445	09JAN10	KK	AEG

CAD
 Pro-E
 DO NOT REVISE
 EXCEPT BY CAD



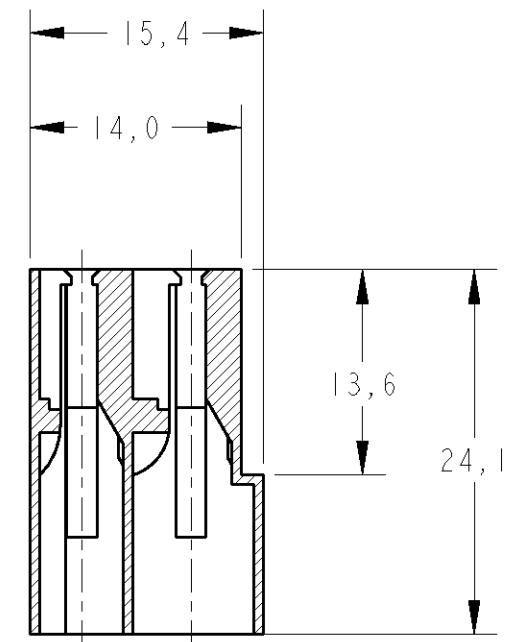
1 - ESPESSURA DE PAREDES
 NAO ESPECIFICADAS 0,6.
 - ALL UNSPECIFIED WALL THICKNESSES.
 2 - INTERCAMBIÁVEL COM PN.180900.
 - INTERCHANGEABLE WITH.

3 - MATÉRIA PRIMA CONFORME ESPECIFICAÇÃO IEC 60335-1, GWT 750°C, SEM CHAMA.
 RAW MATERIAL ACC. TO SPEC. IEC 60335-1, GWT 750°C, WITHOUT FLAME.

4 OBSOLETE PARTS: OBSOLETE CIS STREAMLINING PER
 D.RENAUD/D.SINISI

	NATURAL	3 NYLON 6.6 V-0	
OBSOLETE	VIOLETA TINGIDO / DYED VIOLET		1 - 880110 - 8
OBSOLETE	CINZA TINGIDO / DYED GRAY		1 - 880110 - 7
OBSOLETE	MARROM TINGIDO / DYED BROWN		1 - 880110 - 6
OBSOLETE	PRETO TINGIDO / DYED BLACK		1 - 880110 - 5
OBSOLETE	AMARELO TINGIDO / DYED YELLOW		1 - 880110 - 4
OBSOLETE	AZUL TINGIDO / DYED BLUE		1 - 880110 - 3
OBSOLETE	VERDE TINGIDO / DYED GREEN		1 - 880110 - 2
OBSOLETE	VERMELHO TINGIDO / DYED RED		1 - 880110 - 1
	CINZA ESCURO / DARK GRAY		1 - 880110 - 0
	LARANJA / ORANGE		880110 - 9
	VIOLETA / VIOLET		880110 - 8
	CINZA / GRAY		880110 - 7
	MARROM / BROWN		880110 - 6
	PRETO / BLACK		880110 - 5
	AMARELO / YELLOW		880110 - 4
	AZUL / BLUE		880110 - 3
	VERDE / GREEN		880110 - 2
	VERMELHO / RED		880110 - 1
	NATURAL / NATURAL	NYLON 6.6	880110 - 0
	COLOR	MATERIAL	PART NUMBER

4
 OBSOLETE



THIS DRAWING IS A CONTROLLED DOCUMENT FOR TYCO ELECTRONICS CORPORATION IT IS SUBJECT TO CHANGE AND THE CONTROLLING ENGINEERING ORGANIZATION SHOULD BE CONTACTED FOR THE LATEST REVISION.		DWN M.R.BRIZ 19NOV99 CHK P.L.FARIA - APVD F.ALEXANDRONI - PRODUCT SPEC - APPLICATION SPEC - WEIGHT -	tyco Electronics Tyco Electronics SÃO PAULO - BRASIL
DIMENSIONS: mm 	TOLERANCES UNLESS OTHERWISE SPECIFIED: 0 PLC ±- 1 PLC ±0,5 2 PLC ±- 3 PLC ±- 4 PLC ±- ANGLES ±1° FINISH -	NAME HSG. 4 POSITION, FAST-IN-ON RCPT. SIZE A3 CAGE CODE 00779 DRAWING NO C=880110	RESTRICTED TO - SCALE - SHEET OF REV F1
MATERIAL SEE TABLE		CUSTOMER DRAWING	