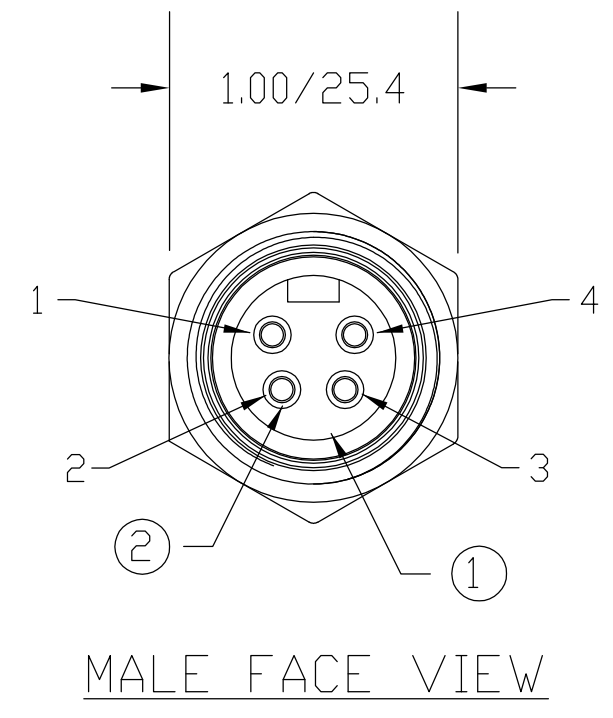
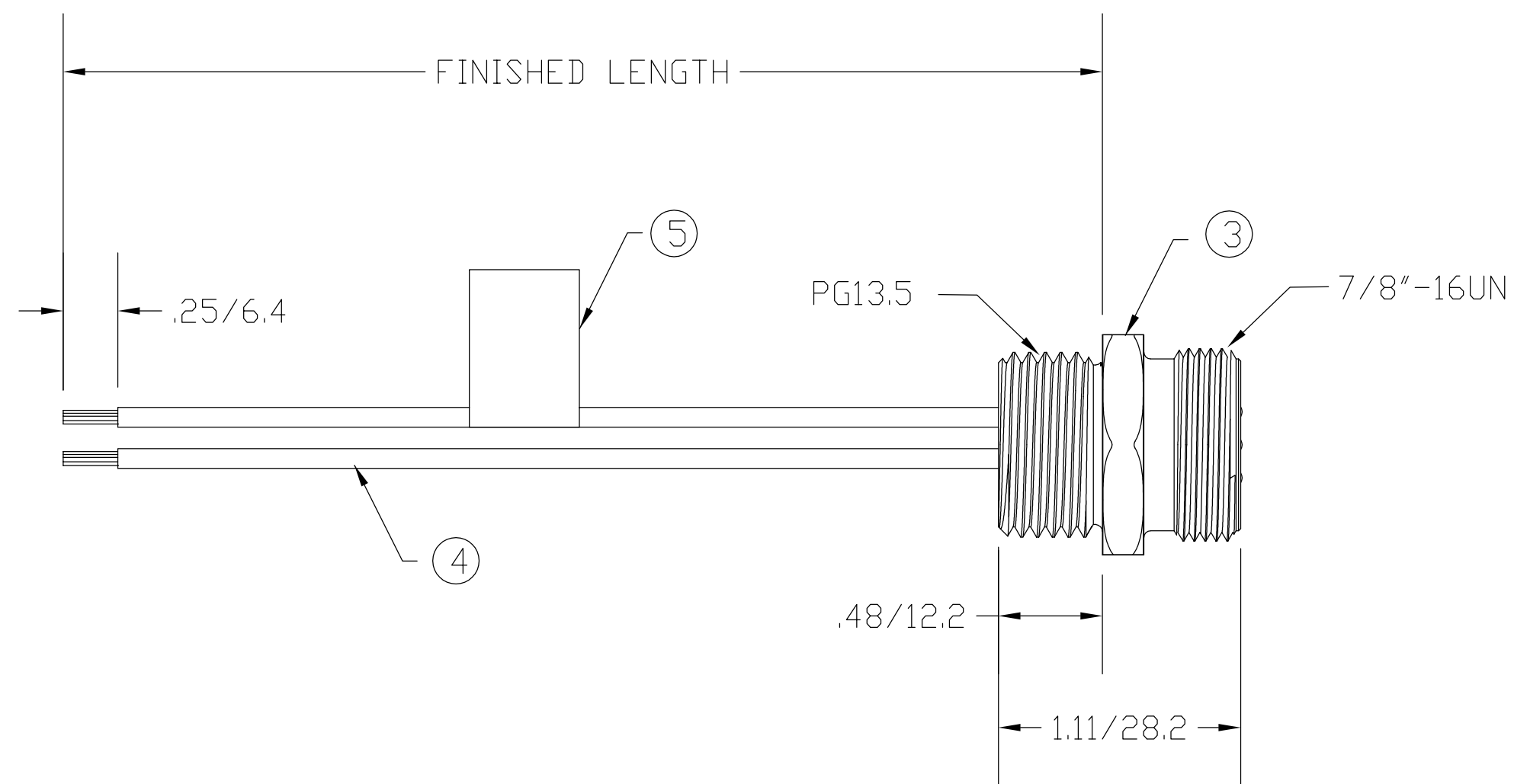
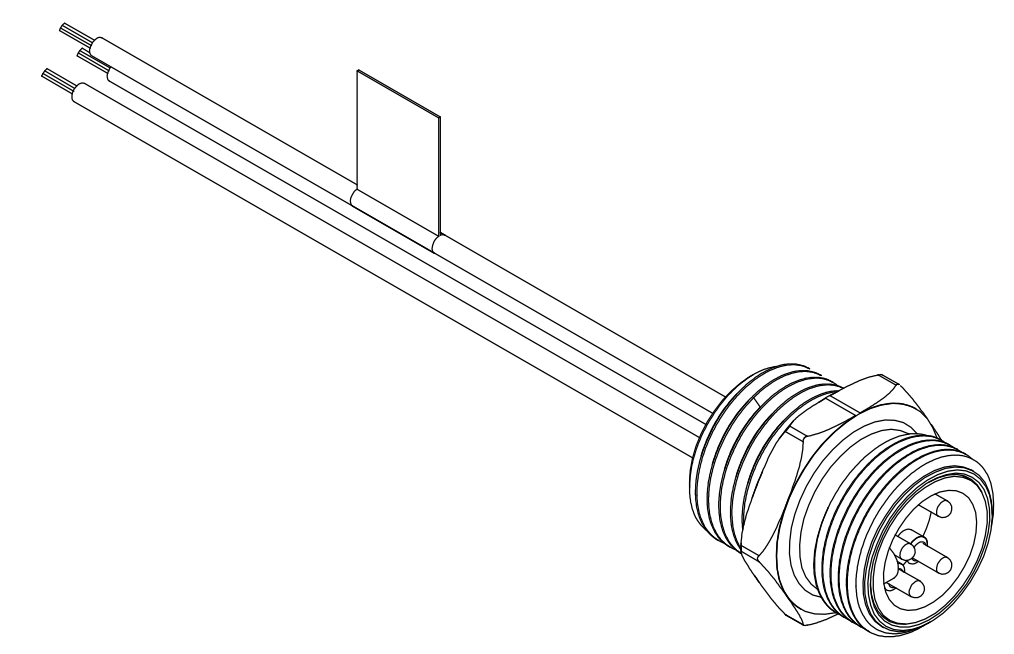
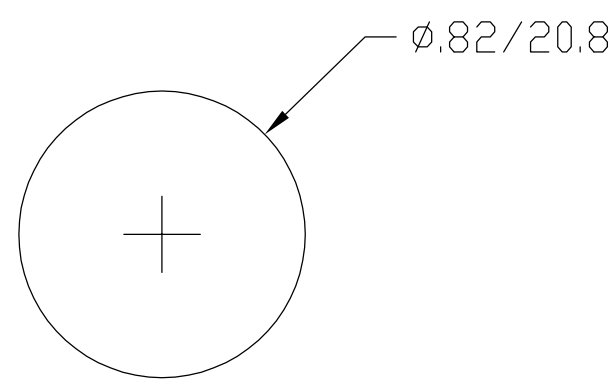


MATERIAL NUMBER	OLD PART NUMBER	FINISHED LENGTH
130013-0396	1R4D06A16A120	12.00" +.75" -0 [3M +19.1 -0]
130013-0399	1R4D06A16M010	3.28' +2.19" -0 [1.0M +55.6 -0]
130013-0398	1R4D06A16F060	6.00' +2.19" -0 [1.8M +55.6 -0]
130013-0401	1R4D06A16M050	16.42' +6.50" -0 [5.0M +165.1 -0]



1	BLACK
2	BLUE
3	BROWN
4	WHITE

WIRING DIAGRAM



KNOCKOUT HOLE

VOLTAGE RATING	300 VAC/VDC
AMPERAGE RATING	5.6 AMPS
PROTECTION	IP67
OPERATING TEMPERATURE	-20°C TO 105°C
CSA CERTIFICATIONS	CSA CERTIFIED, FILE NO. LR6837

ITEM	COMPONENT	MATERIAL	FINISH
1	INSERT	PVC	YELLOW
2	CONTACT PIN	COPPER ALLOY	GOLD OVER NICKEL
3	RECEPTACLE SHELL	ZINC DIE CAST	BLACK E-COATED
4	CONDUCTOR - 18 AWG, 16 x #30 COPPER STRANDING, 600V	PVC	SEE WIRING DIAGRAM
5	FLAG LABEL	PLASTIC FILM	BLACK/YELLOW

RLSO DRAWING EC NO: WNA2009-0849 DRWN: BWOODMAN 6/18/09 CH'KD: JM APPR: JFMURPHY 2009/07/08	QUALITY SYMBOL	GENERAL TOLERANCES (UNLESS SPECIFIED)	DIMENSION STYLE	SCALE	DESIGN UNITS	THIRD ANGLE PROJECTION														
	$\nabla=0$ $\sphericalangle=0$	<table border="1"> <tr><th></th><th>mm</th><th>INCH</th></tr> <tr><td>4 PLACES</td><td>±----</td><td>±----</td></tr> <tr><td>3 PLACES</td><td>±----</td><td>±----</td></tr> <tr><td>2 PLACES</td><td>±----</td><td>±.01</td></tr> <tr><td>1 PLACE</td><td>±0.3</td><td>±----</td></tr> </table>		mm	INCH		4 PLACES	±----	±----	3 PLACES	±----	±----	2 PLACES	±----	±.01	1 PLACE	±0.3	±----	IN/MM	----
		mm	INCH																	
	4 PLACES	±----	±----																	
3 PLACES	±----	±----																		
2 PLACES	±----	±.01																		
1 PLACE	±0.3	±----																		
DESCRIPTION	ANGULAR ±----°	DRAFT WHERE APPLICABLE MUST REMAIN WITHIN DIMENSIONS	DRAWN BY: BW DATE: 2009/06/18 CHECKED BY: LH DATE: 2009/06/18 APPROVED BY: DATE:	TITLE: MINI-CHANGE RECEPTACLE 4 POLE MALE PG13.5 IEC COLOR CODE MOLEX INCORPORATED																
REV			MATERIAL NO. SEE CHART SIZE C	DOCUMENT NO. SD-130013-006 SHEET NO. 1 OF 1	THIS DRAWING CONTAINS INFORMATION THAT IS PROPRIETARY TO MOLEX INCORPORATED AND SHOULD NOT BE USED WITHOUT WRITTEN PERMISSION															