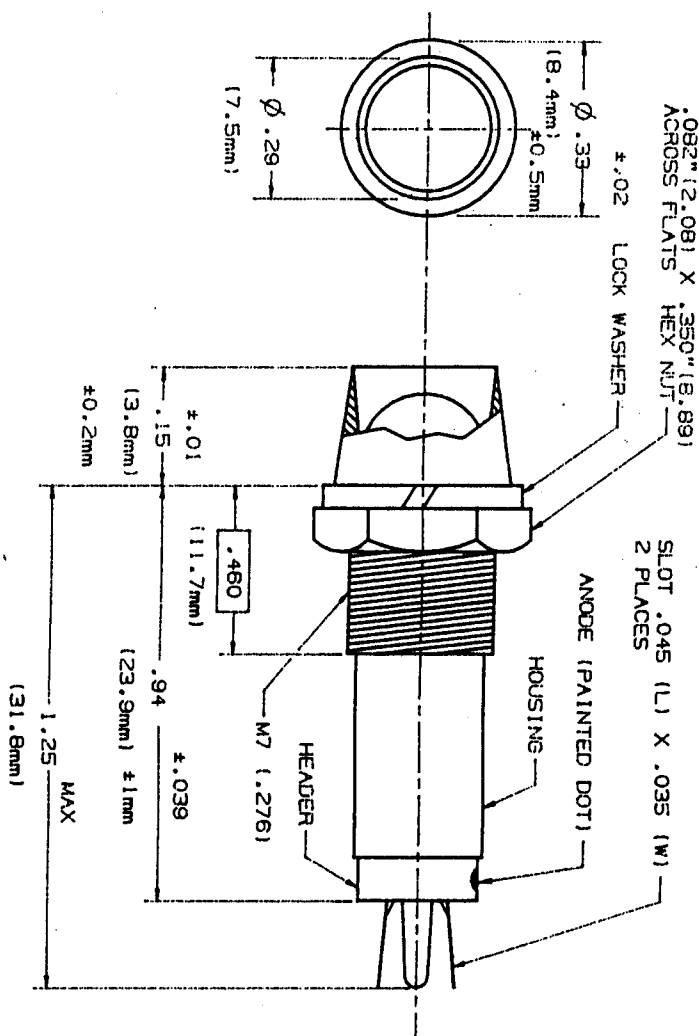


NOTES:

1. MOUNTING HOLE SIZE: $\phi 7.3\text{mm}$ (1.287)
2. MAXIMUM PANEL THICKNESS: 6mm (1.236)
3. MATERIALS:
 - 3.1. METAL HOUSING: BRASS, BRIGHT CHROME PLATED.
 - 3.2. MOUNTING HEX NUT: BRASS, NICKEL PLATED.
 - 3.3. SPLIT LOCK WASHER: STEEL, NICKEL PLATED.
 - 3.4. HEADER/INSULATOR: POLYCARBONATE, COLOR: BLACK.
4. SOLDERABILITY: PER ANSI/JPC-S-805, METHOD A.

COLOR	PEAK WAVE LENGTH λ_p (nm)	RECOMMENDED OPERATING CURRENT (mA)	ABSOLUTE MAXIMUM RATINGS			ELECTRO-OPTICAL CHARACTERISTICS									
			I_f (mA)	I_{fM} (mA)	V_f (V)	Top (C)	T_{stg} (C)	V_f (V) STD MAX	I_f (mA) MAX	I_f (mA) (95% BRIGHTNESS CLIMAX) MIN STD					
RED	630	15	30	100	3	-30	-30	1.90	2.5	10	3	3	10	20	
GREEN	560	15	30	100	3	-30	-30	1.98	2.5	10	50	3	3	10	20
YELLOW	597	15	30	100	3	-30	-30	1.98	2.5	10	50	3	1.2	1.6	10



DIALIGHT ASSEMBLY NO.	REVISION			LED COLOR	OPERATING VOLTAGE (SEE TABLE)
	LTR	DATE	APP		
607-2112-120	-A-	12JUN91	JT	RED	6 VOLT
-2212-120	↕	↕	↕	GREEN	6 VOLT
-2312-120	↕	↕	↕	YELLOW	6 VOLT
-2112-130	↕	↕	↕	RED	12 VOLT
-2212-130	↕	↕	↕	GREEN	12 VOLT
607-2312-130	-A-	12JUN91	JT	YELLOW	12 VOLT

PLOT DATE: 12JUN91
 CAD FILE: 607-2112-120

SCALE	DRAWN	DATE	PART NUMBER	REV
NONE	TSCH	ZOLANBT	607-2X12-1X0	SEE
REV	CHK'D	DATE		CHART
	TSCH	TMAABT		

C-15582
 83330

DIALIGHT CORPORATION
 373 Atlantic Ave.
 Monroeville, PA 15146