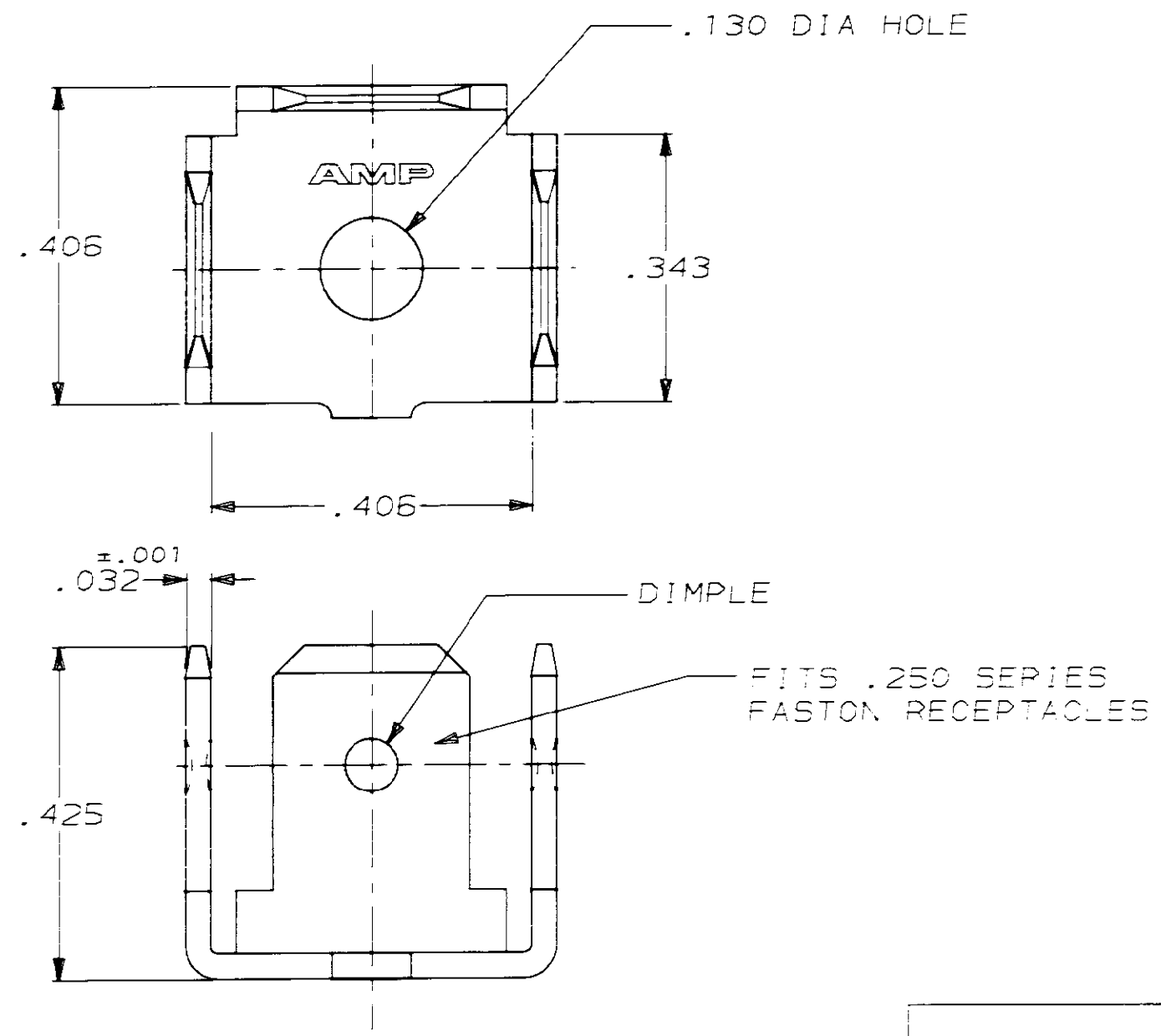


THIS DRAWING IS UNPUBLISHED. RELEASED FOR PUBLICATION .19  
 © COPYRIGHT 19 BY AMP INCORPORATED. ALL INTERNATIONAL RIGHTS RESERVED.

LOC	DIST	P	F	REVISIONS			DATE	APPD
AF	50			ZONE	LTR	DESCRIPTION		
					C	REDRAWN AF-7757	12/30/91	JR



1 TO BE SUPPLIED IN LOOSE PIECE.

62261-1  
 PART NO

DO NOT SCALE PRINT. UNLESS SPECIFIED DIMENSIONS ARE IN INCHES TOLERANCES ON: 2 PLC DEC = .015 3 PLC DEC = - ANGLES = 1°	DR 12/30/91 JR RUTH	<b>AMP</b> AMP Incorporated harrisburg, PA 17105-3608		
	CHK 12/30/91 MS FEHER			
MATERIAL 082 BRASS	APPD 12/30/91 C MEYERS	NAME TAB, FASTON, .250 SERIES		
	APPD 12/30/91 D REJNER	PRODUCT SPEC -		
FINISH -	APPLICATION SPEC -	SIZE B	CAGE CODE 00779	DRAWING NO 62261
	WEIGHT -	SCALE 5:1	SHEET 1 OF 1	