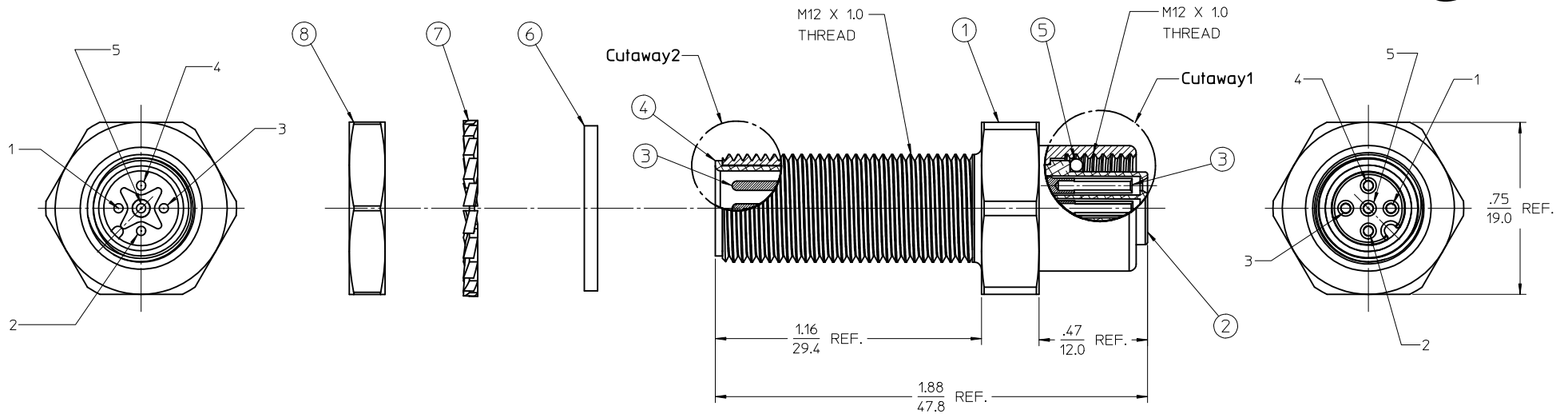
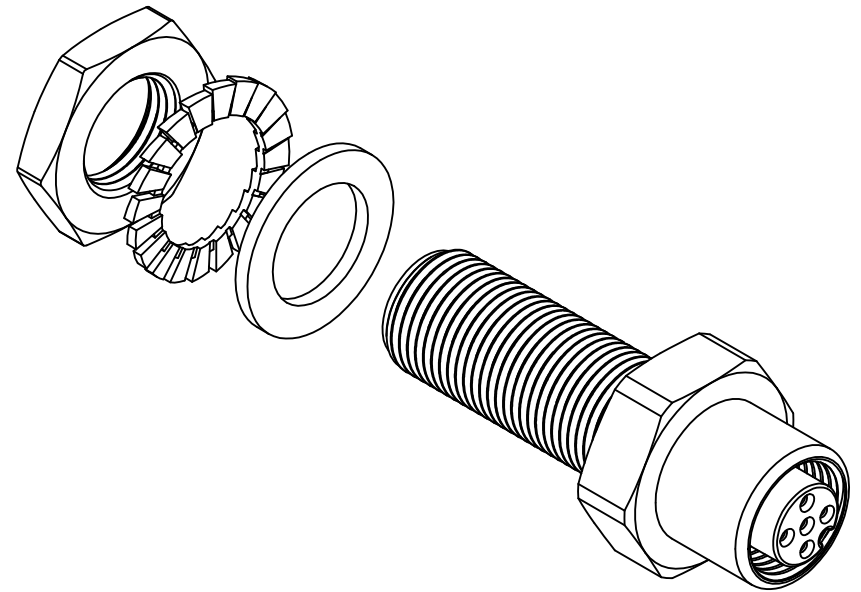


NOTES:

- 1. MATERIAL: SEE TABLE
- 2. FINISHES: SEE TABLE
- 3. PACKAGING: PACKED IN POLY BAG WITH BARCODE LABEL
- 5. MATES WITH: MIC 5/C CABLE
- 6. ELECTRICAL SPECIFICATIONS:
 VOLTAGE RATING: 30VAC, 36 VDC
 CURRENT RATING: 4.0 AMPS



WIRING DIAGRAM



8	1	HEXNUT	BRASS	NICKEL
7	1	LOCKWASHER	STEEL	ZINC PLATED
6	1	WASHER	RUBBER	BLACK
5	1	O-RING	VITON	RED
4	5	CONTACT, PIN/SOCKET	Cu ALLOY	GOLD PLATED
3	1	INSERT, MALE, 5/C	NYLON	BLACK
2	1	INSERT, FEMALE, 5/C	NYLON	BLACK
1	1	RECEPTACLE SHELL	BRASS	NICKEL PLATED
ITEM	QTY.	DESCRIPTION	MATERIAL	FINISH

RELEASED	EC NO: MNA2010-0402	2010/01/05
DRWINRSTONE	2010/01/07	
CHKD:B.WOODMAN	2010/01/07	
APPR:J.MURPHY	2010/01/07	
REV	DESCRIPTION	QUALITY SYMBOLS
A		▽=0
		▽=0

GENERAL TOLERANCES (UNLESS SPECIFIED)		
	mm	
	INCH	
4 PLACES	± .005	± .0005
3 PLACES	± .005	± .0005
2 PLACES	± .010	± .0010
1 PLACE	± .030	± .0030
ANGULAR ±1/2°		
DRAFT WHERE APPLICABLE MUST REMAIN WITHIN DIMENSIONS		

DIMENSION STYLE	
IN/MM	
DRAWN BY	DATE
R.STONE	2009/12/30
CHECKED BY	DATE
B.WOODMAN	2010/01/06
APPROVED BY	DATE
J.MURPHY	2010/01/08
MATERIAL NO.	
848549300	
SIZE	
C	

SCALE	DESIGN UNITS	THIRD ANGLE PROJECTION
3:1	INCH	☉
TITLE		
MIC BULKHEAD 5C MALE/FEMALE		
MOLEX INCORPORATED		SHEET NO.
DOCUMENT NO. SD-84854-025		1 OF 1
THIS DRAWING CONTAINS INFORMATION THAT IS PROPRIETARY TO MOLEX INCORPORATED AND SHOULD NOT BE USED WITHOUT WRITTEN PERMISSION		