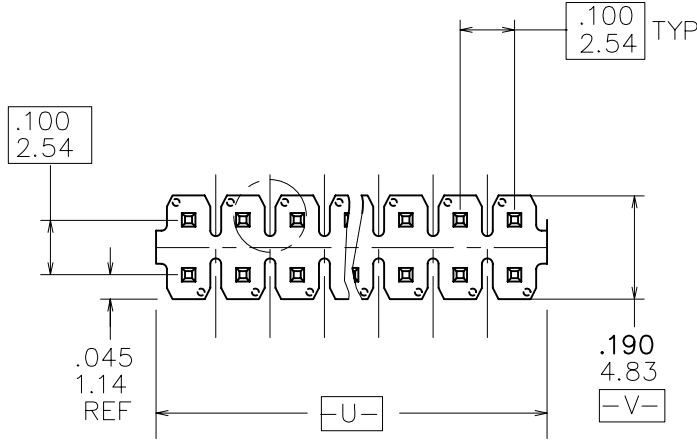
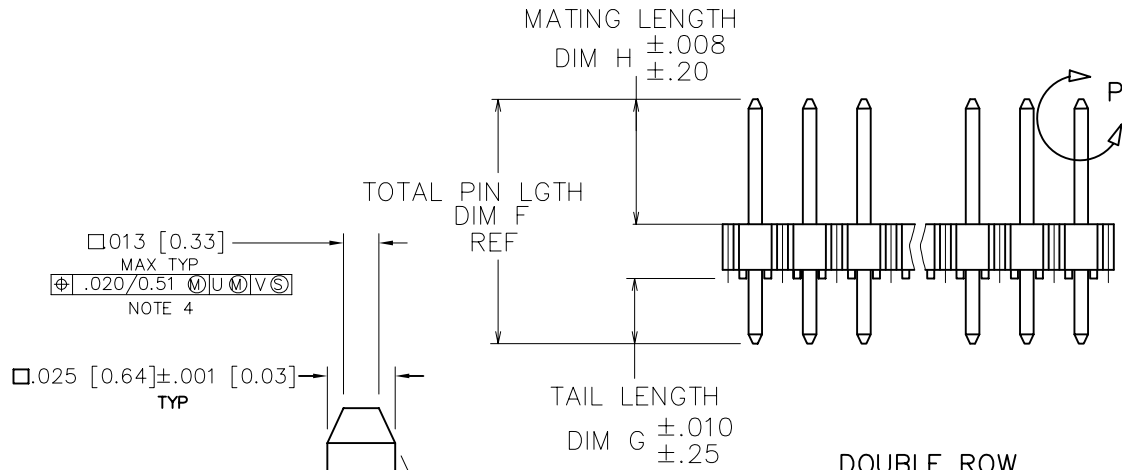


PRODUCT NUMBER
10063545-XXX HPLF

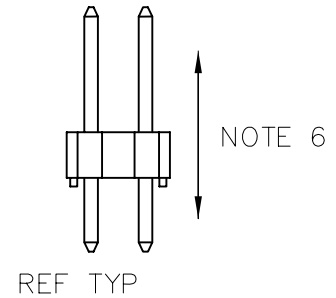
- LEAD FREE OPTION NOTE 12
- SPECIAL OPTION SEE NOTE 3
- HIGH TEMPERATURE PLASTIC
SEE NOTE 1
- NO OF POSITIONS
SEE NOTE 3
- PIN PLATING
SEE SHEET 2
- BASE PART NO.



DOUBLE ROW TOP VIEW



DOUBLE ROW SIDE VIEW



DOUBLE ROW END VIEW

□.013 [0.33]
MAX TYP
⊕.020/0.51 (M)U(V)S
NOTE 4

□.025 [0.64]±.001 [0.03]
TYP

DETAIL P
SCALE 5:1
TYP BOTH ENDS

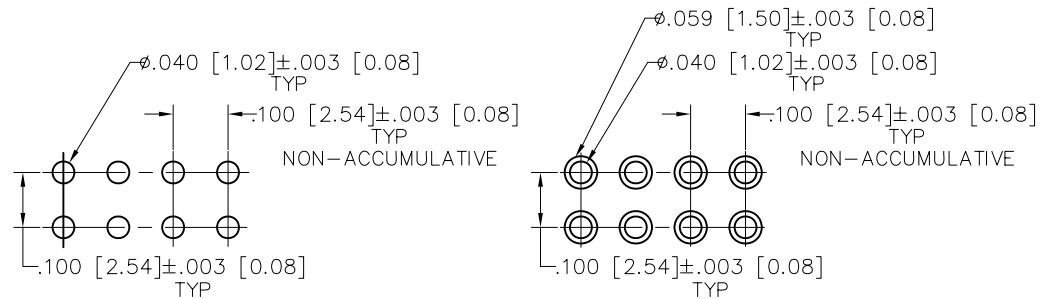
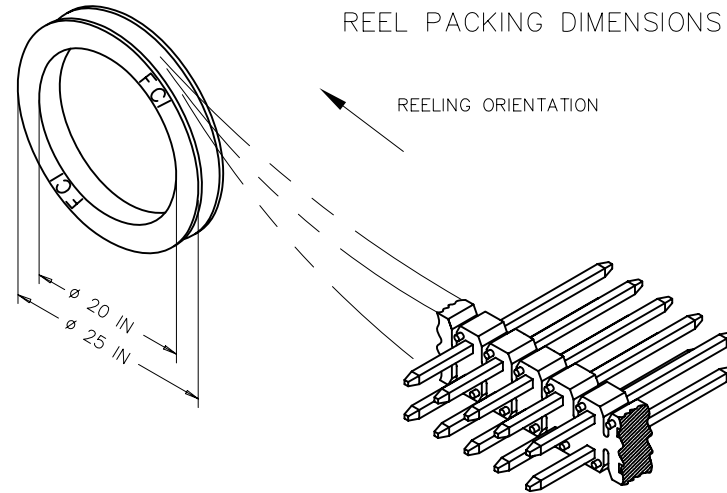
25°±5°
4 SIDES

mat'l. code SEE NOTE 1 & 2		surface ISO 1302 ✓	tolerance ISO 406 ISO 1101	projection INCH/MM	product family BERGSTIK
Ltr	ecn no	dr	date	title	
A	M05-0247	MHT	11/23/05	BERGSTIK® HEADER. D/R	
B	M05-0261	mht	12/20/05	.100/2.54cc STRAIGHT	
C	M06-0271	MHT	7/16/06	scale 1:1	
D	M09-0055	MHT	3/26/09	dr	M.HERNANDEZ 11/04/05
E	N11-0156	J.Z	05/11/11	enr	S. FIERRO 11/04/05
F	ELX-N-19761	J.H	12/17/14	chr	S. FIERRO 11/04/05
G	ELX-N-20014	J.H	01/19/15	appd	S. FIERRO 11/04/05
sheet	revision	G	G	FCJ	
index	sheet	1	2		
dwg no		sheet 1 of 2		size	
10063545				A3	
type		Product Customer Drawing			

PRODUCT NUMBER	TOT. PIN LGTH.		TAIL LENGTH		MATING LENGTH		PACKAGING	CUSTOMER P/N
	DIM F	DIM F	DIM G	DIM G	DIM H	DIM H		
	ENGLISH	METRIC	ENGLISH	METRIC	ENGLISH	METRIC		
10063545-400H	0.645	16.4	0.091	2.30	0.455	11.56	REEL	A0943643Z0000
0063545-400HLF	0.645	16.4	0.091	2.30	0.455	11.56	REEL	A-C731-3340-0-00
0063545-401HLF	0.575	14.6	0.094	2.40	0.38	9.66	REEL	
10063545-440HT	0.938	23.83	0.120	3.05	0.718	18.24	TUBE	

NOTES

- BODY MATERIAL : MANUFACTURER'S OPTION OF LCP
FLAME RETARDANT PER UL94 V-0.
COLOR: BLACK
- PIN MATERIAL : BRASS.
- EVEN NUMBER OF POSITIONS FROM 2 (2X1) THROUGH 72 (2X36)
FOR BERGSTIK. -X00H INDICATES BERGSTRIIP PRODUCT.
FOR SPECIAL GEOMETRY OF THIS CONTINUOUS STRIP PRODUCT.
AUTOMATED REELS WILL CONTAIN 20,000 PINS.
SEE SPECIFIC PART NUMBERS FOR AVAILABILITY.
PACKAGING:
NO INDICATOR IS STANDRD PACKAGED IN POLY BAGS.
THE FIFTEENTH DIGIT PART NUMBERS FOLLOWED BY A "T" ARE PACKAGED IN TUBE.
THE FIFTEENTH DIGIT PART NUMBERS FOLLOWED BY A "A" ARE PACKAGED IN TAPE AND REEL WITH CAP.
- MEASURED WITH PART IN RESTRAINED CONDITION.
- TWO SIDES OF PIN TIPS NOT PLATED. TYPICAL BOTH ENDS.
- 2LBS/0.9KG MIN PIN RETENTION IN EITHER DIRECTION.
- $\pm .010/0.25$ TOL APPLIES TO ALL "G" TAILS EXCEPT INDICATED PARTS ON TABLE WHERE $+ .010/0.25 - .000/0.00$ APPLIES.
- NOTCH CONFIGURATION WILL VARY PER VENDOR'S DISCRETION.
- TAIL LENGTH (DIM. G) TO BE $\pm .010/.0.25$.
- POSITIONS PER ROW 37 TO 50 CAN BE PRODUCED, BUT FLATNESS AND CURVATURE MAY NOT BE HELD AS CLOSE AS 36 POSITIONS.
- TOTAL LENGHT= $.100 [2.54] \times$ NO DE COLUMNS
- ADD "LF" SUFFIX AT THE END OF PART NUMBER FOR LEAD FREE OPTION.



PIN PLATING CODES:	WIRE CODES:
10063545-4YYH	120u"/3.05u MIN 93/7 SnPb OVER 50u"/1.27u MIN Ni
10063545-4YYHLF	120u"/3.05u MIN TIN OVER 50u"/1.27u MIN Ni

mat'l. code	surface	tolerance	projection	product family
SEE NOTE 1 & 2	ISO 1302 ✓	ISO 406	ISO 1101	BERGSTIK
ltr	ecn no	dr	date	title
G				BERGSTIK® HEADER. D/R
	angles	linear	INCH/MM	.100/2.54cc STRAIGHT
	0°±2'	XXX±.01/XX±0.3	scale 1:1	
	dr	M.HERNANDEZ	11/04/05	dwg no
	enrg	S. FIERRO	11/04/05	sheet 2 of 2
	chr	S. FIERRO	11/04/05	size
	appd	S. FIERRO	11/04/05	10063545
sheet index	revision sheet			A3
				type Product Customer Drawing