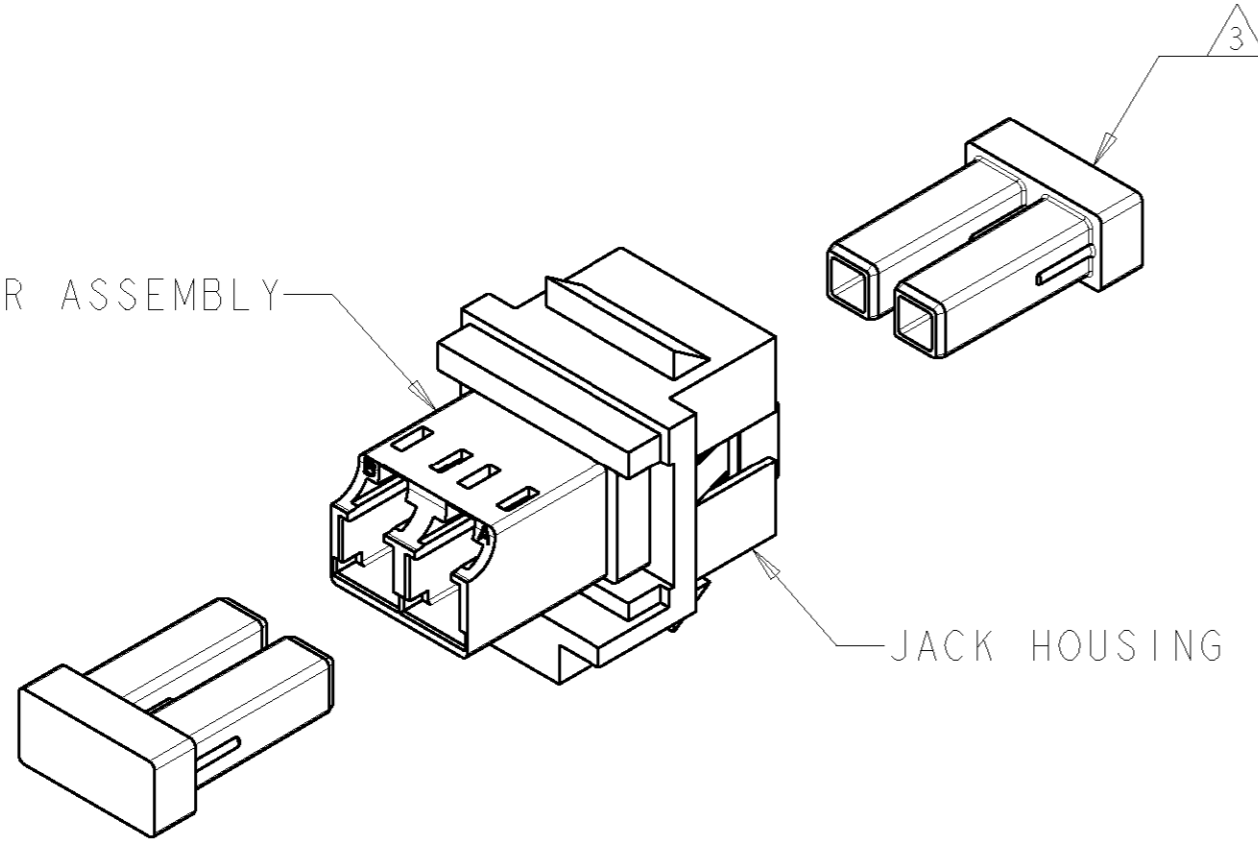


THIS DRAWING IS UNPUBLISHED. RELEASED FOR PUBLICATION 20
 © COPYRIGHT 20 BY TYCO ELECTRONICS CORPORATION. ALL RIGHTS RESERVED.

LOC	DIST	REVISIONS					
HM	00	P	LTR	DESCRIPTION	DATE	DWN	APVD
			A	NSD06-126	17NOV2006	JM	GB

DUPLEX LC ADAPTER ASSEMBLY

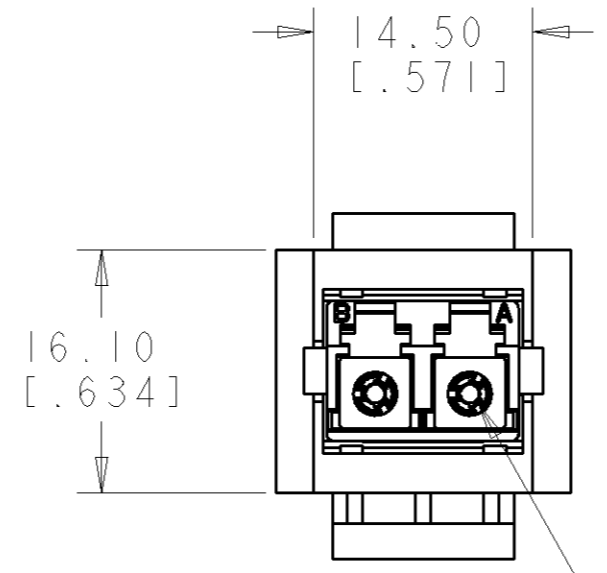
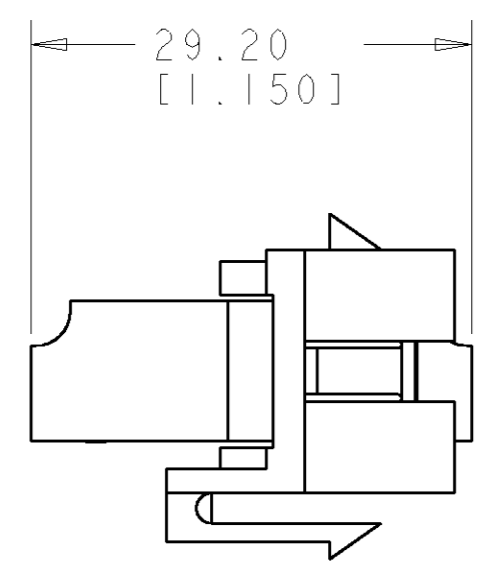


JACK HOUSING

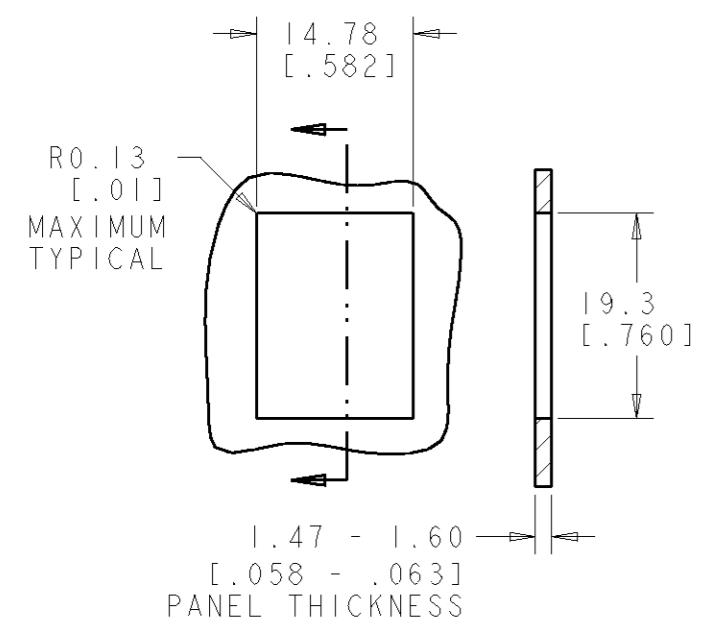
△1 MATERIAL:
 JACK HOUSING:- ABS HIGH IMPACT UL94V-0
 MOLDING COMPOUND. COLOR- LIGHT ALMOND.
 LC DUPLEX ADAPTER ASSEMBLY:
 HOUSING- POLYETHERIMIDE 94V-0,
 COLOR- BEIGE
 RETENTION CLIPS: STAINLESS STEEL

△2 THESE TWO SUGGESTED CUTOUT OPENINGS
 ARE USED IN TANDEM WITH DUAL FRONT AND
 BACK CUTOUTS.

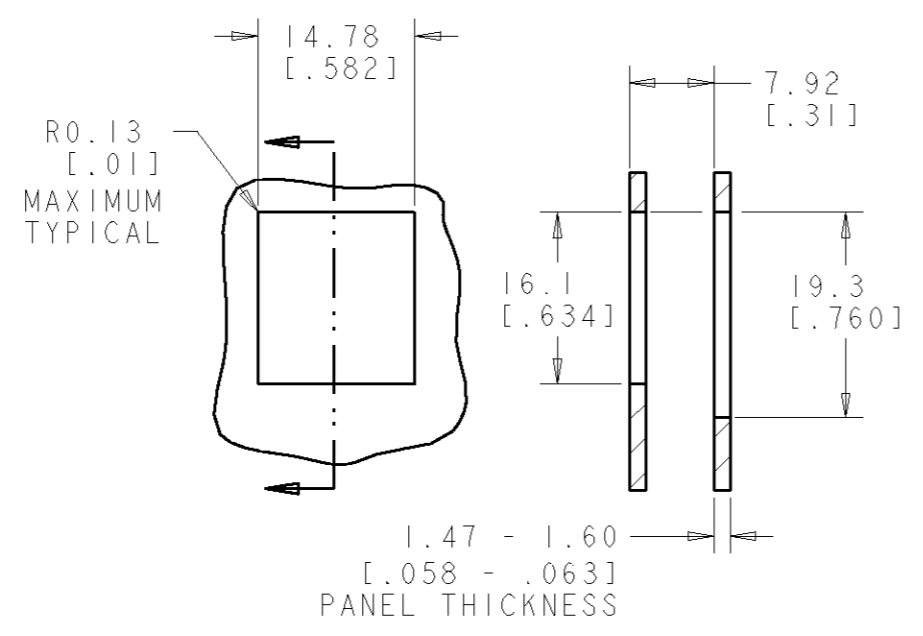
△3 DUST PLUGS SHOWN NOT ASSEMBLED BUT
 COME ASSEMBLED TO DUPLEX LC ADAPTER.



ALIGNMENT SIEVE
 CERAMIC



SINGLE PANEL CUTOUT



SUGGESTED FLUSH MOUNT
 PANEL APPLICATION CUTOUT △2

1933174-1
 PART NUMBER

THIS DRAWING IS A CONTROLLED DOCUMENT FOR TYCO ELECTRONICS CORPORATION IT IS SUBJECT TO CHANGE AND THE CONTROLLING ENGINEERING ORGANIZATION SHOULD BE CONTACTED FOR THE LATEST REVISION.		DWN J MCNEAL 17NOV2006	Tyco Electronics Harrisburg, PA 17105-3608	
DIMENSIONS: MM [INCHES]		CHK G BOWMAN 17NOV2006	NAME DUPLEX, LC ADAPTER, MULTIMODE, KL SERIES	
TOLERANCES UNLESS OTHERWISE SPECIFIED:		APVD G BOWMAN 17NOV2006	PRODUCT SPEC -	
0 PLC ±	1 PLC ±	APPLICATION SPEC -	SIZE A2	CAGE CODE 00779
2 PLC ±	3 PLC ±	WEIGHT -	DRAWING NO 1933174	RESTRICTED TO -
4 PLC ±	ANGLES ±	CUSTOMER DRAWING	SCALE	SHEET OF REV A
MATERIAL △1 -	FINISH -			