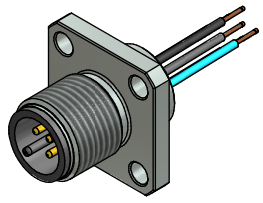
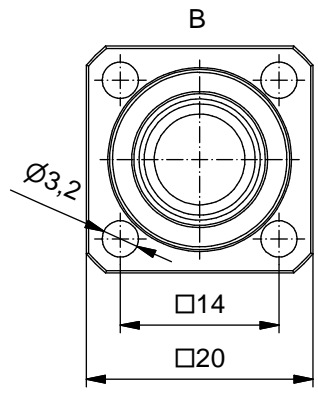


Technical specification:

Rated voltage: IEC 61076-2-101	60 V
Current rating: IEC 61076-2-101	4 A at 40°C
Insulation resistance: IEC 60512	>=100 MΩ
Pollution degree: IEC 60664-1	3/2
Degree of protection: IEC 60529	IP 67, in mated condition
Temperature range:	-30°C ... +80°C
Mating cycles: IEC 60512-9a	>=100
Materials:	
Contact:	CuZn
Contact plating:	Nickel, gold plated
Contact carrier:	PBT GF, UL 94
Sealing:	FPM
Socket housing:	CuZn, nickel plated
Grouting:	Polyurethane-resin, UL 94

Contact assignment:

- 1 brown
- 2 white
- 3 blue
- 4 black
- 5 grey



Part no:	Description:	Pos	Length L:	Wire:
43-02092	SAL-12-FSVO5.1-0,5-20	5	0,5m	AWG 24 PVC, UL
43-xxxxx	SAL-12-FSVO5.1- ... -20	5	x	

DO NOT ALTER CAD DRAWING BY HAND Directive 2002/95/EC RoHS compliant	Index: a 04.07.13 fro Ä4728 position sealing changed	dim. in mm	title: Male socket M12x1 with wire, with square and sealing									
	<table border="1" style="width: 100%; border-collapse: collapse;"> <thead> <tr> <th></th> <th>date</th> <th>name</th> </tr> </thead> <tbody> <tr> <td>drawn</td> <td>06.11.12</td> <td>Gitinow</td> </tr> <tr> <td>appd.</td> <td>12.11.12</td> <td>Fromm</td> </tr> </tbody> </table>				date	name	drawn	06.11.12	Gitinow	appd.	12.11.12	Fromm
		date	name									
	drawn	06.11.12	Gitinow									
appd.	12.11.12	Fromm										
tolerance of wire: L <= 0,5m: L + 20mm L > 0,5m: L + 4%	<div style="font-size: 1.5em; font-weight: bold; text-align: center;">CONEC®</div>		part no: see table									
general tolerance: 0 ± 0,50mm 0,0 ± 0,25mm 0,00 ± 0,10mm	THIS DRAWING MAY NOT BE COPIED OR REPRODUCED IN ANY WAY, AND MAY NOT BE PASSED ON TO A THIRD PARTY WITHOUT WRITTEN PERMISSION. OWNERSHIP AND COPYRIGHT OF CONEC GmbH											