

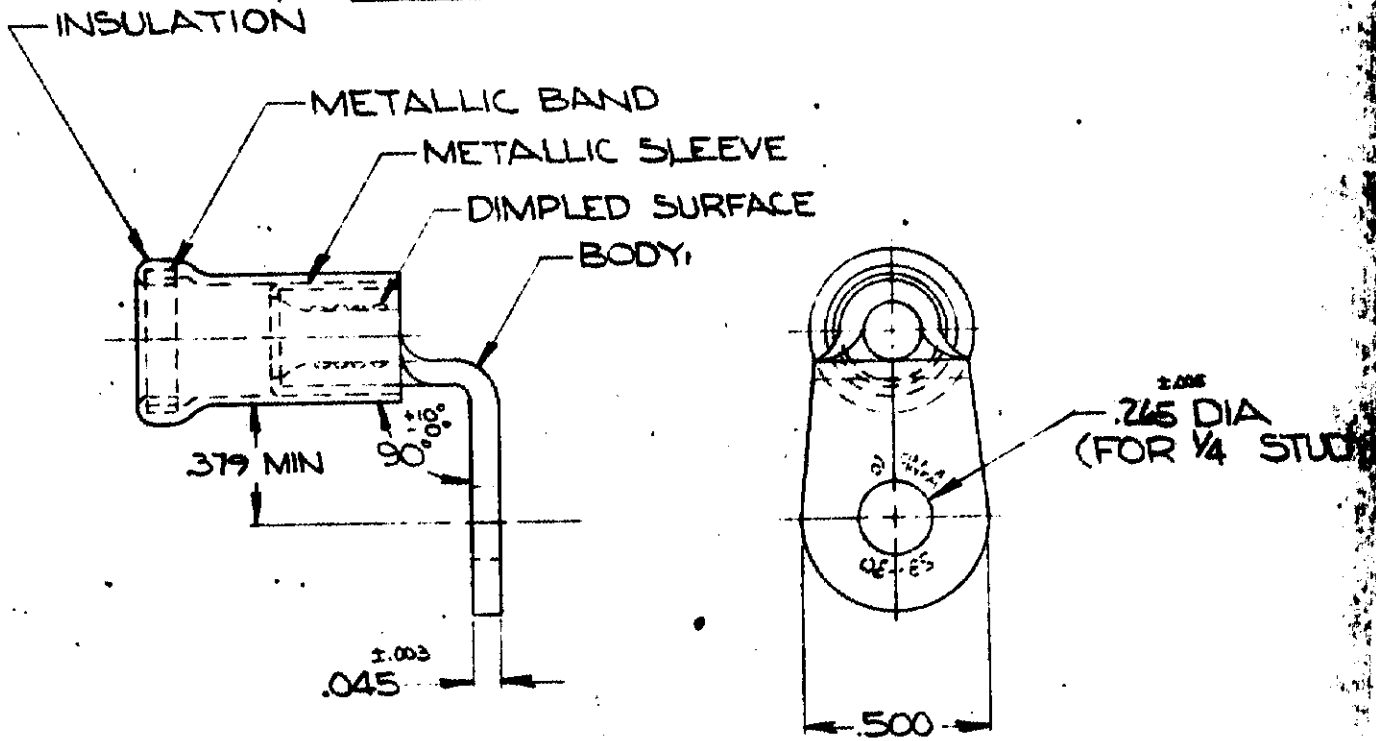
DRAWING MADE IN AMERICAN PROJECTION

G 14

© 1965 BY AMP INCORPORATED. ALL RIGHTS RESERVED. AMP PRODUCTS COVERED BY PATENTS AND/OR PATENTS PENDING.

REVISIONS

LTR	DESCRIPTION	DATE	APPROVED
B	REDRAW & REVISED PC-5563	LE 1-5-70	<i>[Signature]</i>
C	REV G-4680	MS 5-5-88	JT



FOR .377 MAX WIRE INS. DIA

WIRE TERMINAL	322888	BODY: COPPER (QQ-C-576)
		TIN PL (MIL-T-10727)
		INSULATION: PVC COLOR BLUE
		METALLIC SLEEVE: COPPER (QQ-C-576)
MATERIAL & FINISH		METALLIC BAND: STEEL QQ-S-698 (ASTM A109)
QTY	DESCRIPTION	PART NO.
UNLESS OTHERWISE SPECIFIED DIMENSIONS ARE IN INCHES		CONTRACT NO.
TOLERANCES ON:		DR. <i>[Signature]</i> 11-10-69
DECIMALS ±.008		CHK <i>[Signature]</i> 1-5-70
ANGLES ± 30		APPR <i>[Signature]</i> Swabel 1-6-70
MATERIAL	SEE TABLE	RED <i>[Signature]</i> 1-7-70
OTHER APPD		DSGN APPD
AMP		AMP INCORPORATED HARRISBURG, PENNSYLVANIA
NAME		WIRE TERMINAL
SIZE		AMPLI-BOND-RING TONGUE-BENT 90°
CODE IDENT NO.		WIRE SIZE: #6
NUMBER		322888
SCALE		NTS
SHEET		1 OF 1