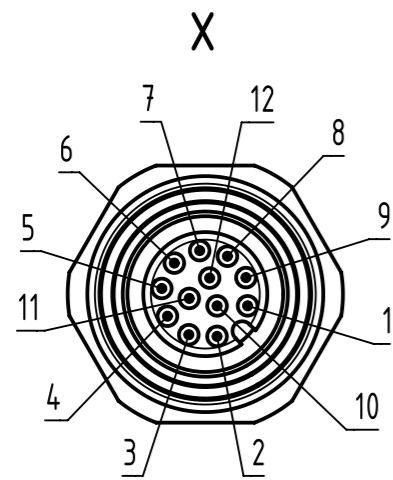


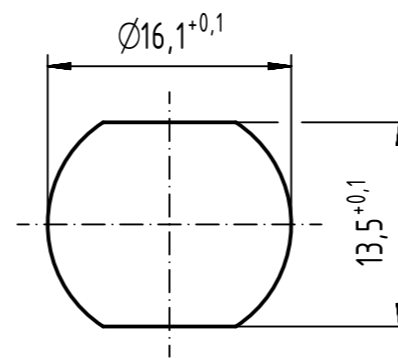
M12 A-coded 12-pole, female PFT front mounting connector



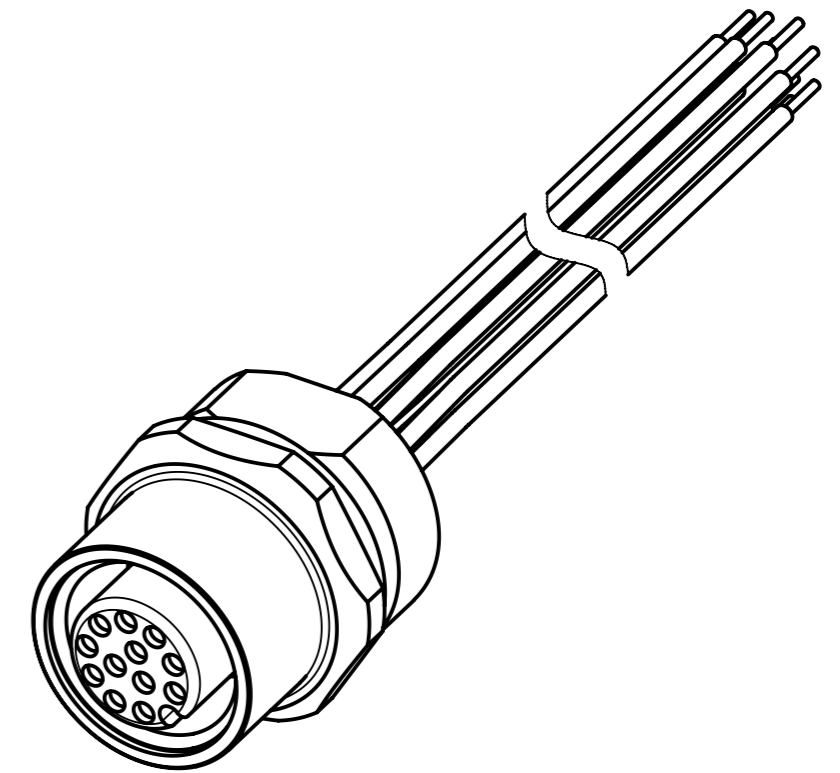
Loading-Plan:

- 1 brown
- 2 blue
- 3 white
- 4 green
- 5 pink
- 6 yellow
- 7 black
- 8 grey
- 9 red
- 10 violet
- 11 grey-pink
- 12 red-blue

Recommended panel cut-out



Minimum wall thickness 1.5mm



- Protection level: IP67  
 - Temperature range: -30°C ... +80°C

1	21033532C00	AWG 26, PVC	0.5
Cont. No.	Part - no.	Type of cable	Dim. a[m]

	All rights reserved		Scale 2:1		Free size tol.		Ref.	
	Department EC PD - RO		Created by TAMAS	Inspected by AVRAM	Standardisation HOFFMANN	Date 2014-08-25	State Final Release	
HARTING Electronics GmbH D-32339 Espelkamp			Title M12 A-coded Cable Assembly			Doc-Key / ECM-Nr. 100586969/UGD/009/B 50000079096		
			Type TB	Number 21033532CXX		Rev. B	Page 1/1	